

OKI

C5300/C5100 Color LED Page Printer

Technical Reference

ODA/OEL/INT

2003-03-14 Rev.2

History of Revision

Rev.No.	Date	Corrected items			Person in charge
		No.	Page	Description of change	
1	2003-02-20			Issue	CN45 Hatakeyama
2	2003-03-14				CN45 Hatakeyama

CONTENTS

1.	CIRCUIT DIAGRAM	4
2.	COMPONENT PARTS LIST	70

1. CIRCUIT DIAGRAM

Figure 1-1(1/10~10/10)	Print Engine Controller PWB (RSN Rev.5)	(41903401)
Figure 1-2(1/2~2/2)	Driver PWB (RSM Rev.3)	(41938801)
Figure 1-3(1/4~4/4)	Option Control PWB (V7X Rev.1)	(41768408)
Figure 1-4(1/4~4/4)	Duplex Control PWB (V7X Rev.1)	(41768409)
Figure 1-5(1/1)	Control Panel PWB (RSP Rev.3)	(41938501)
Figure 1-6(1/1)	Toner Low Sensor PWB (PRD Rev.3)	(41903701)
Figure 1-7(1/1)	Entrance Sensor PWB (RSF Rev.3)	(41938601)
Figure 1-8(1/2~2/2)	Color Registration Sensor PWB (Z71 Rev.1)	(41206401)
Figure 1-9(1/25~25/25)	Main Controller PWB (OWL Rev.1)	(41964401)
Figure 1-10(1/15~15/15)	Main Controller PWB (ARC Rev.1)	(41939101)

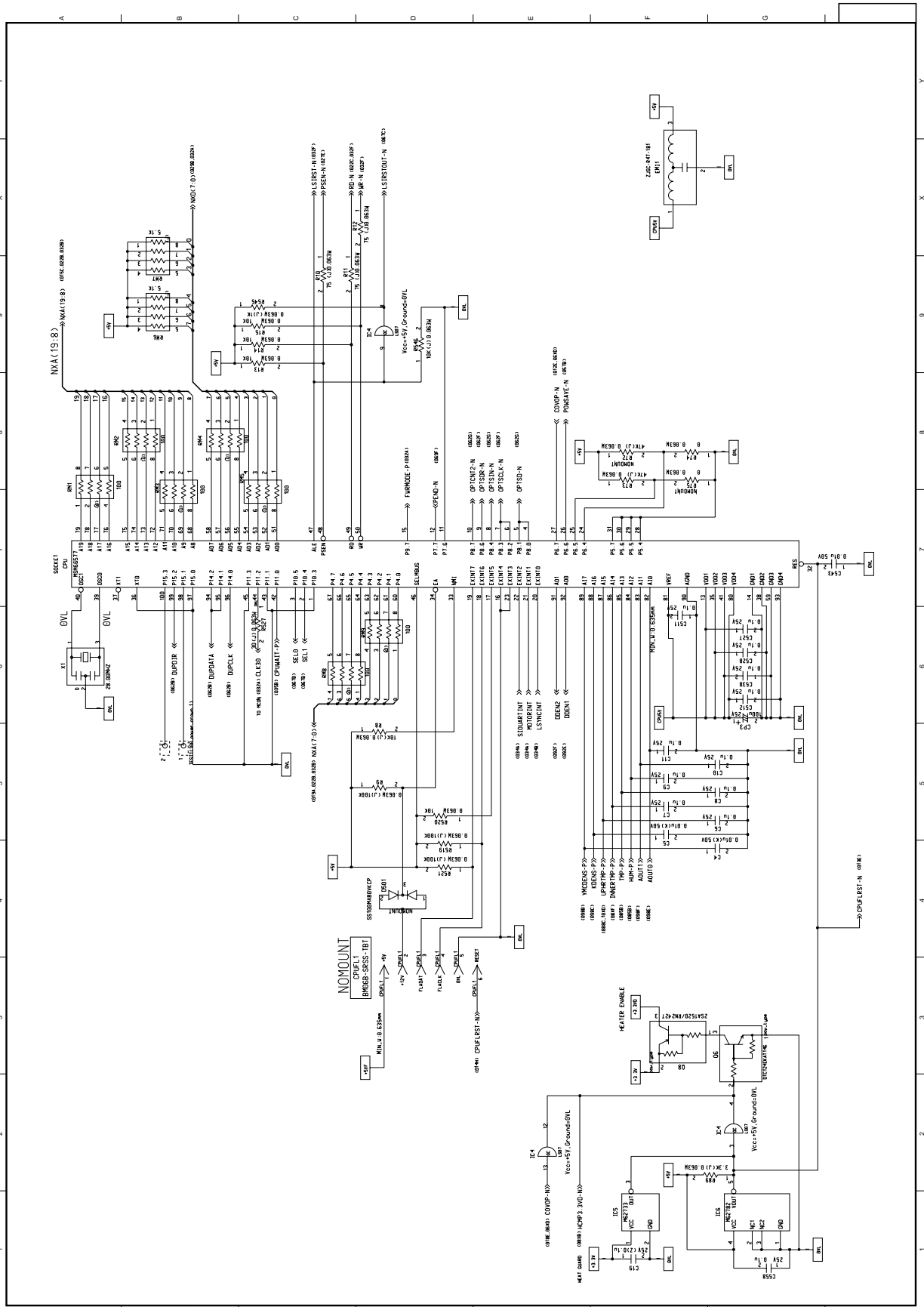


Figure 1-1 Print Engine Controller PWB (RSN Rev.5) (1/10)

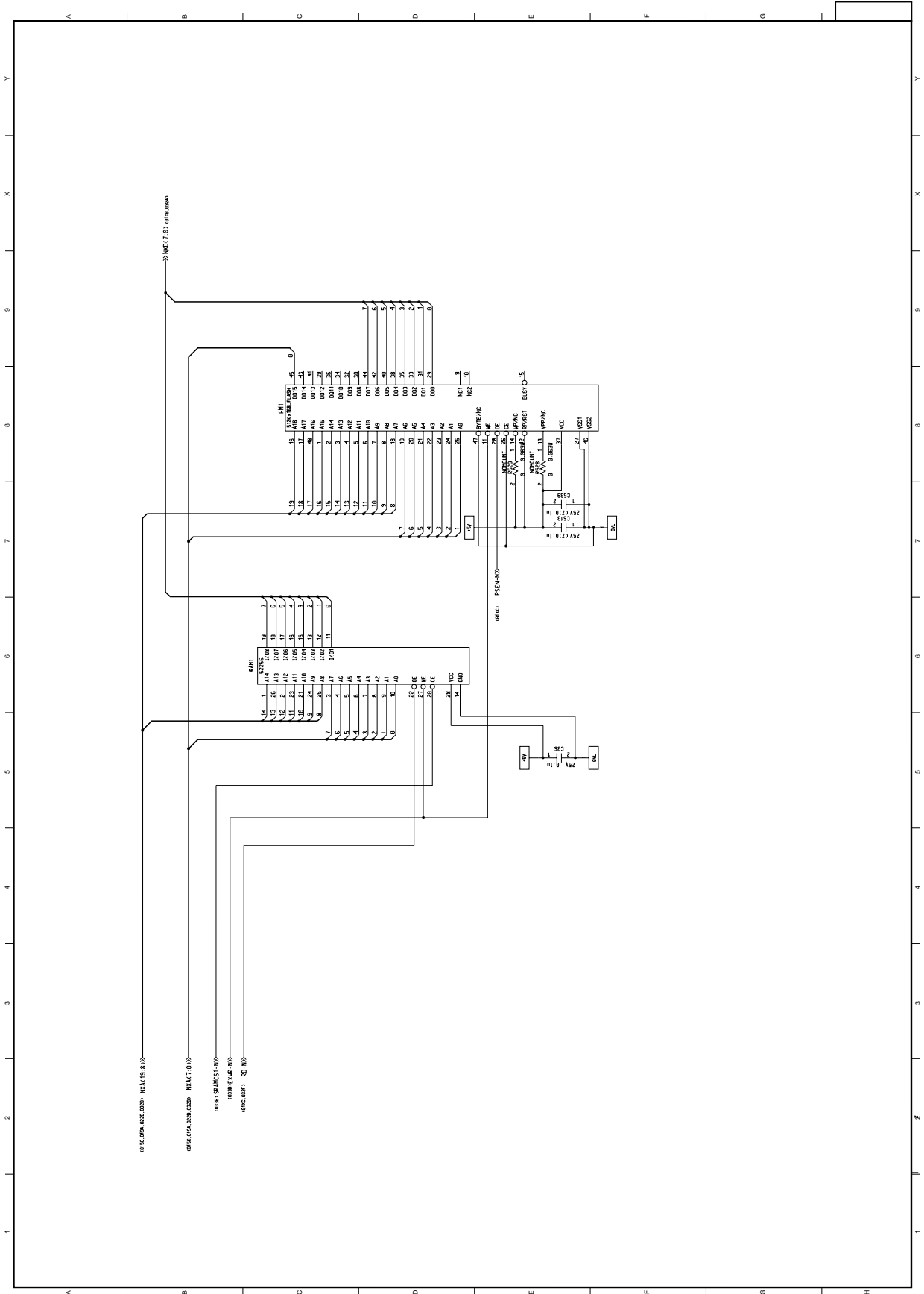


Figure 1-1 Print Engine Controller PWB (RSN Rev.5) (2/10)

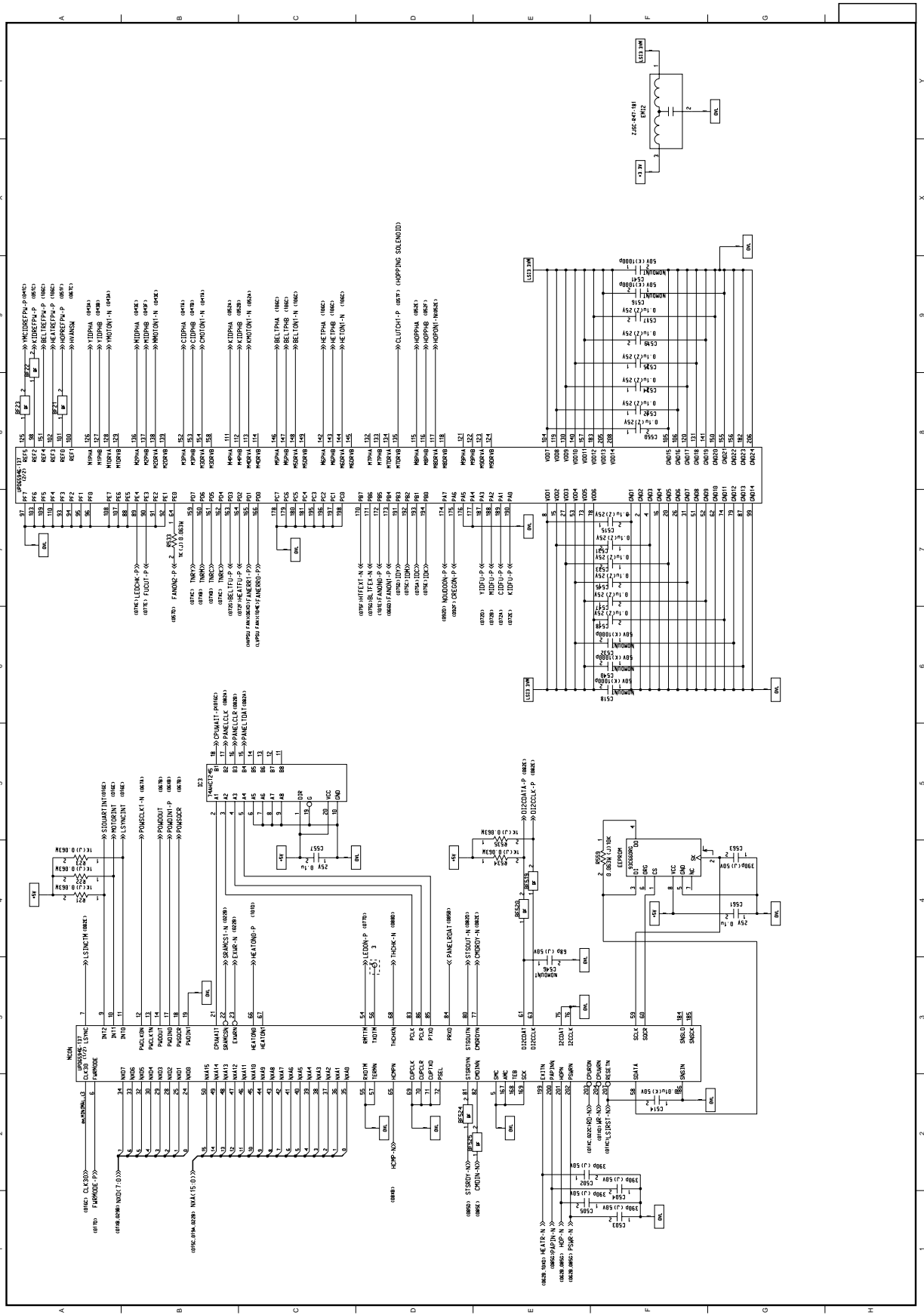


Figure 1-1 Print Engine Controller PWB (RSN Rev.5) (3/10)

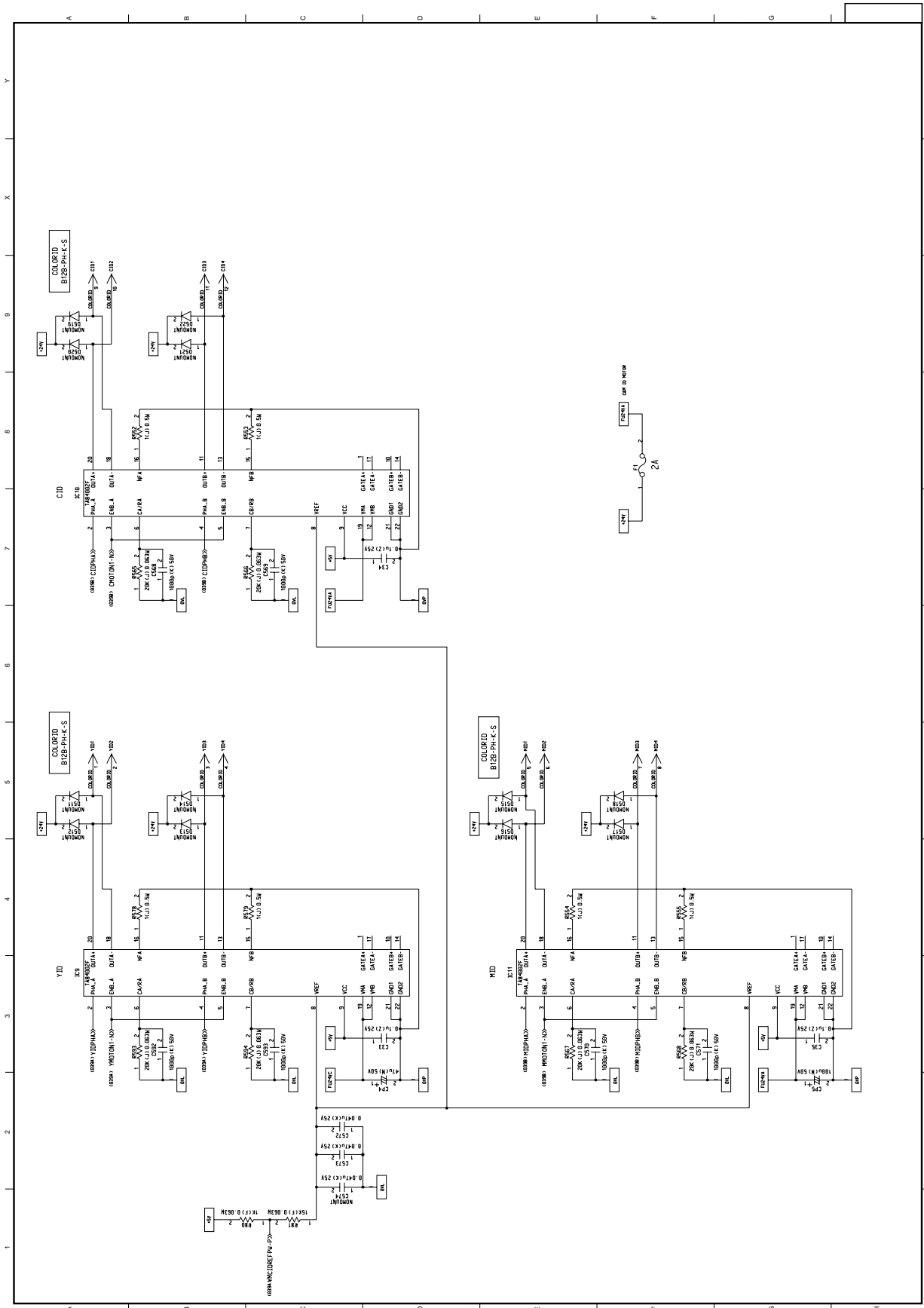


Figure 1-1 Print Engine Controller PWB (RSN Rev.5) (4/10)

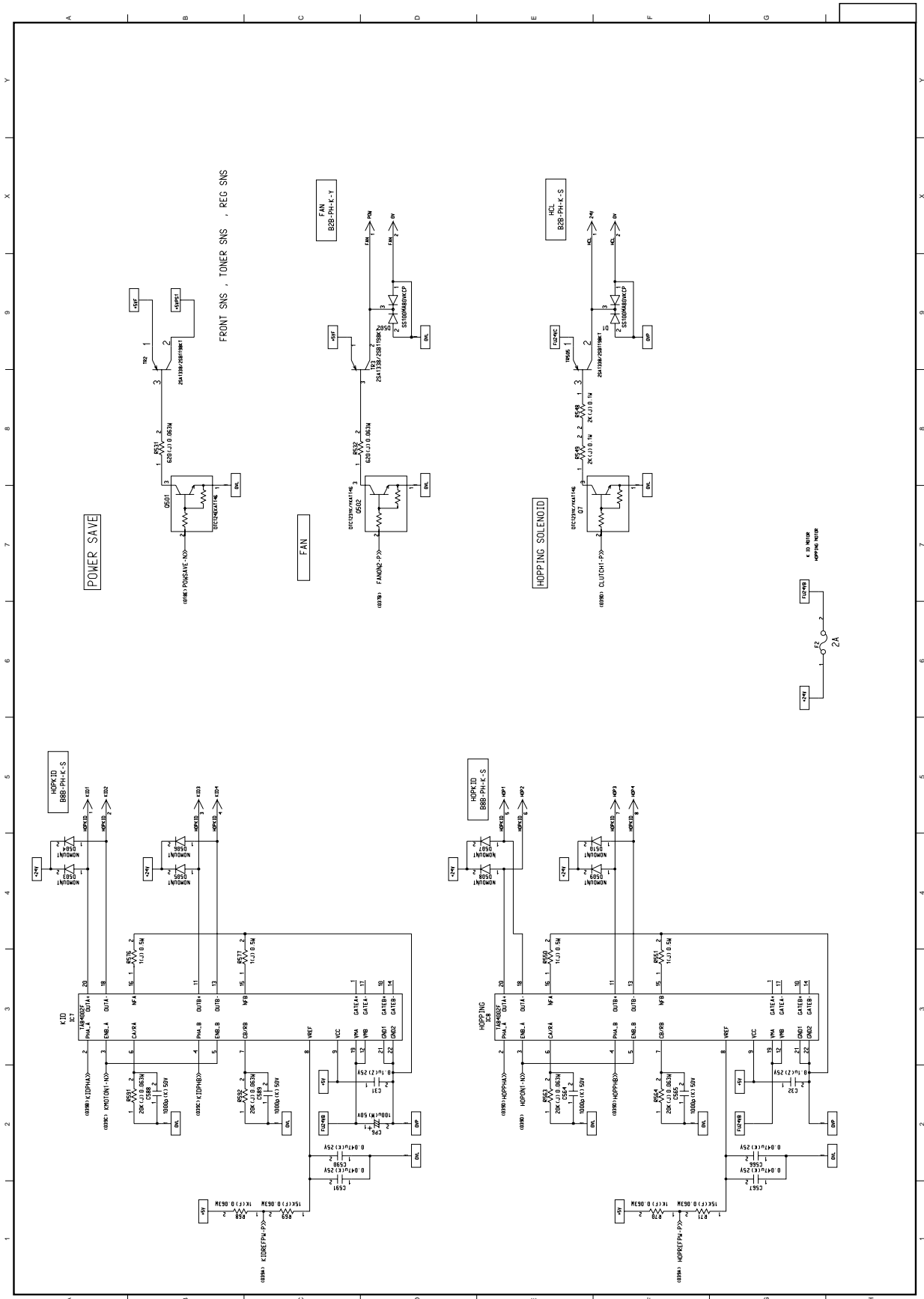


Figure 1-1 Print Engine Controller PWB (RSN Rev.5) (5/10)

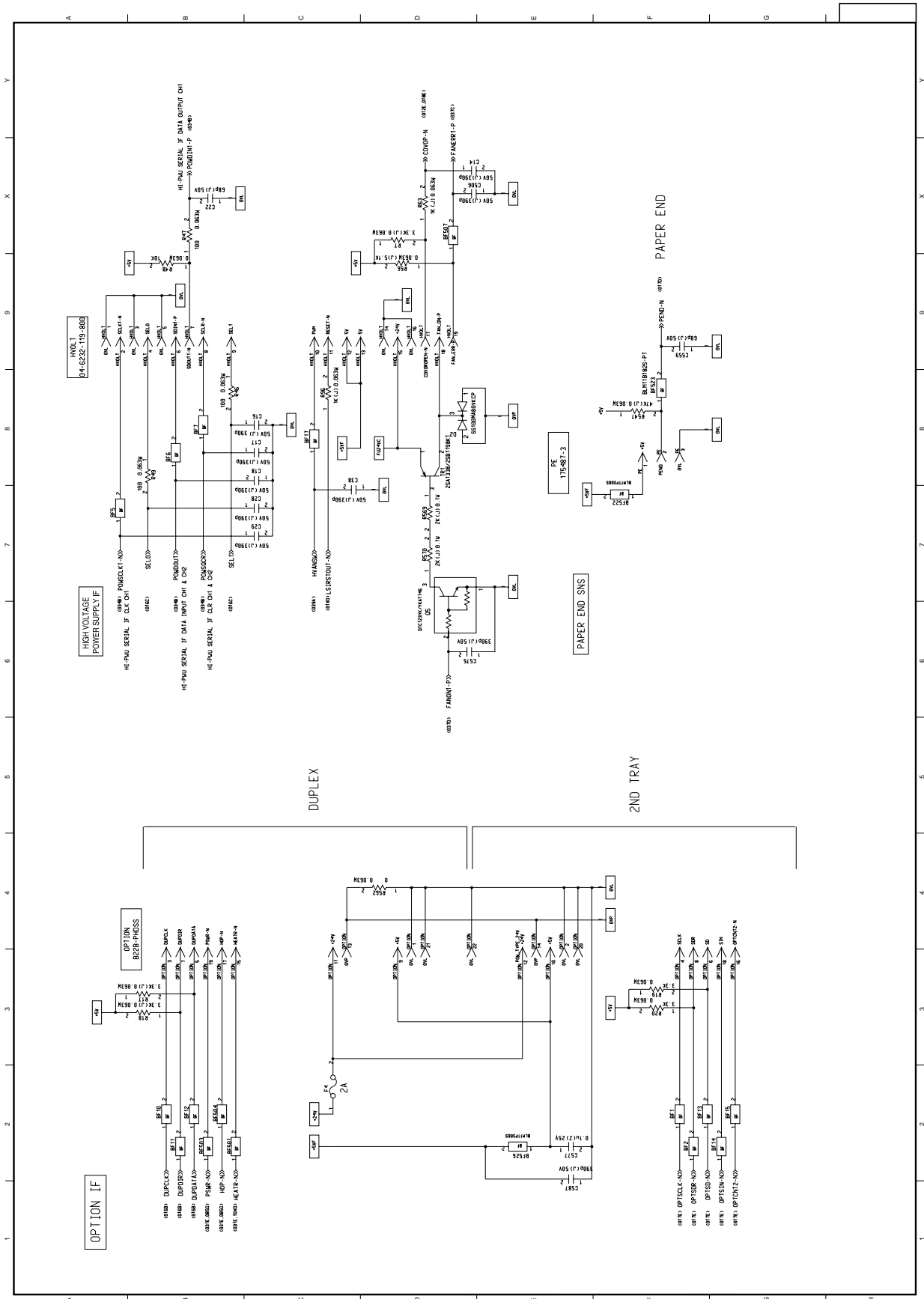


Figure 1-1 Print Engine Controller PWB (RSN Rev.5) (6/10)

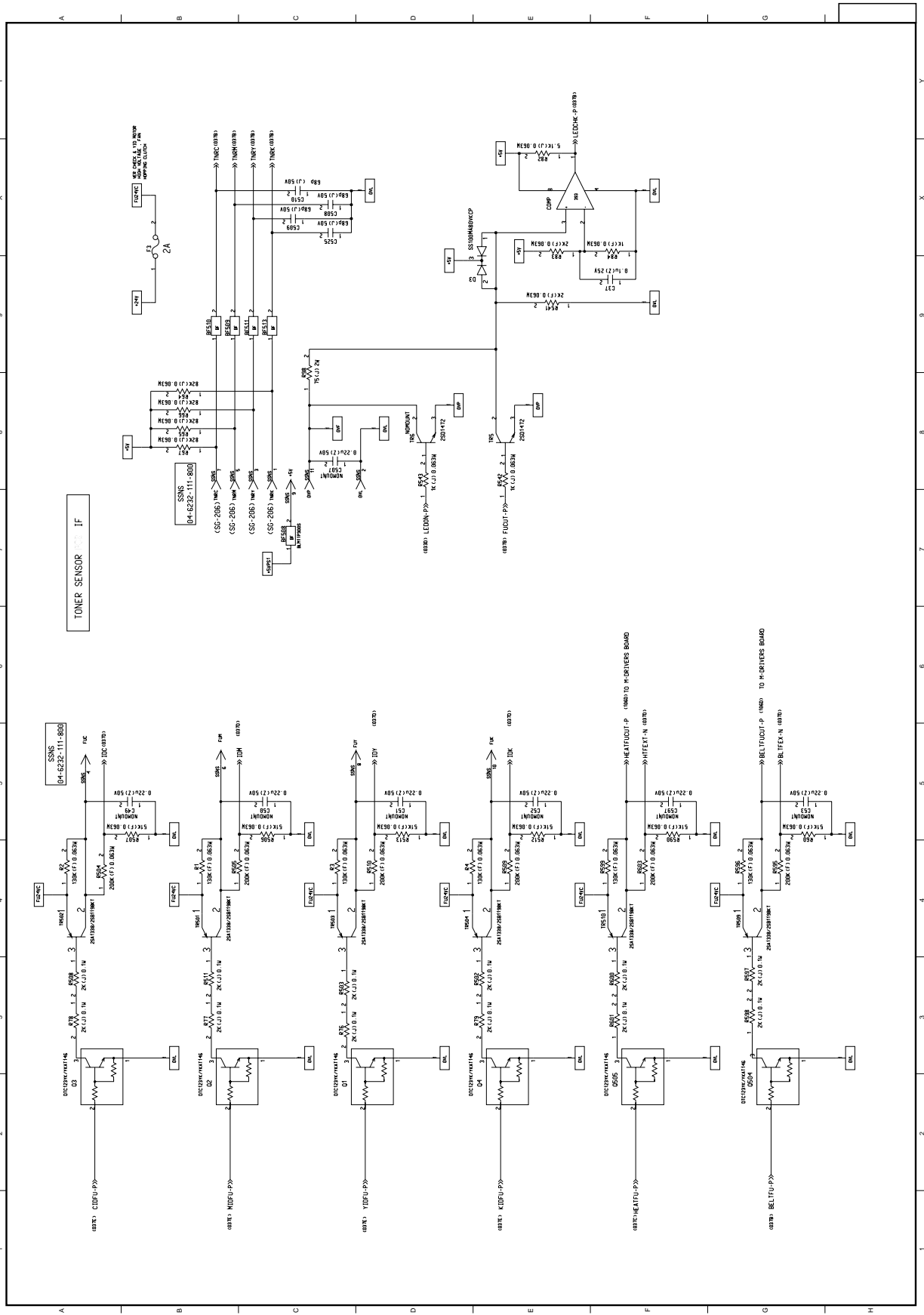


Figure 1-1 Print Engine Controller PWB (RSN Rev.5) (7/10)

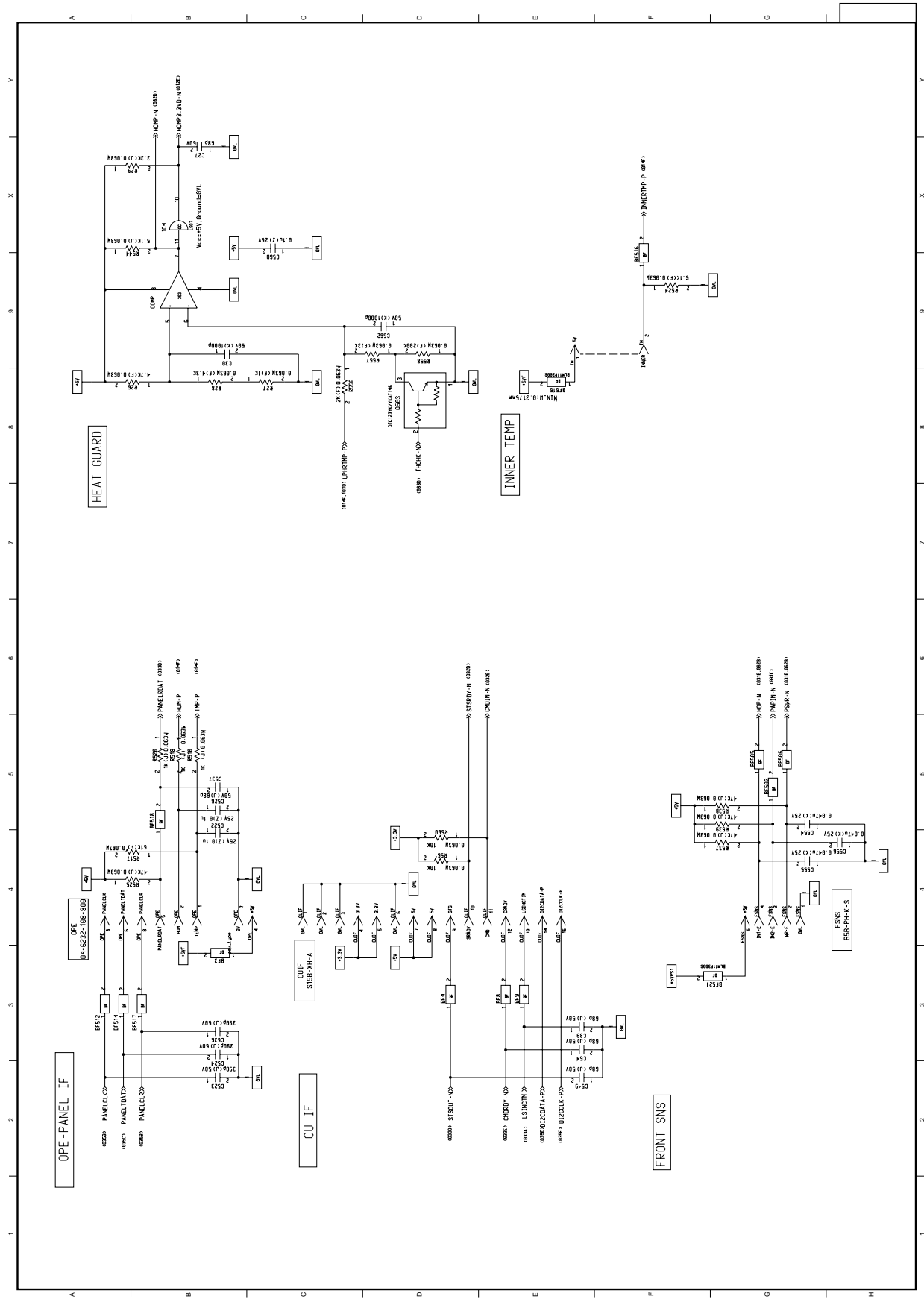


Figure 1-1 Print Engine Controller PWB (RSN Rev.5) (8/10)

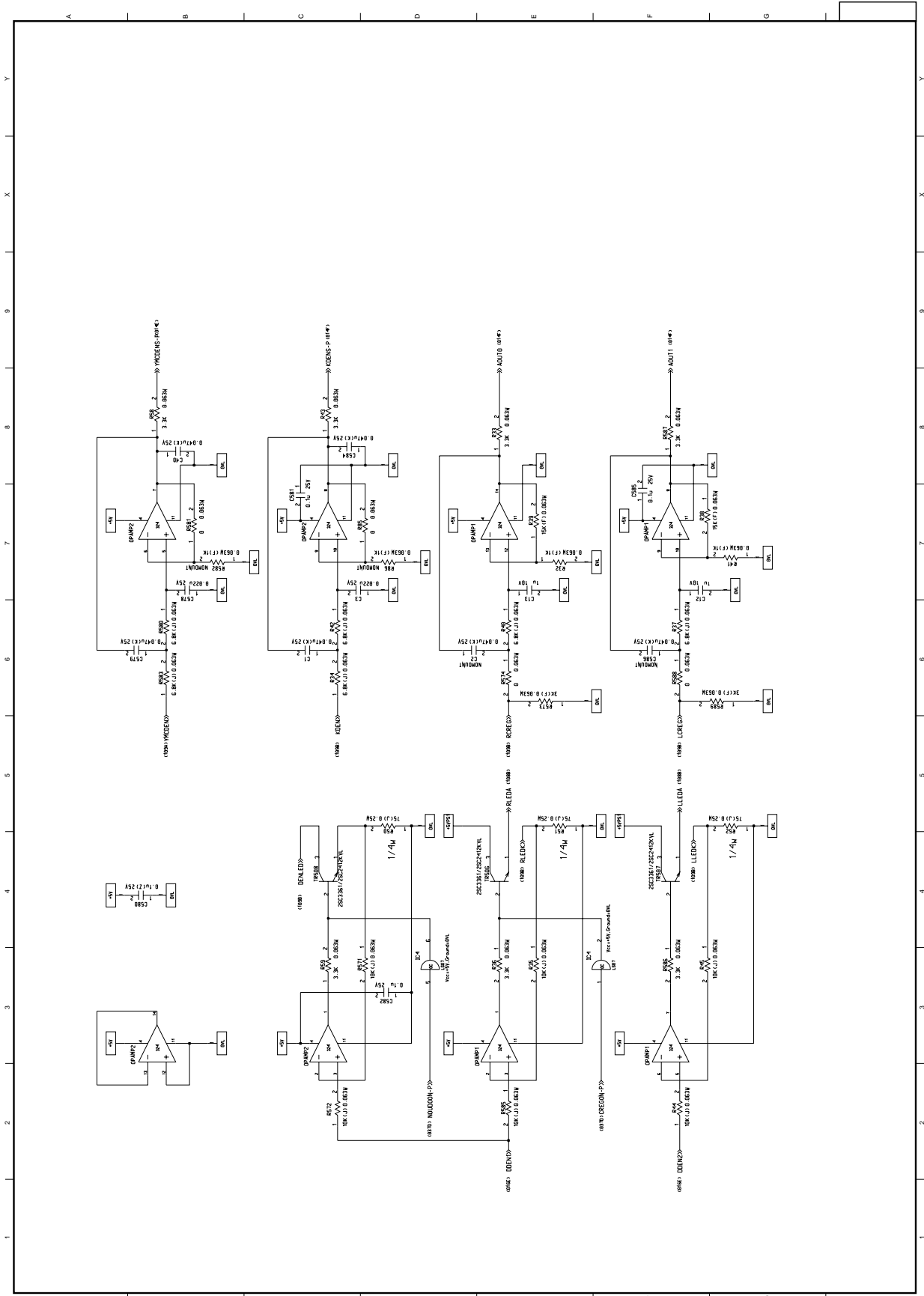


Figure 1-1 Print Engine Controller PWB (RSN Rev.5) (9/10)

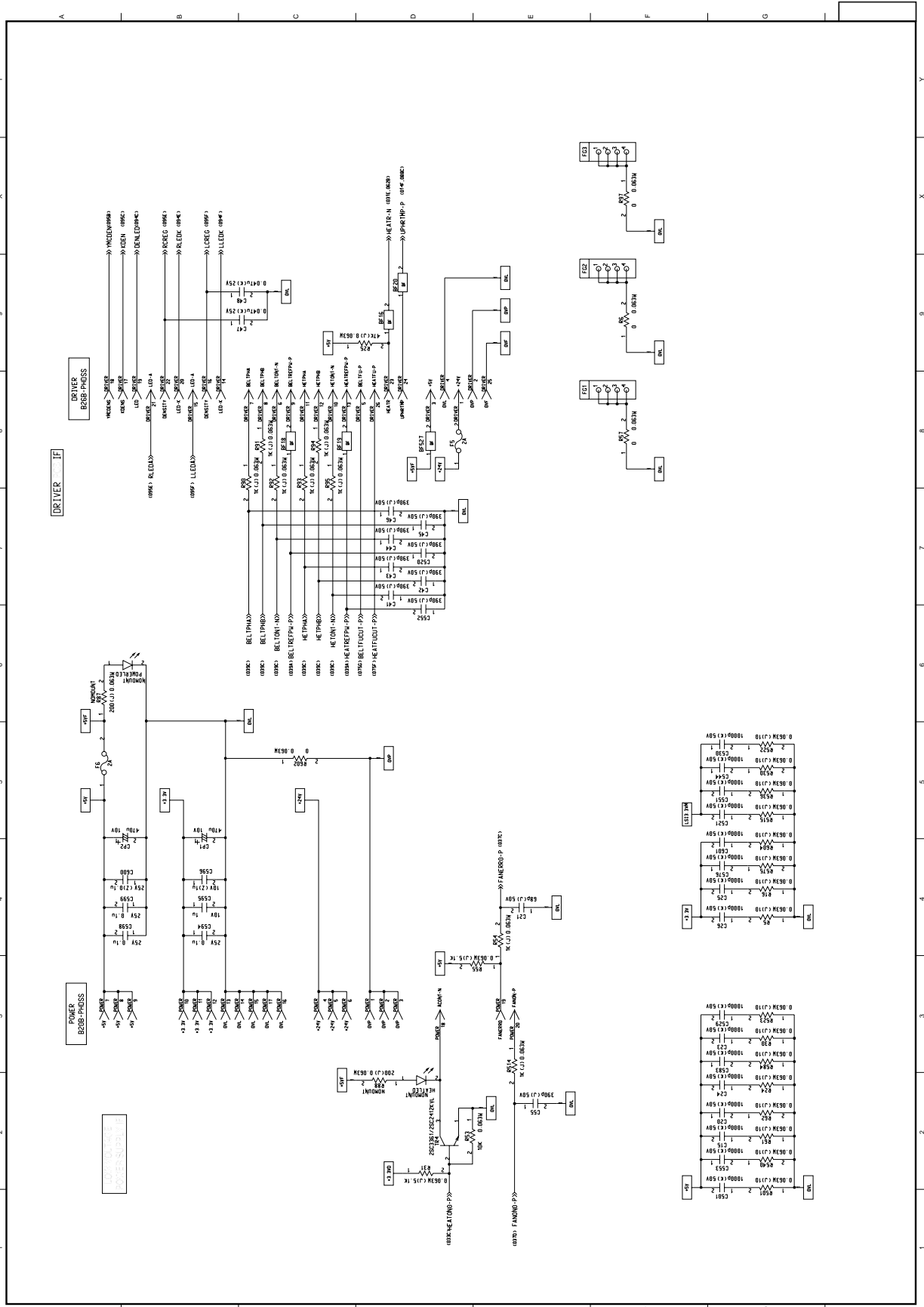


Figure 1-1 Print Engine Controller PWB (RSN Rev.5) (10/10)

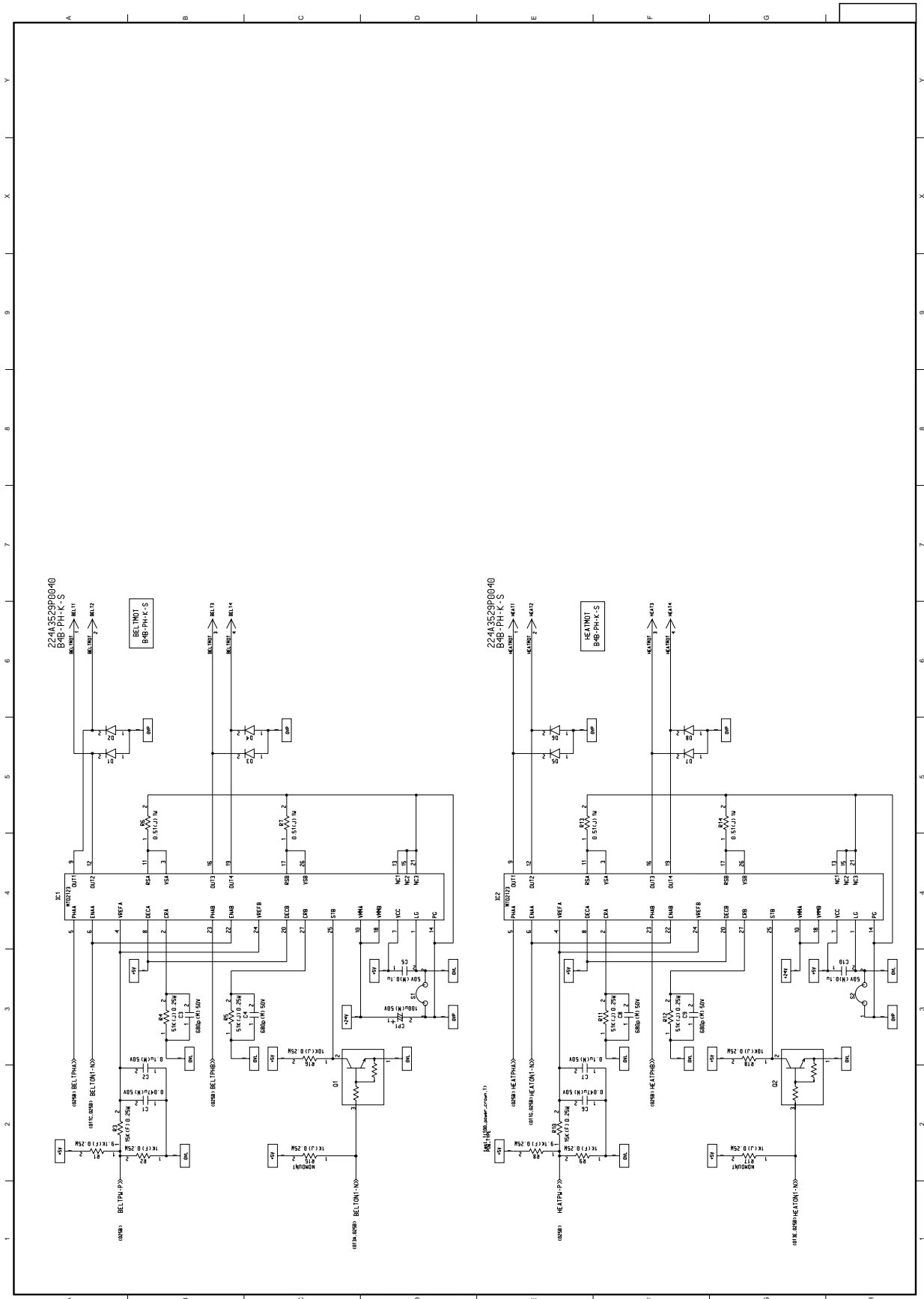


Figure 1-2 Driver PWB (RSM Rev.3) (1/2)

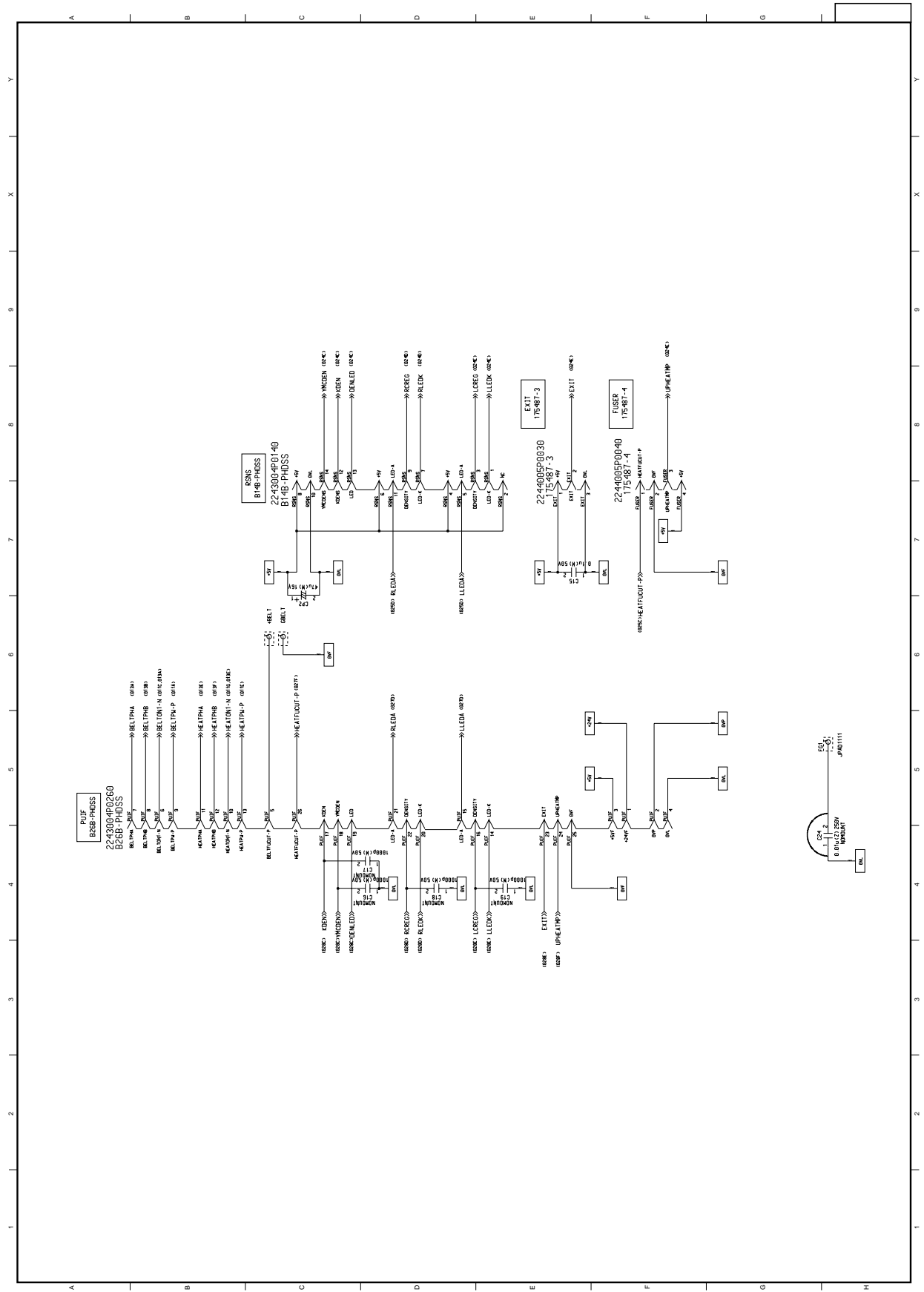


Figure 1-2 Driver PWB (RSM Rev.3) (2/2)

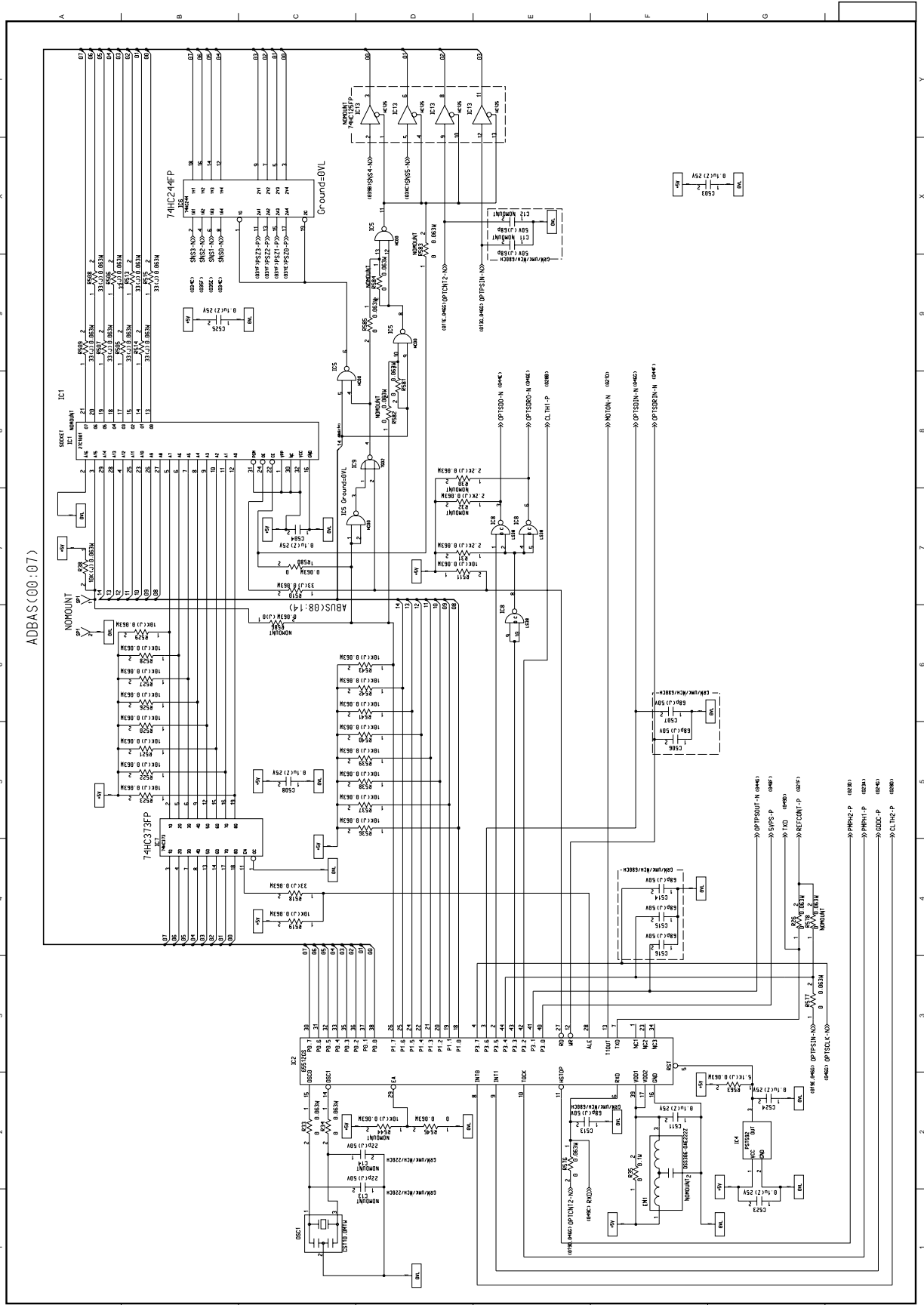


Figure 1-3 Option Control PWB (V7X Rev.1) (1/4)

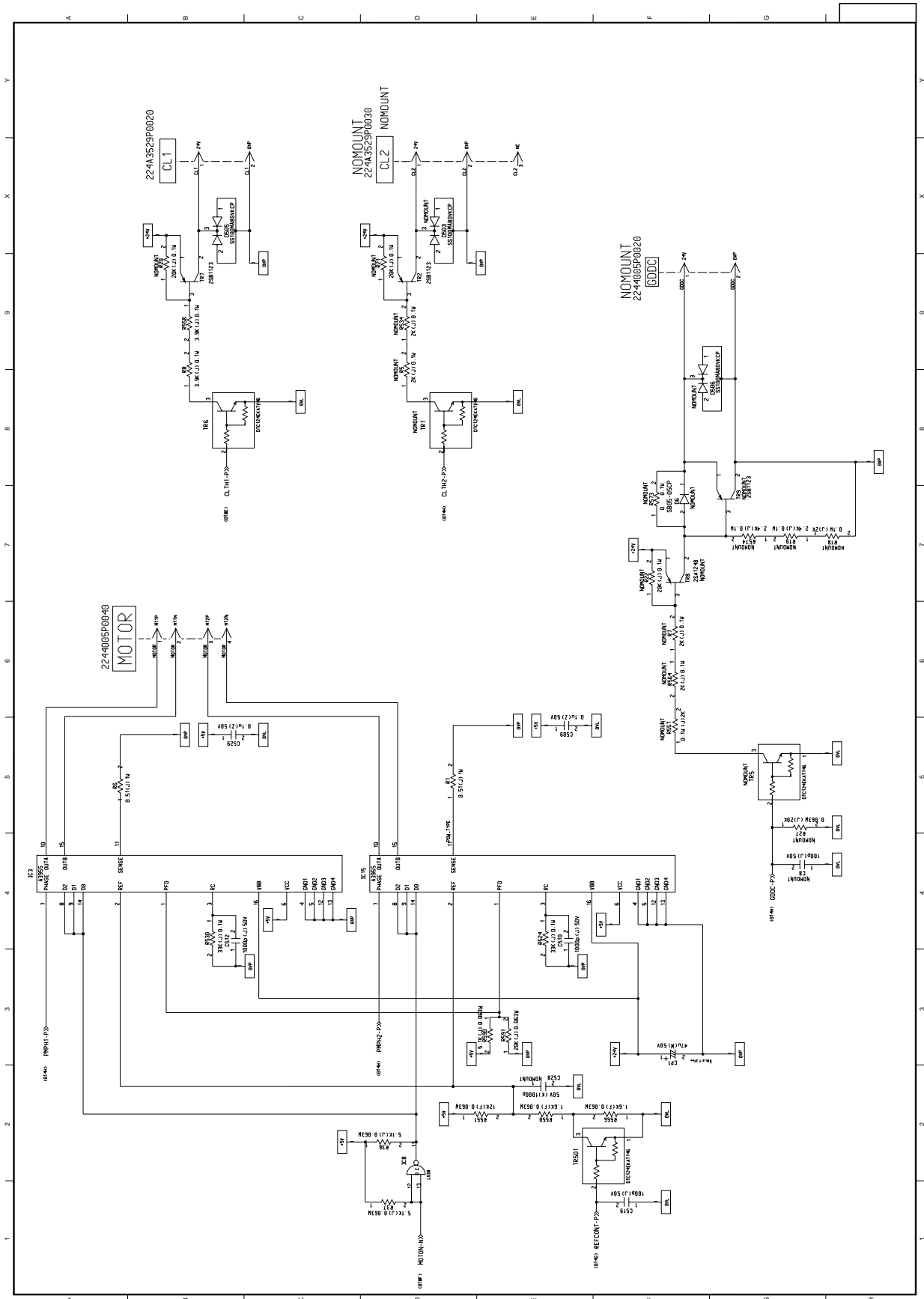


Figure 1-3 Option Control PWB (V7X Rev.1) (2/4)

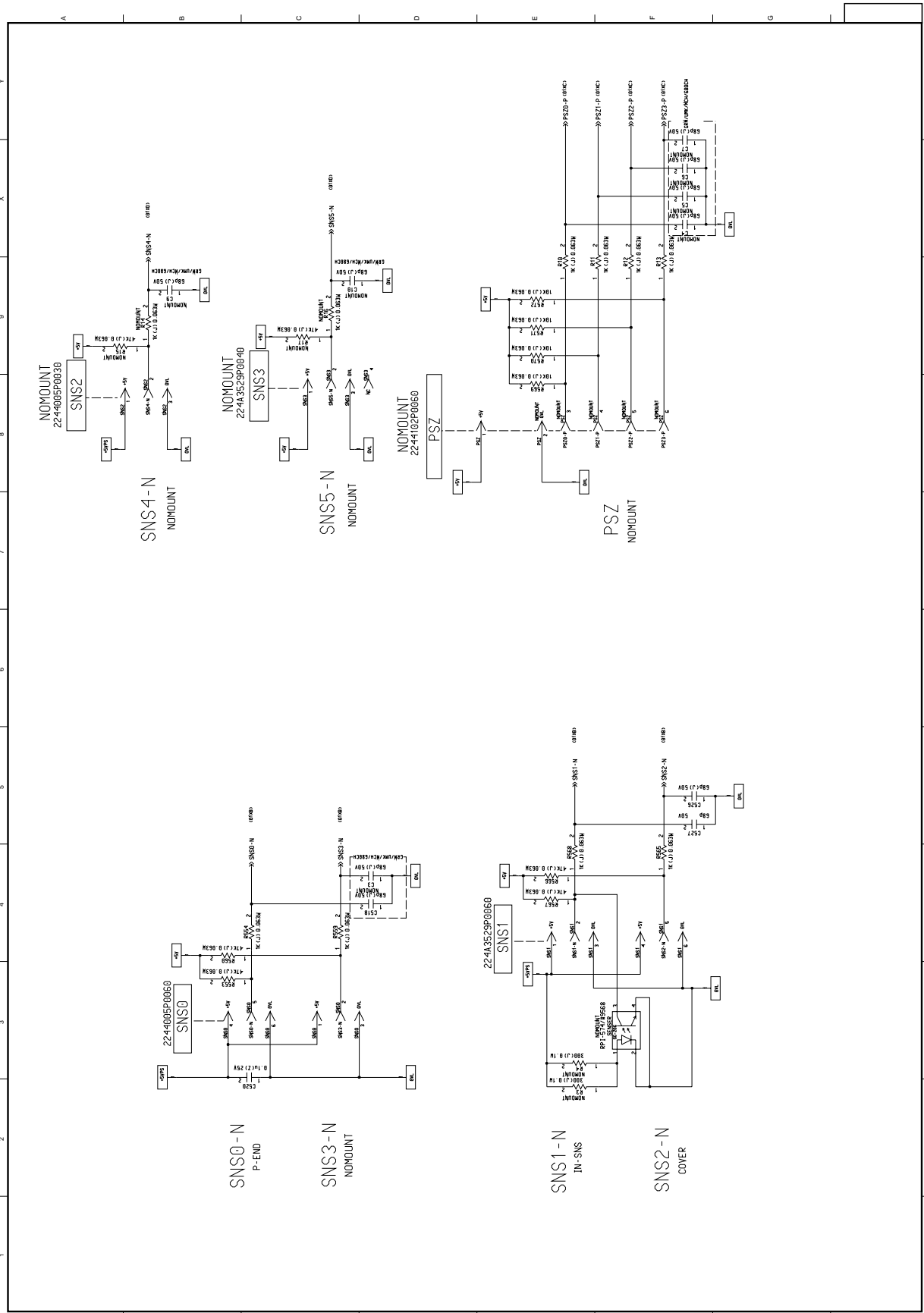


Figure 1-3 Option Control PWB (V7X Rev.1) (3/4)

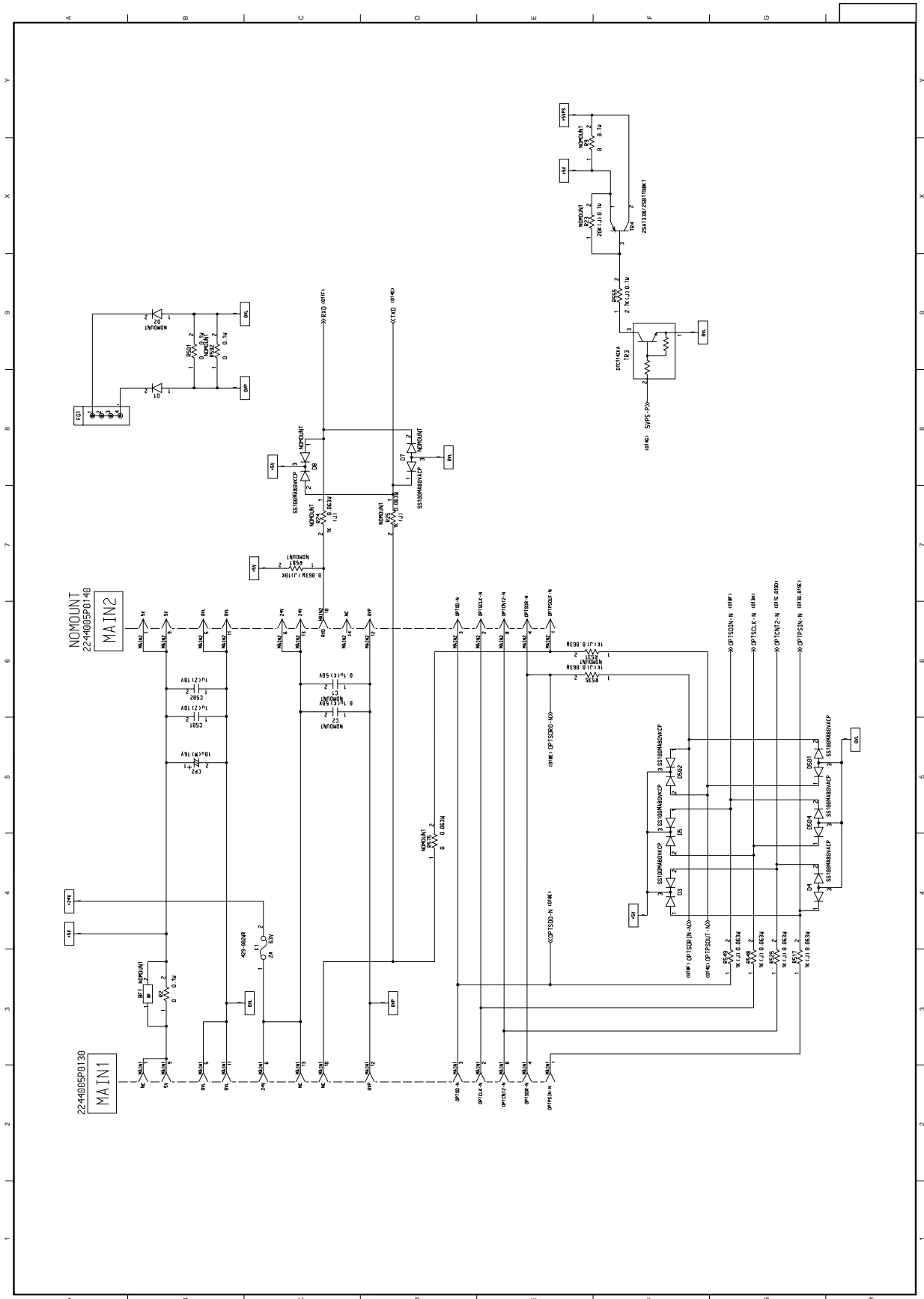


Figure 1-3 Option Control PWB (V7X Rev.1) (4/4)

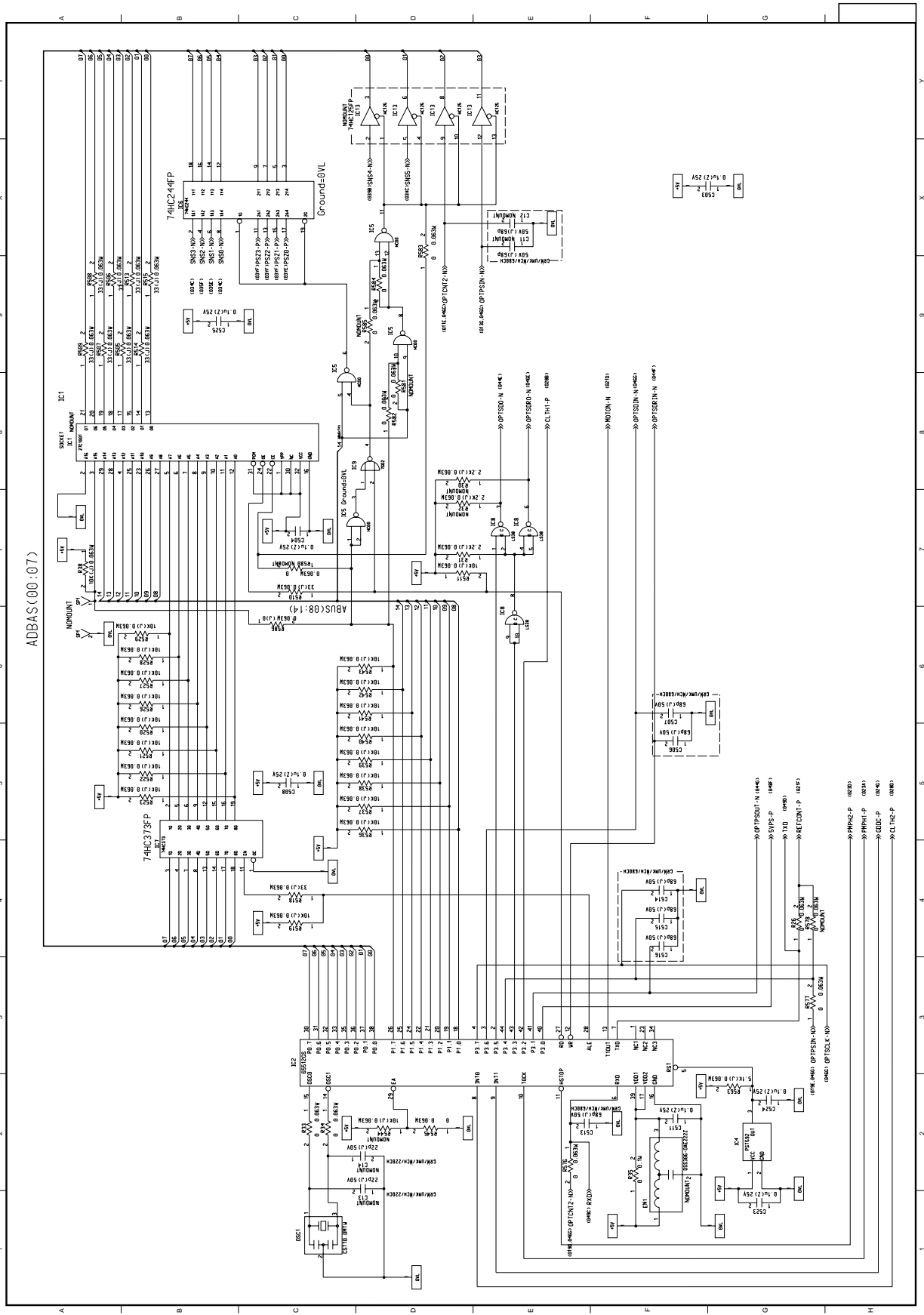


Figure 1-4 Duplex Control PWB (V7X Rev.1) (1/4)

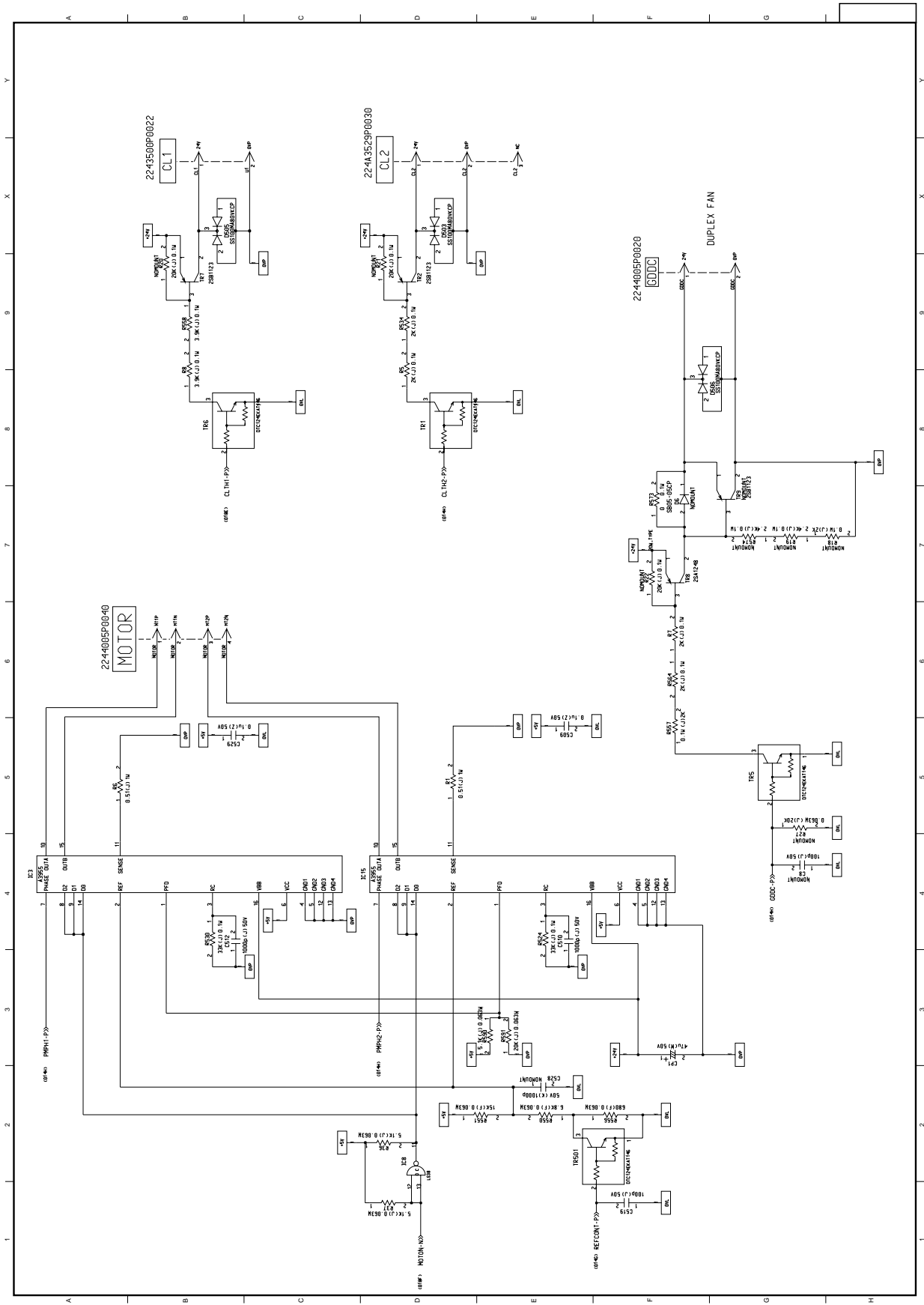


Figure 1-4 Duplex Control PWB (V7X Rev.1) (2/4)

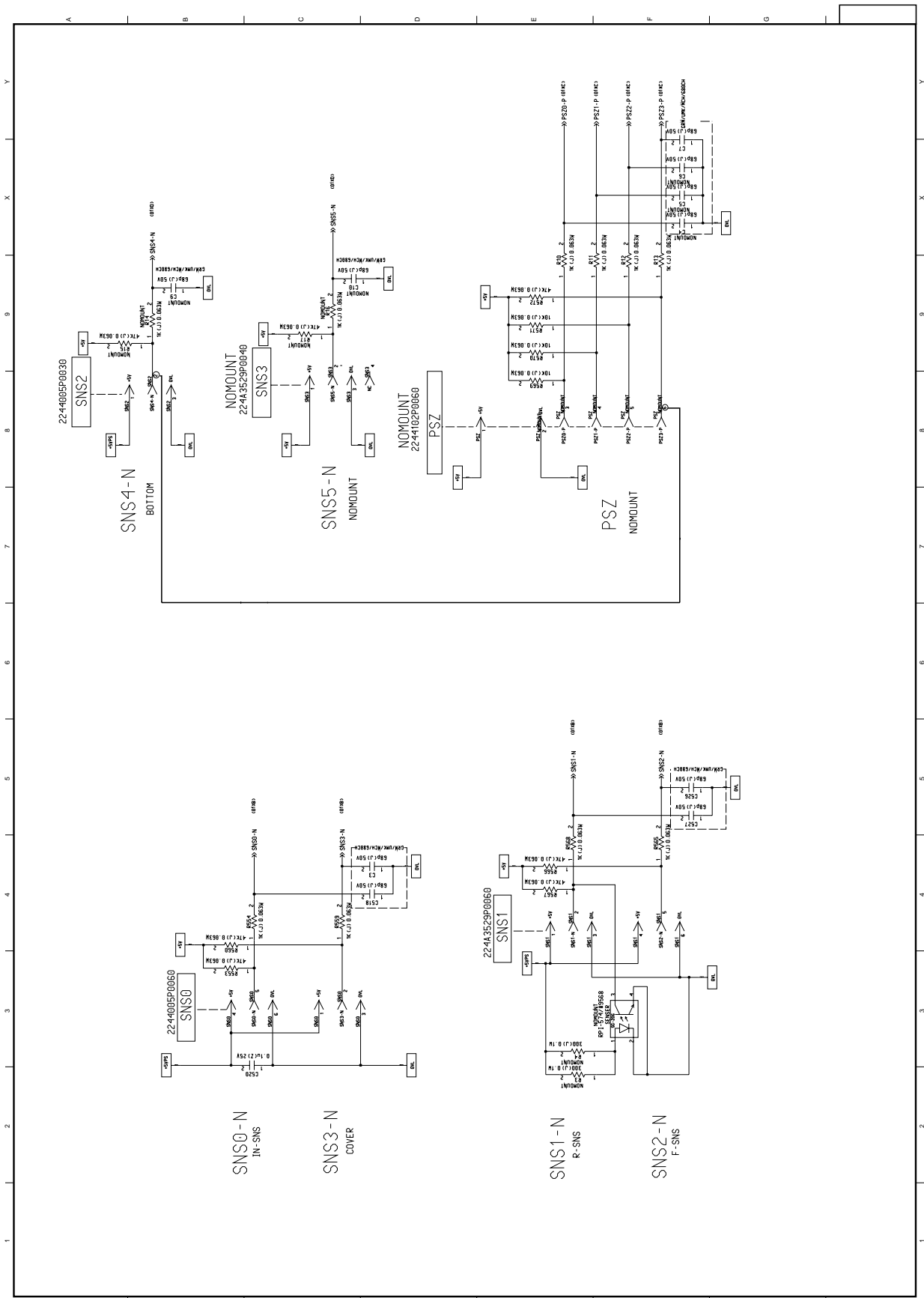


Figure 1-4 Duplex Control PWB (V7X Rev.1) (3/4)

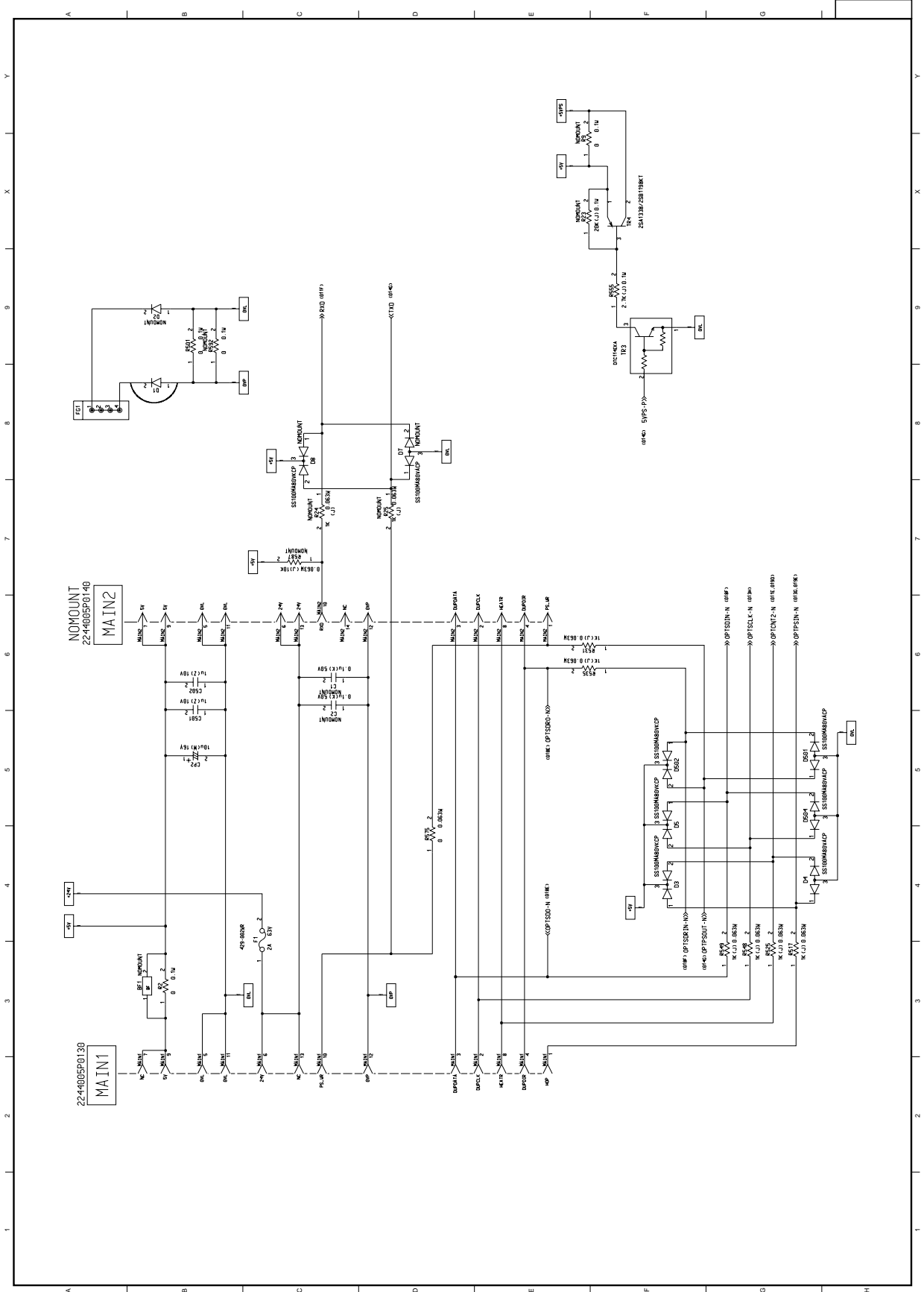


Figure 1-4 Duplex Control PWB (V7X Rev.1) (4/4)

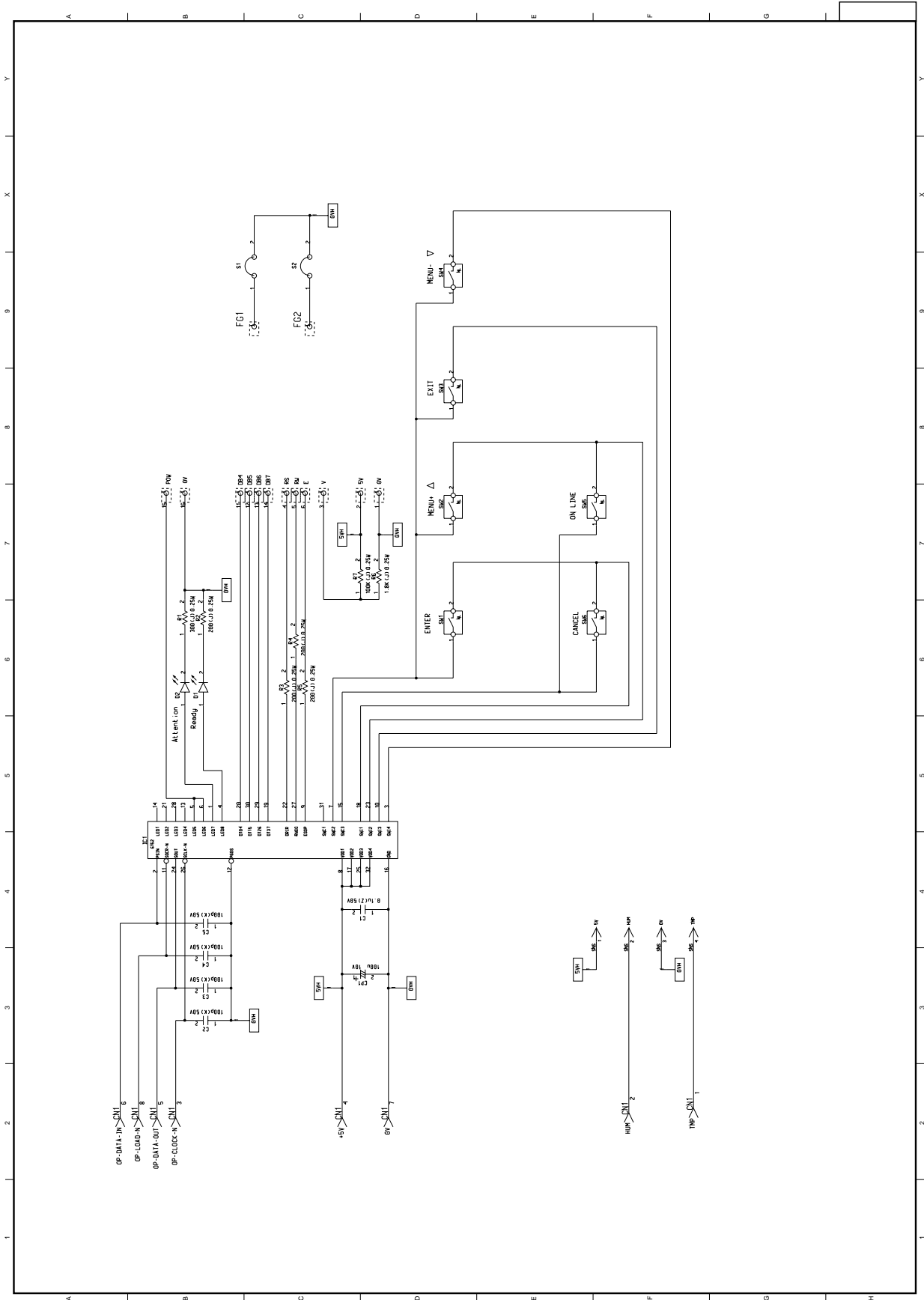


Figure 1-5 Control Panel PWB (RSP Rev.3) (1/1)

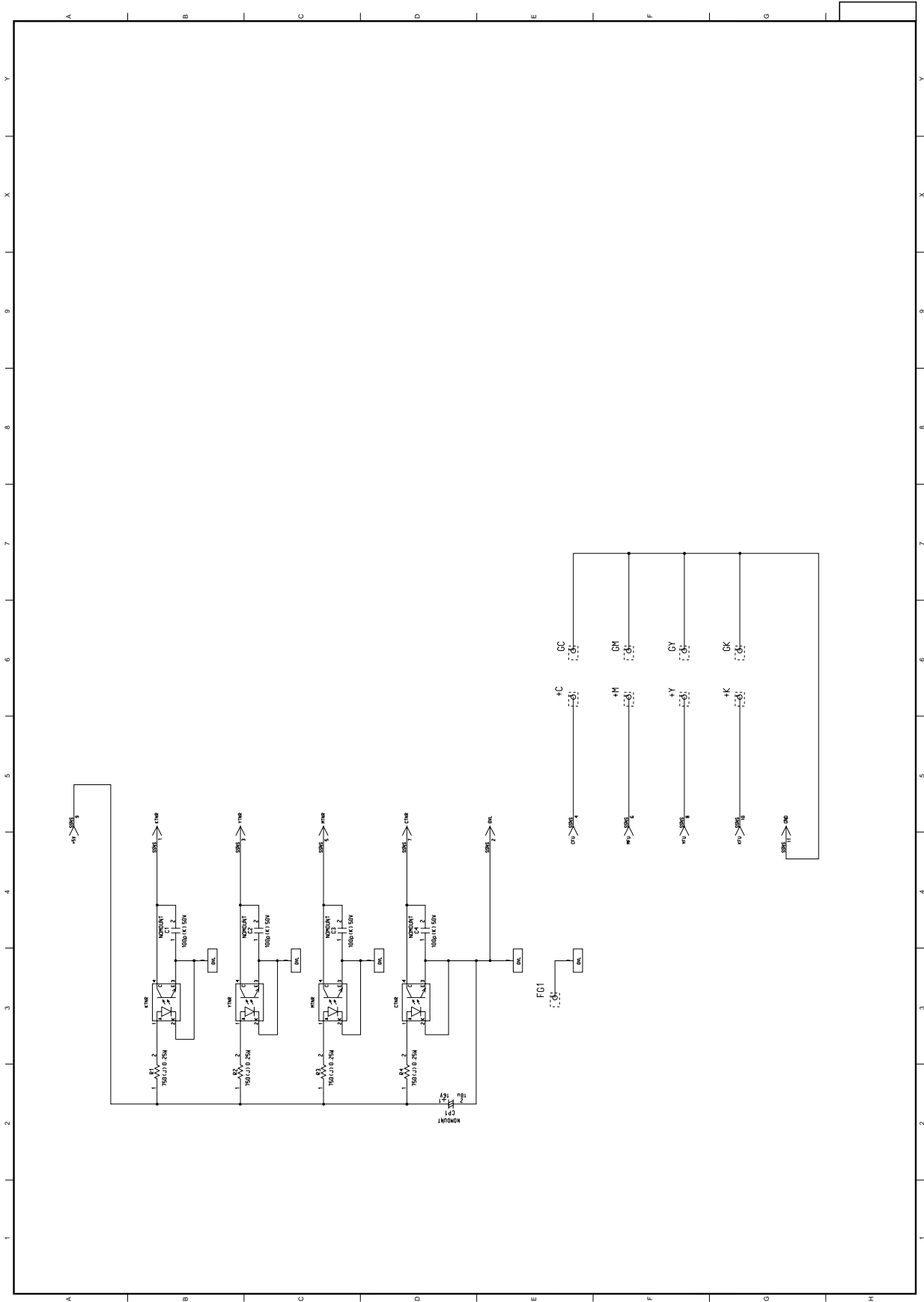


Figure 1-6 Toner Low Sensor PWB (PRD Rev.3) (1/1)

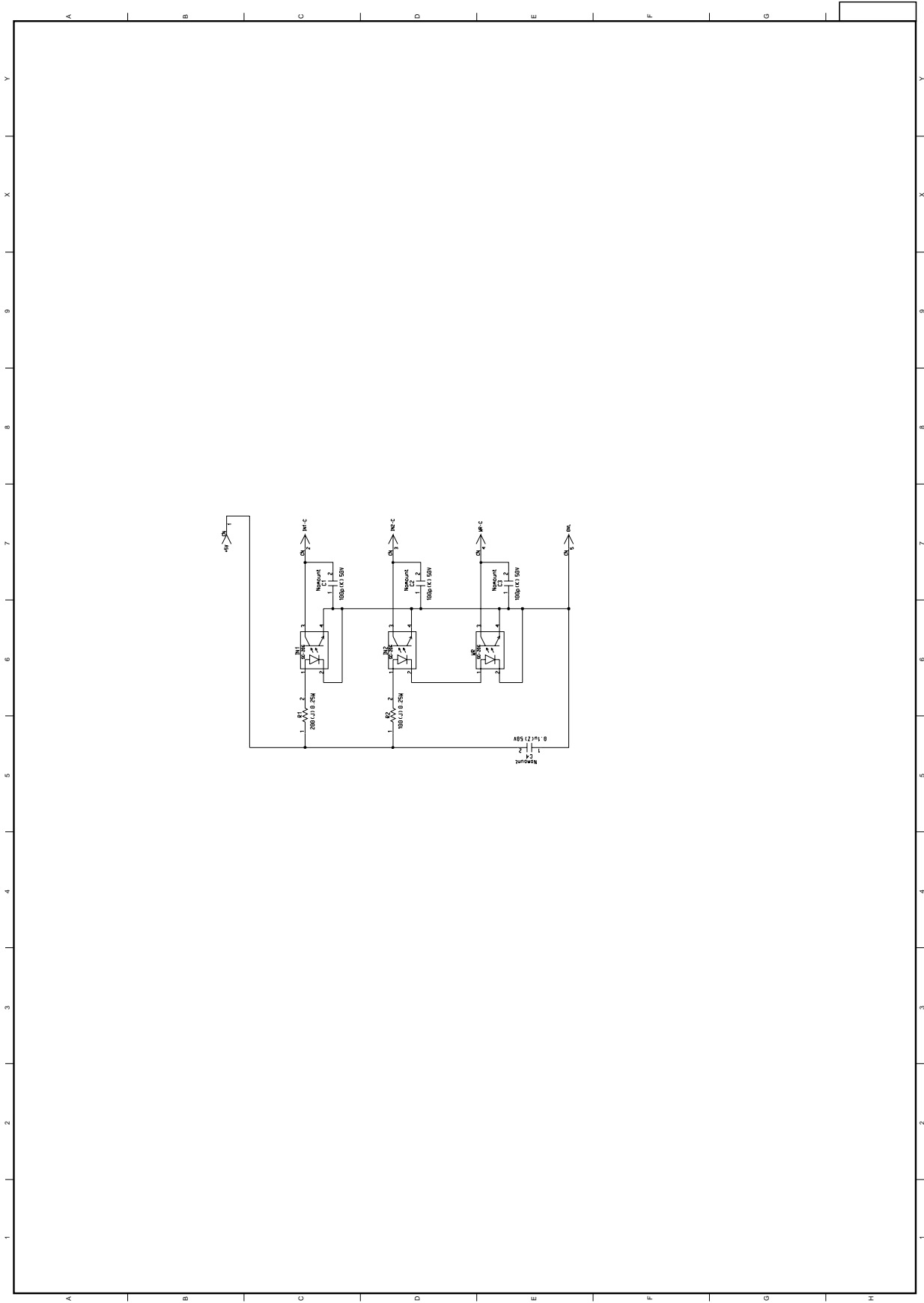


Figure 1-7 Entrance Sensor PWB (RSF Rev.3) (1/1)

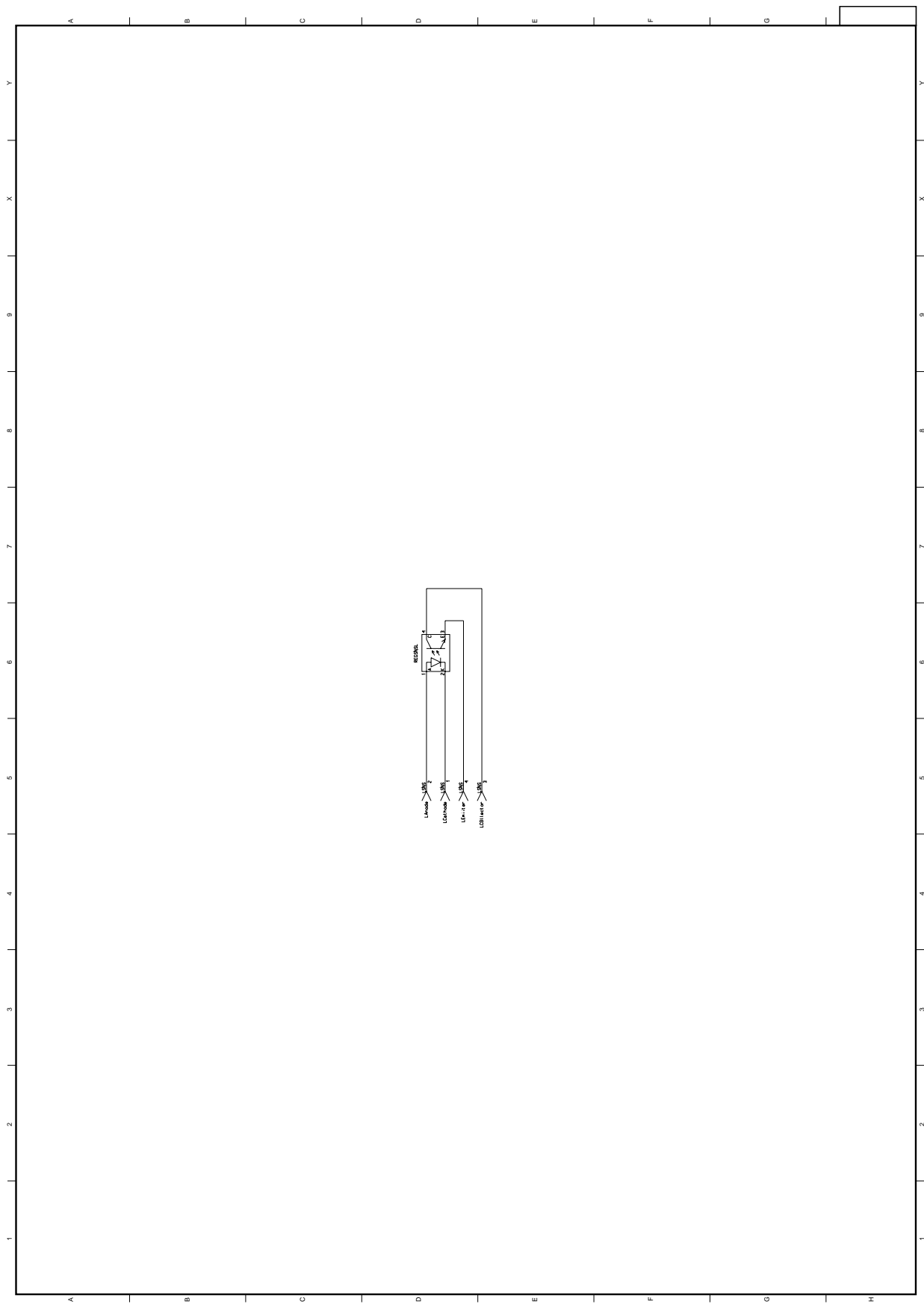


Figure 1-8 Color Registration Sensor PWB (Z71 Rev.1) (1/2)

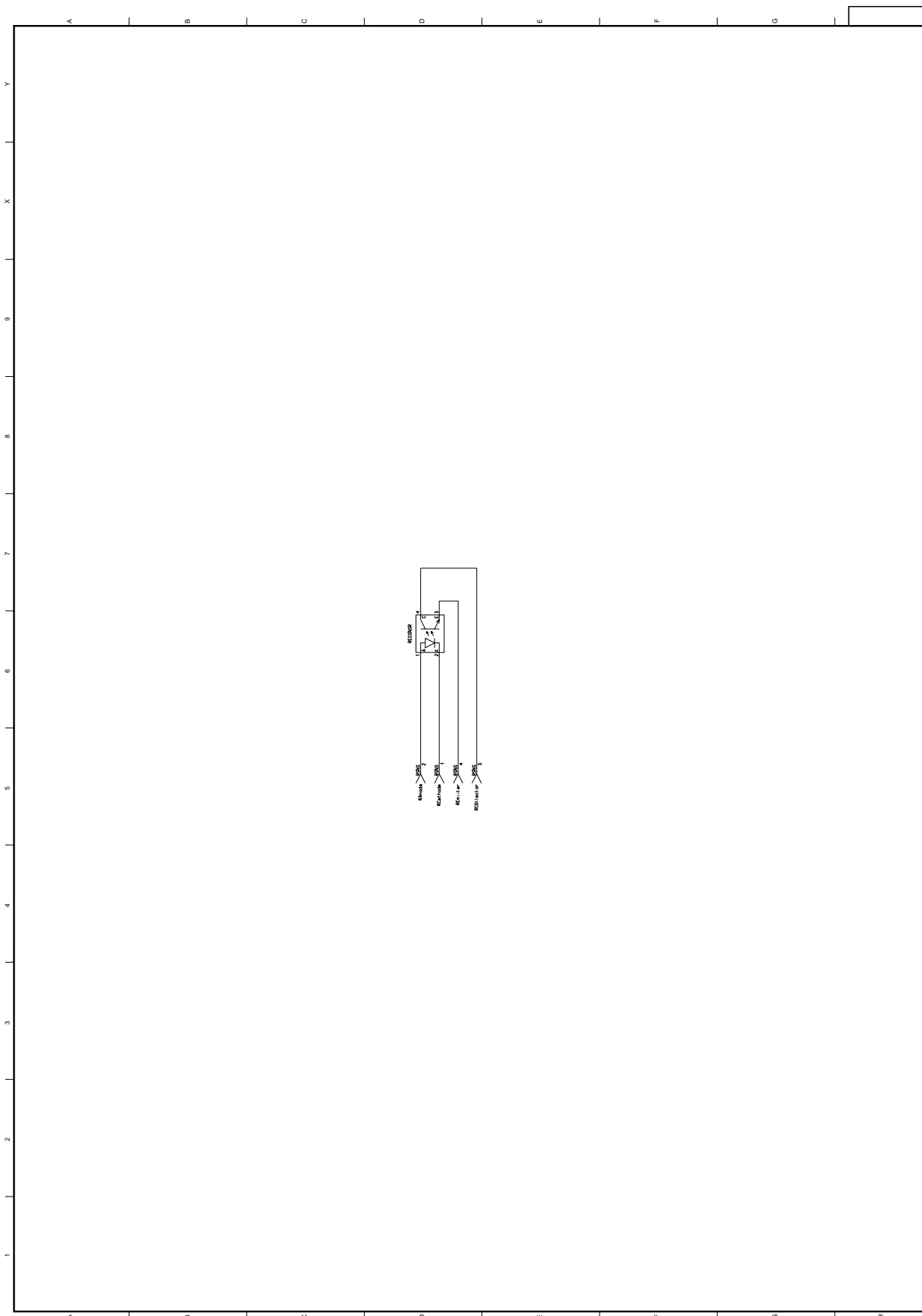


Figure 1-8 Color Registration Sensor PWB (Z71 Rev.1) (2/2)

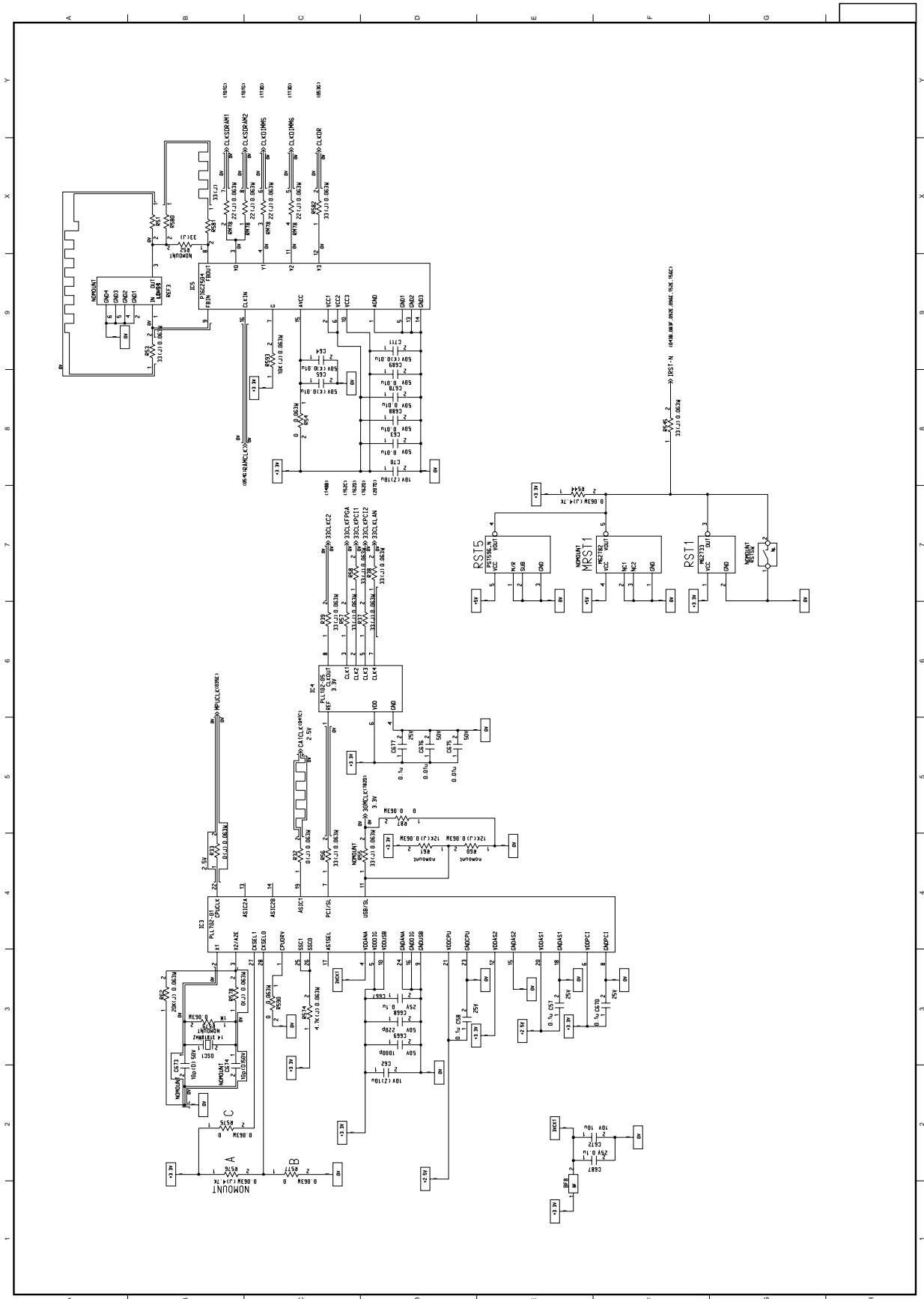


Figure 1-9 Main Controller PWB (OWL Rev.1) (1/25)

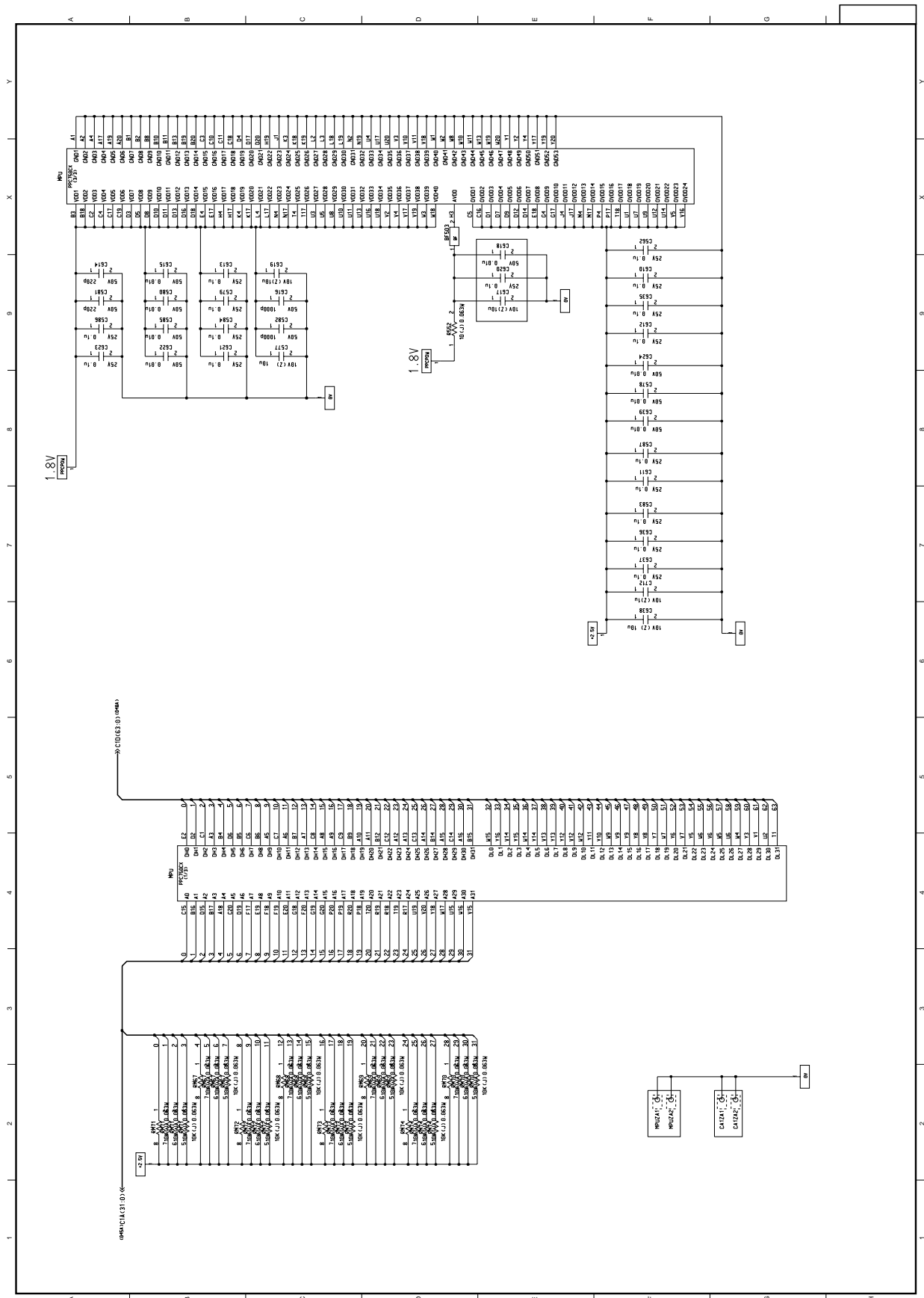


Figure 1-9 Main Controller PWB (OWL Rev.1) (2/25)

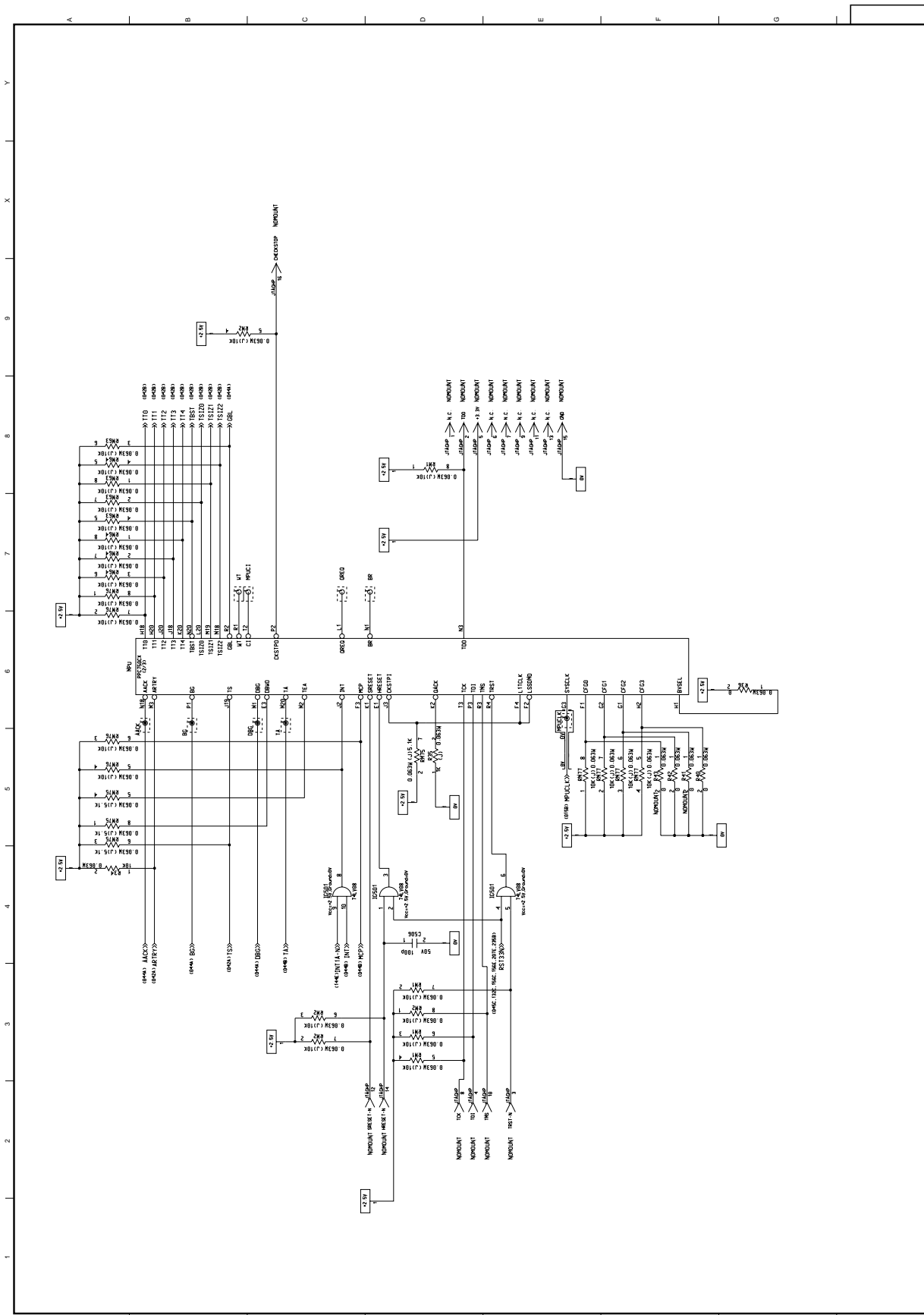


Figure 1-9 Main Controller PWB (OWL Rev.1) (3/25)

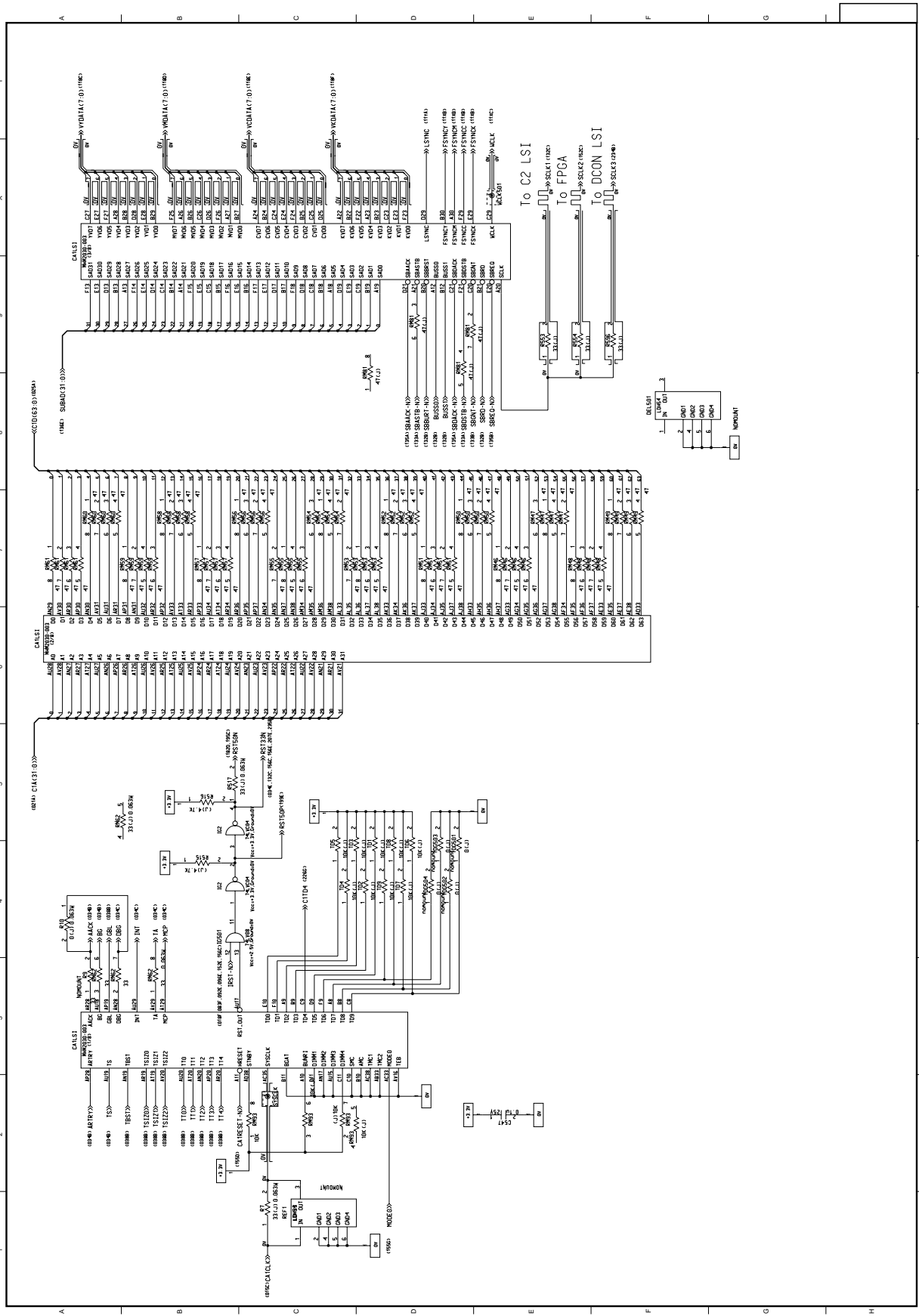


Figure 1-9 Main Controller PWB (OWL Rev.1) (4/25)

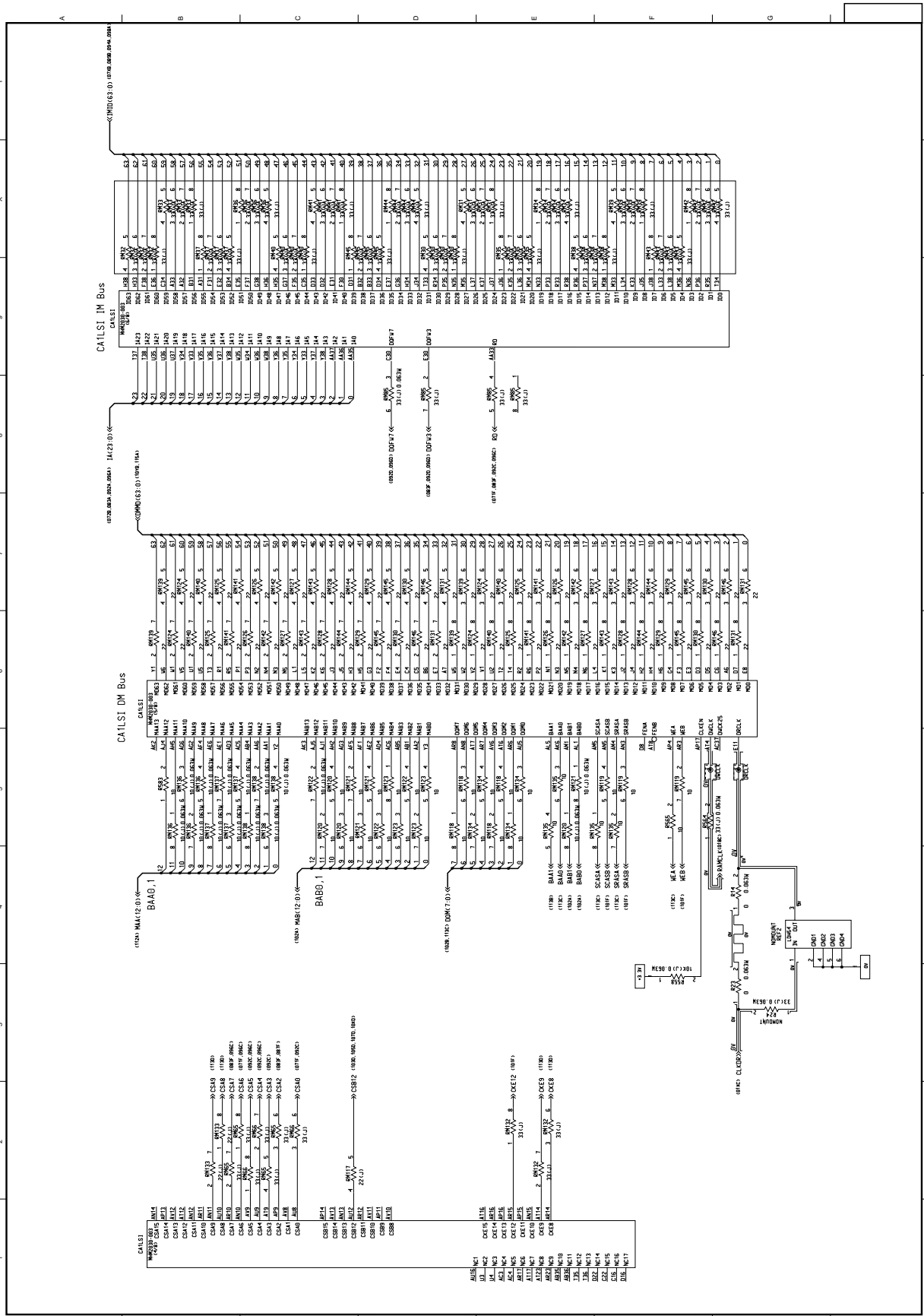


Figure 1-9 Main Controller PWB (OWL Rev.1) (5/25)

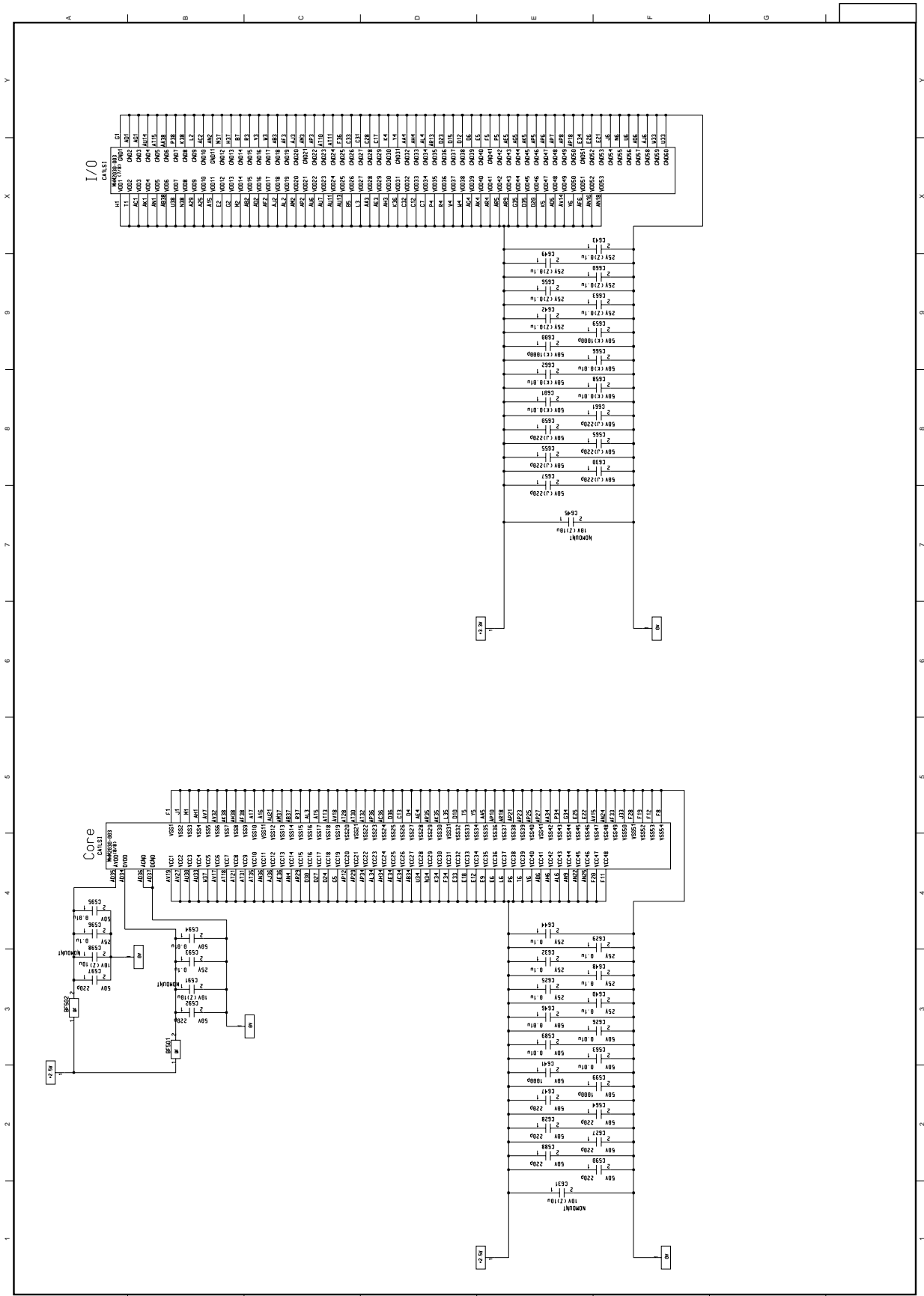


Figure 1-9 Main Controller PWB (OWL Rev.1) (6/25)

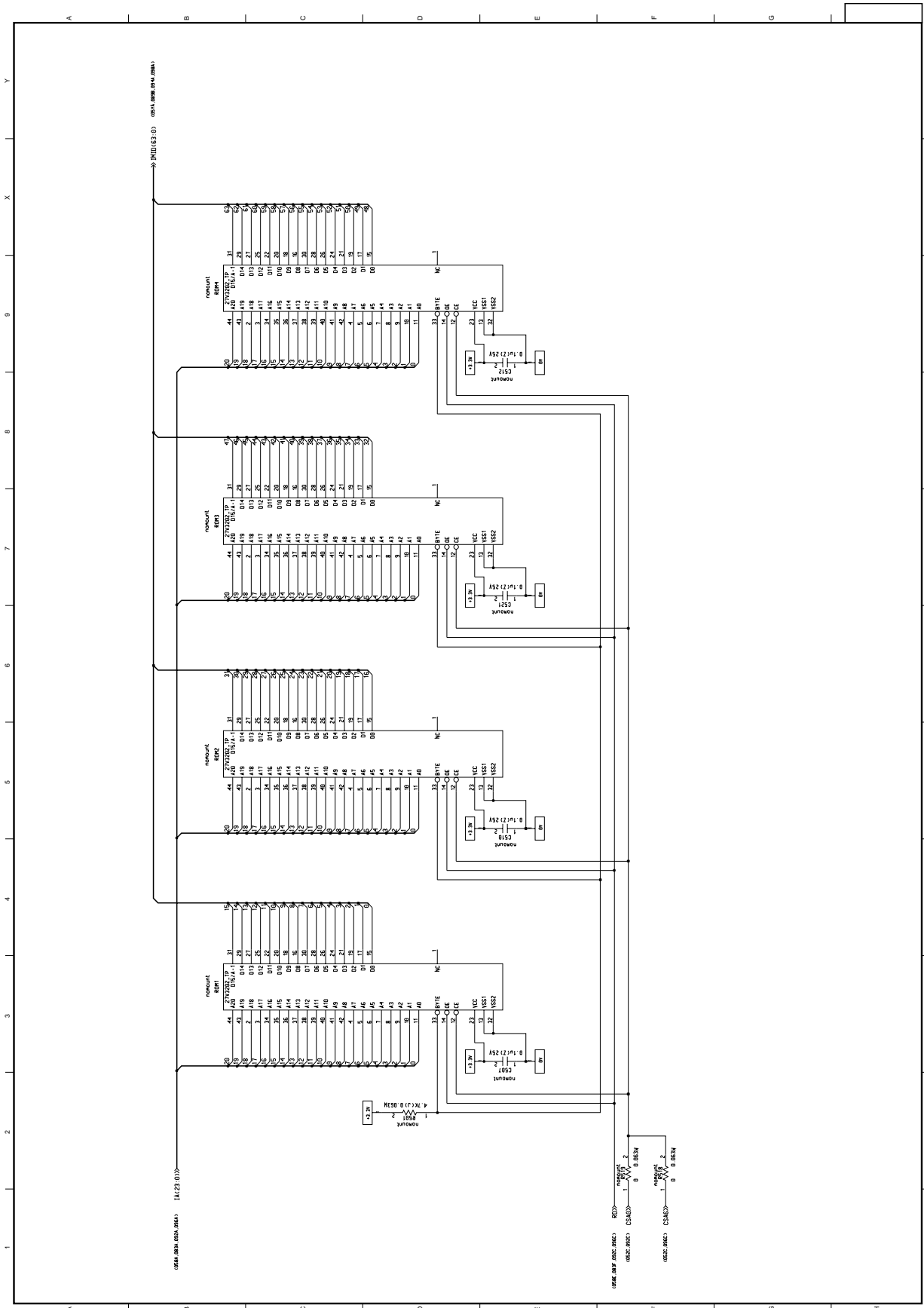


Figure 1-9 Main Controller PWB (OWL Rev.1) (7/25)

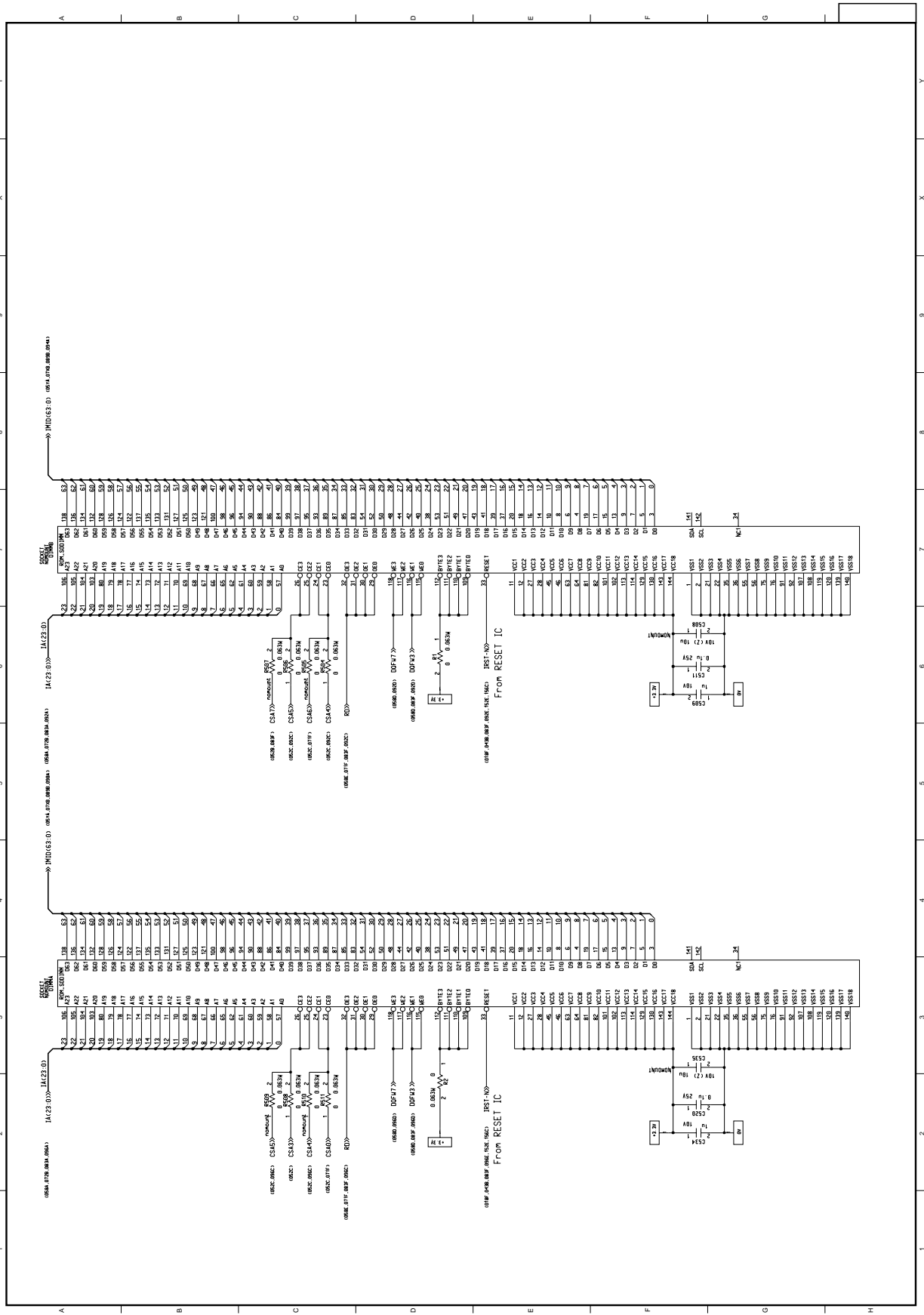


Figure 1-9 Main Controller PWB (OWL Rev.1) (9/25)

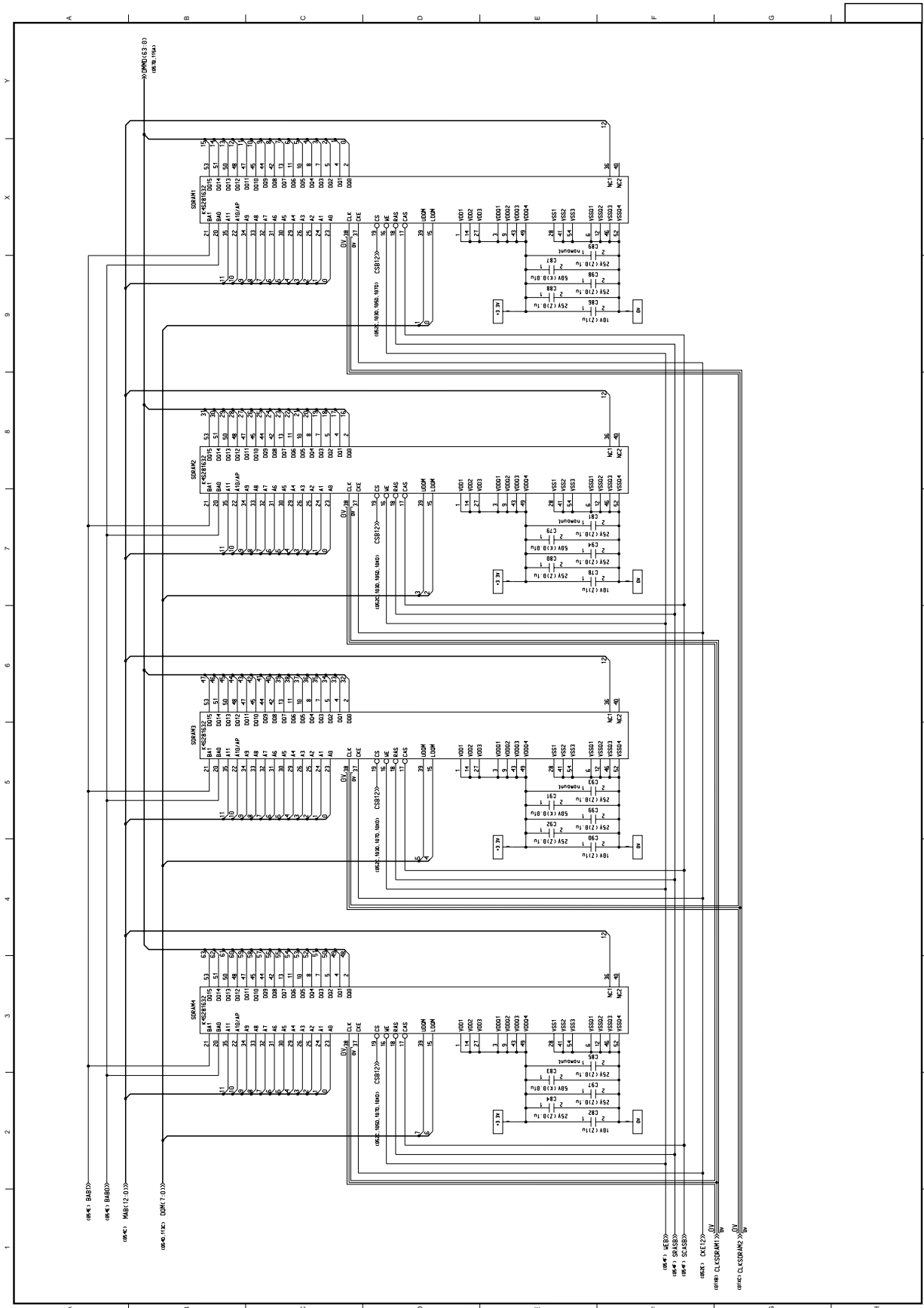


Figure 1-9 Main Controller PWB (OWL Rev.1) (10/25)

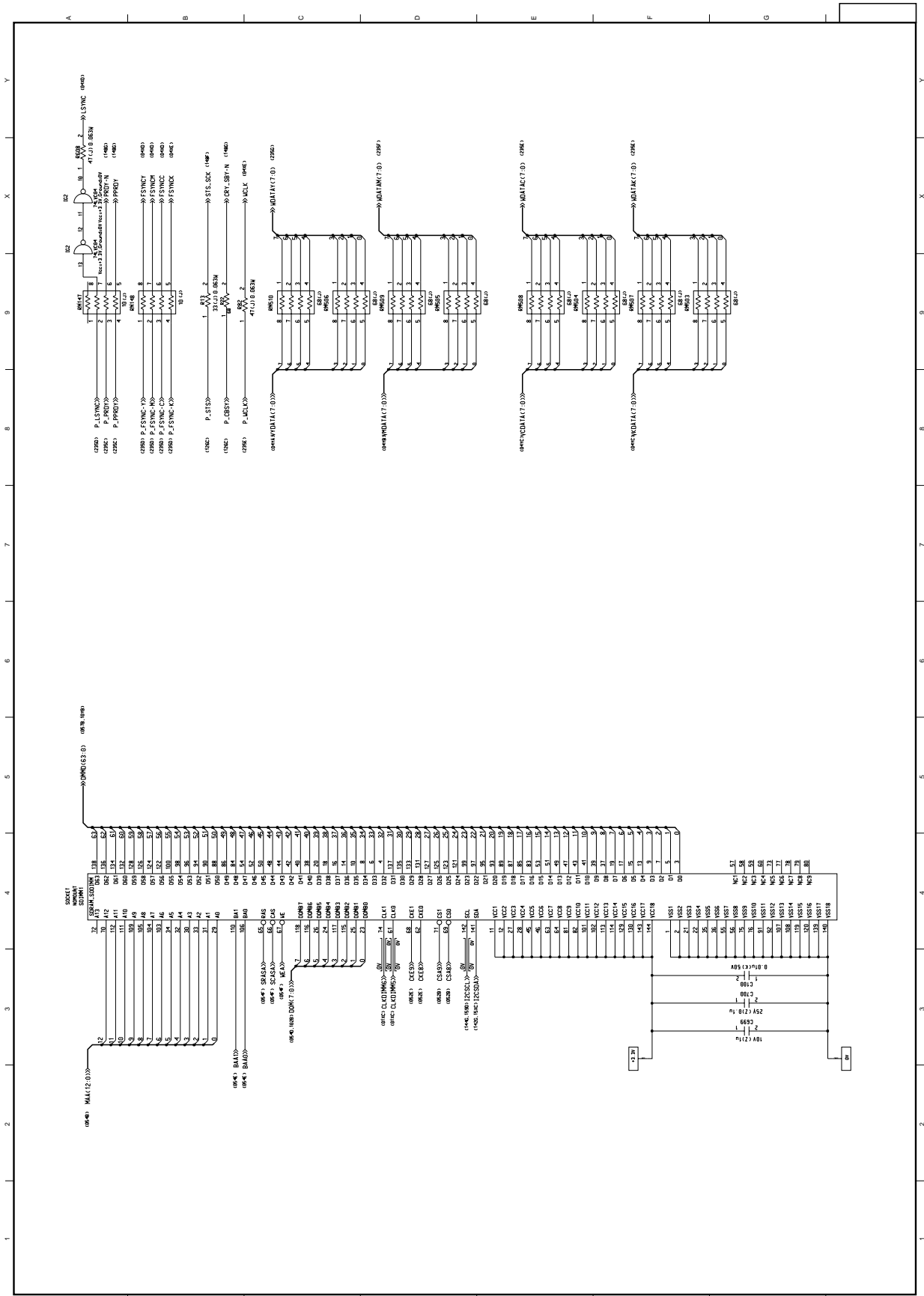


Figure 1-9 Main Controller PWB (OWL Rev.1) (11/25)

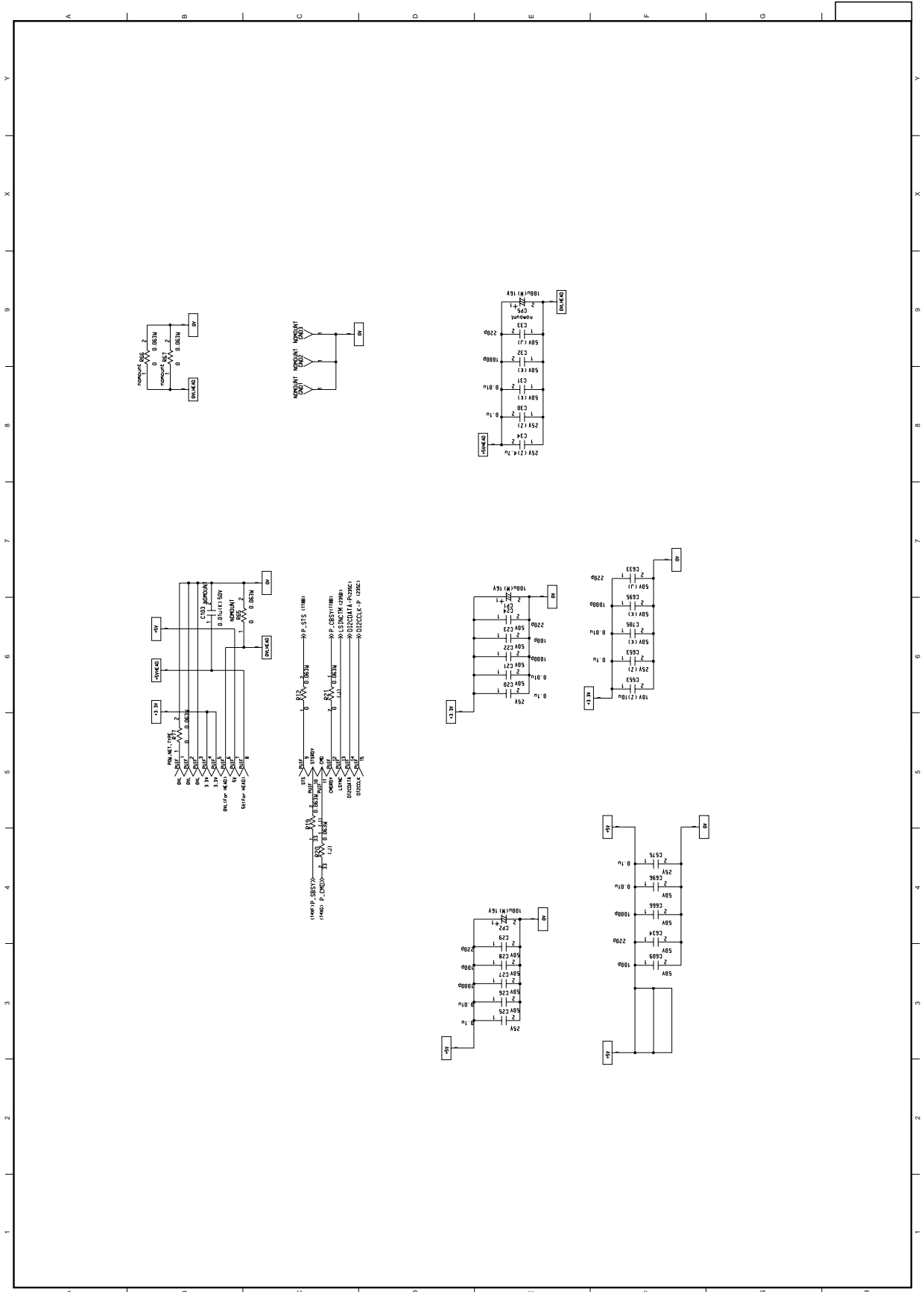


Figure 1-9 Main Controller PWB (OWL Rev.1) (12/25)

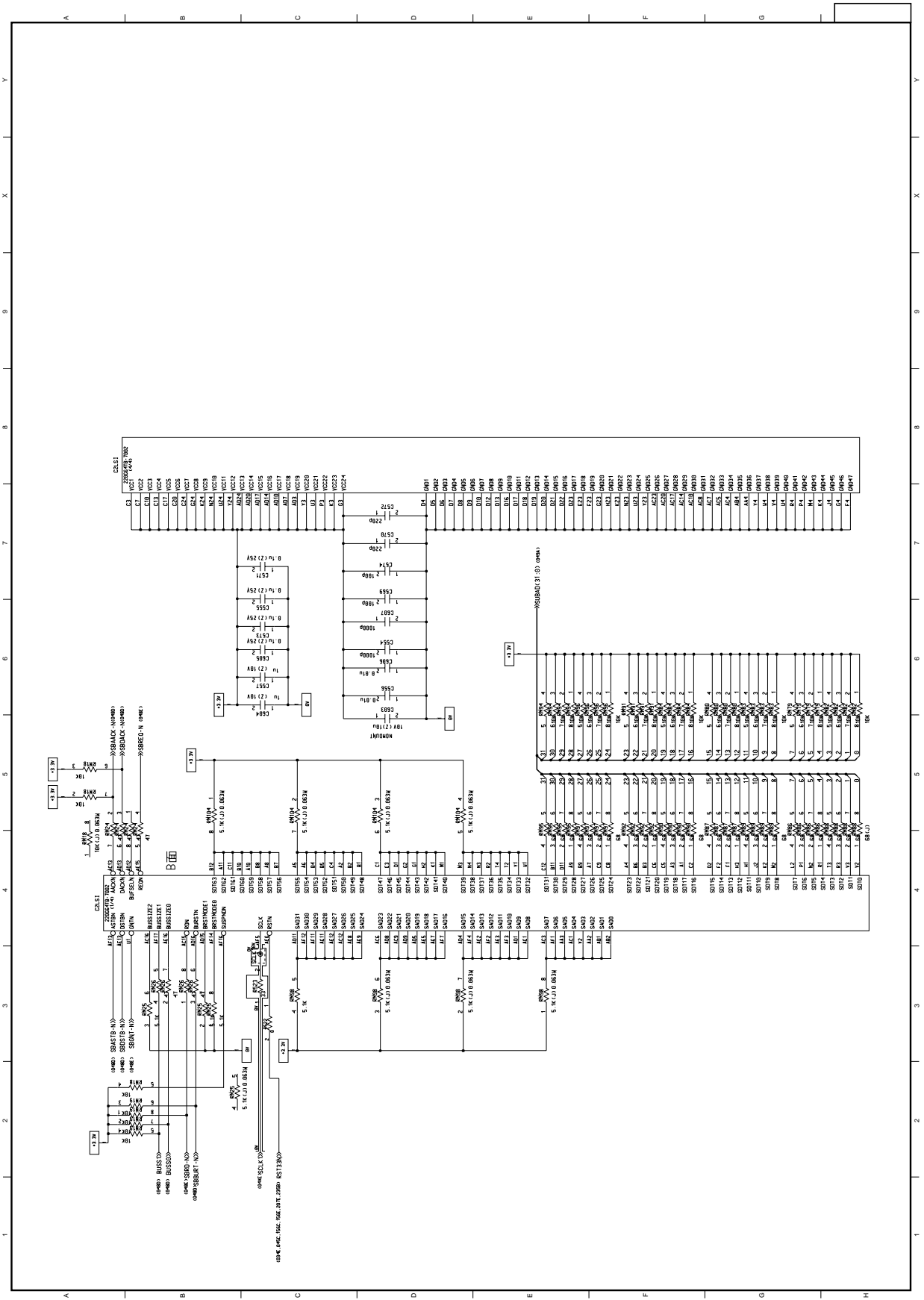


Figure 1-9 Main Controller PWB (OWL Rev.1) (13/25)

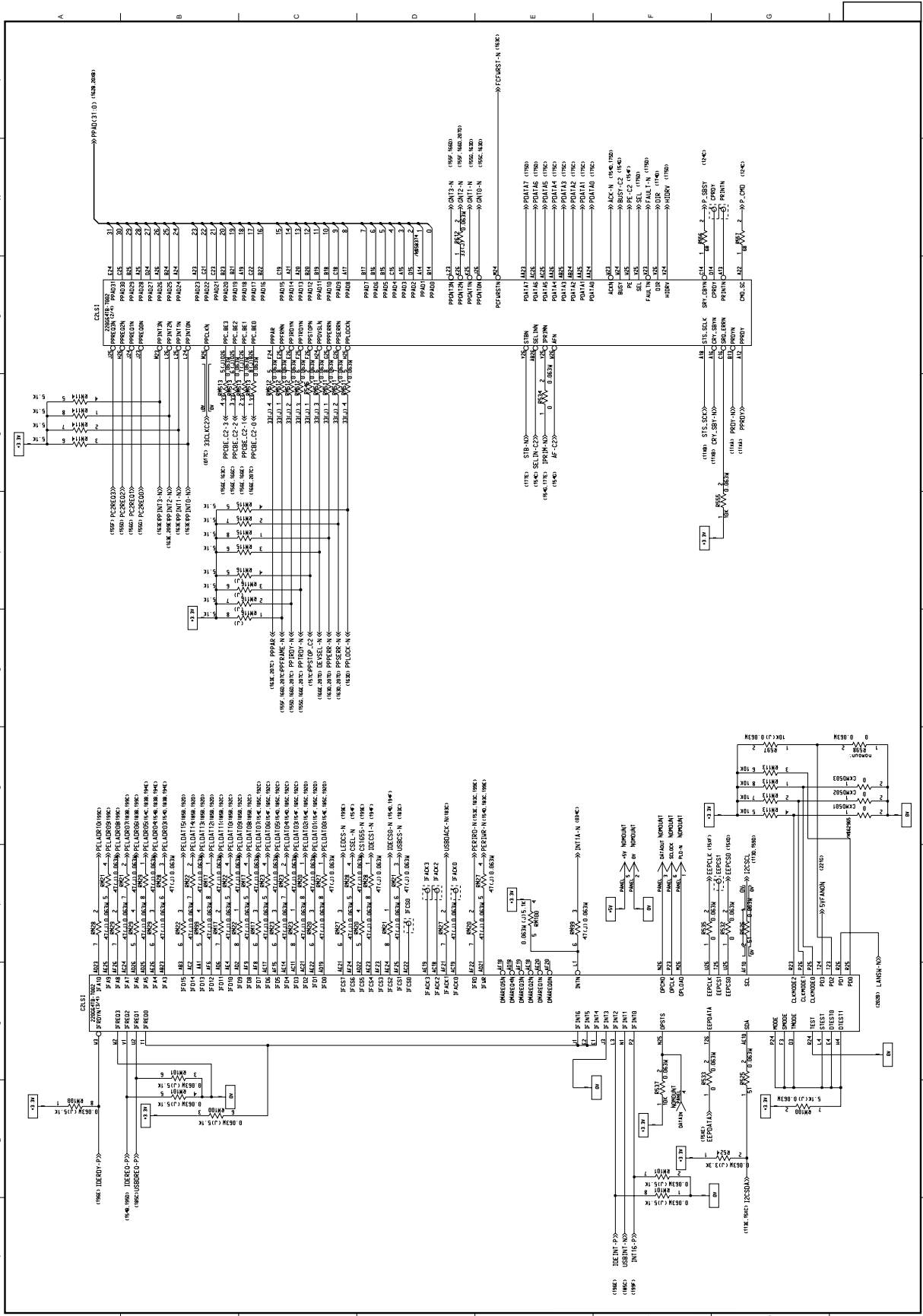


Figure 1-9 Main Controller PWB (OWL Rev.1) (14/25)

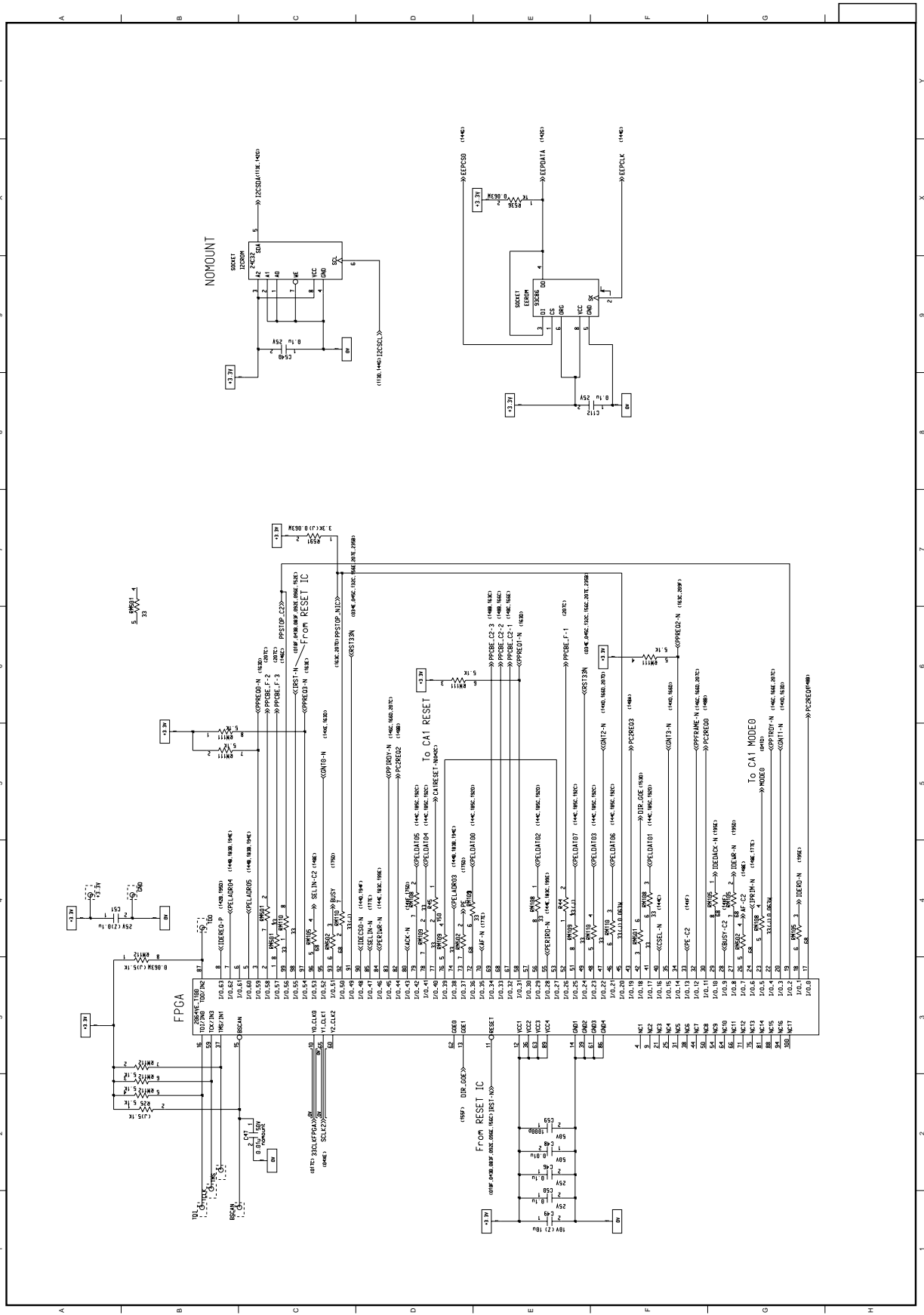


Figure 1-9 Main Controller PWB (OWL Rev.1) (15/25)

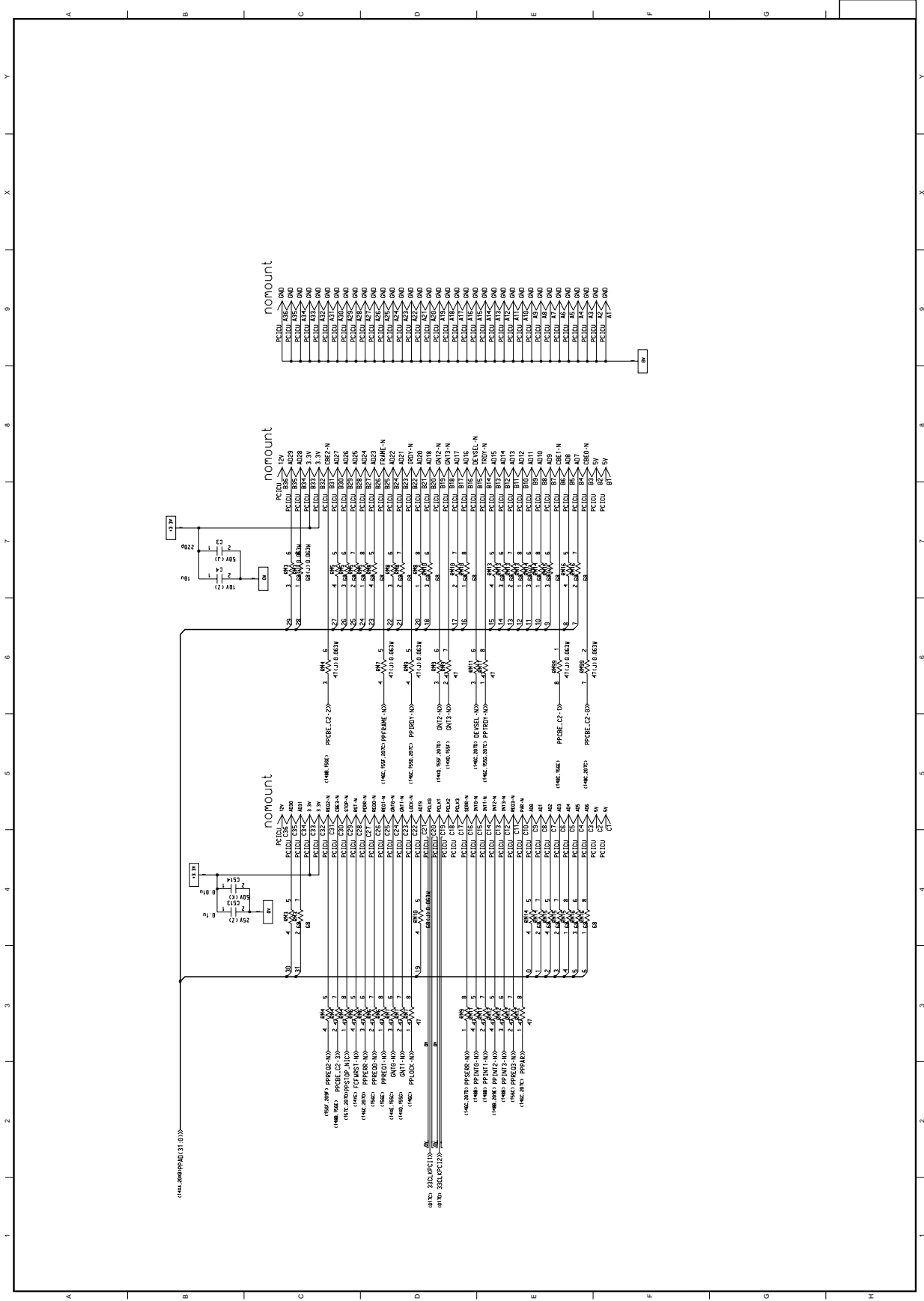


Figure 1-9 Main Controller PWB (OWL Rev.1) (16/25)

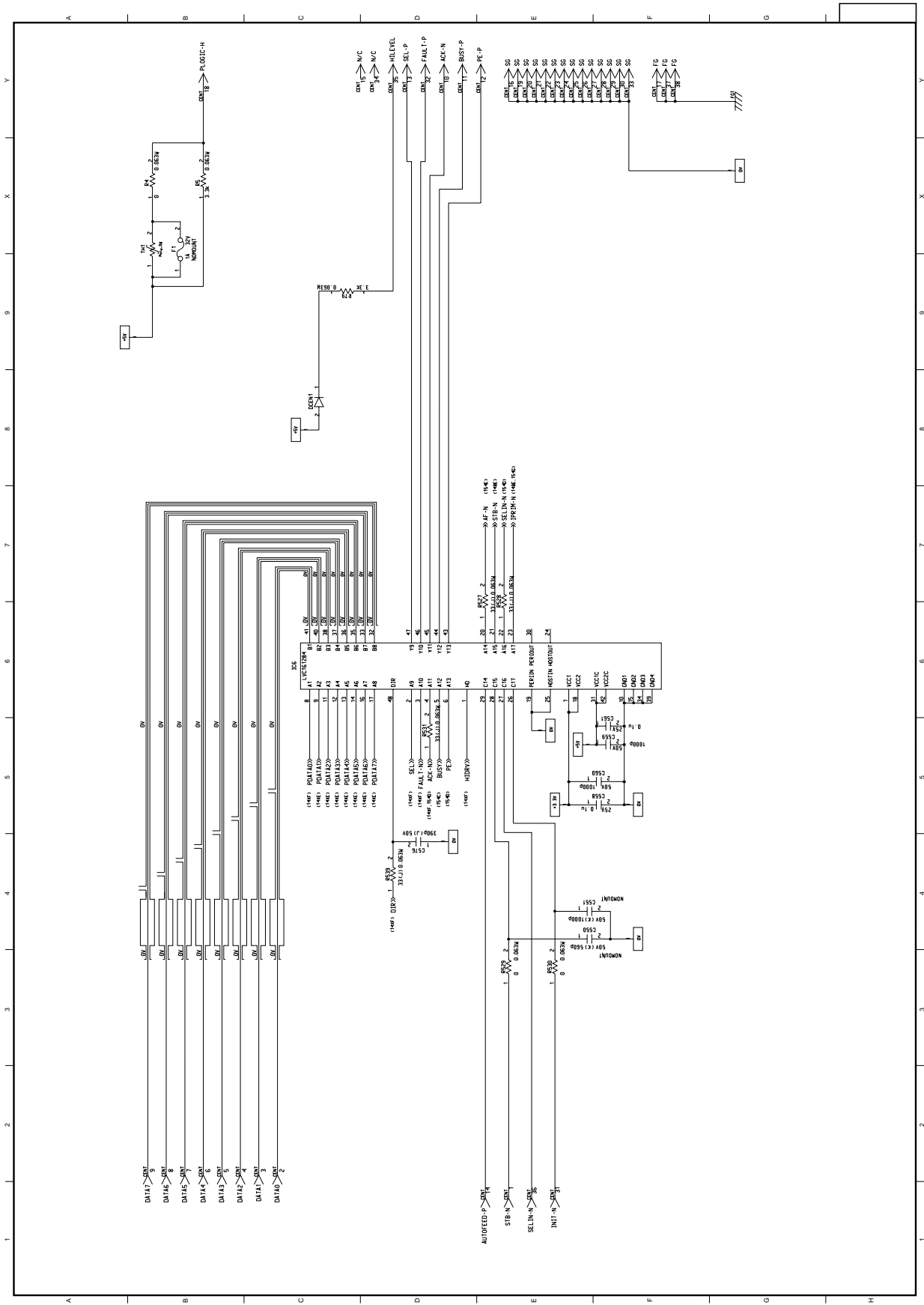


Figure 1-9 Main Controller PWB (OWL Rev.1) (17/25)

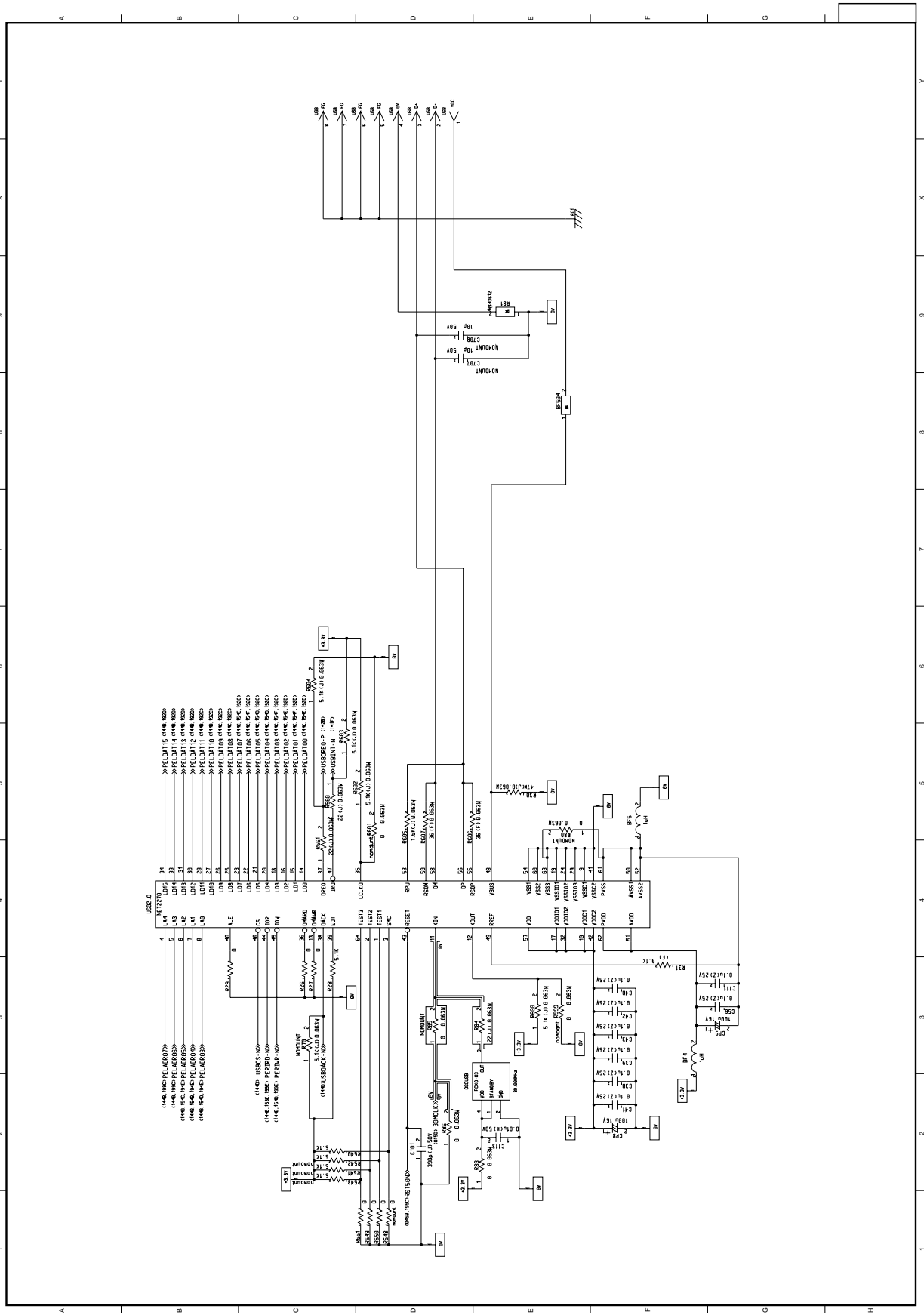


Figure 1-9 Main Controller PWB (OWL Rev.1) (18/25)

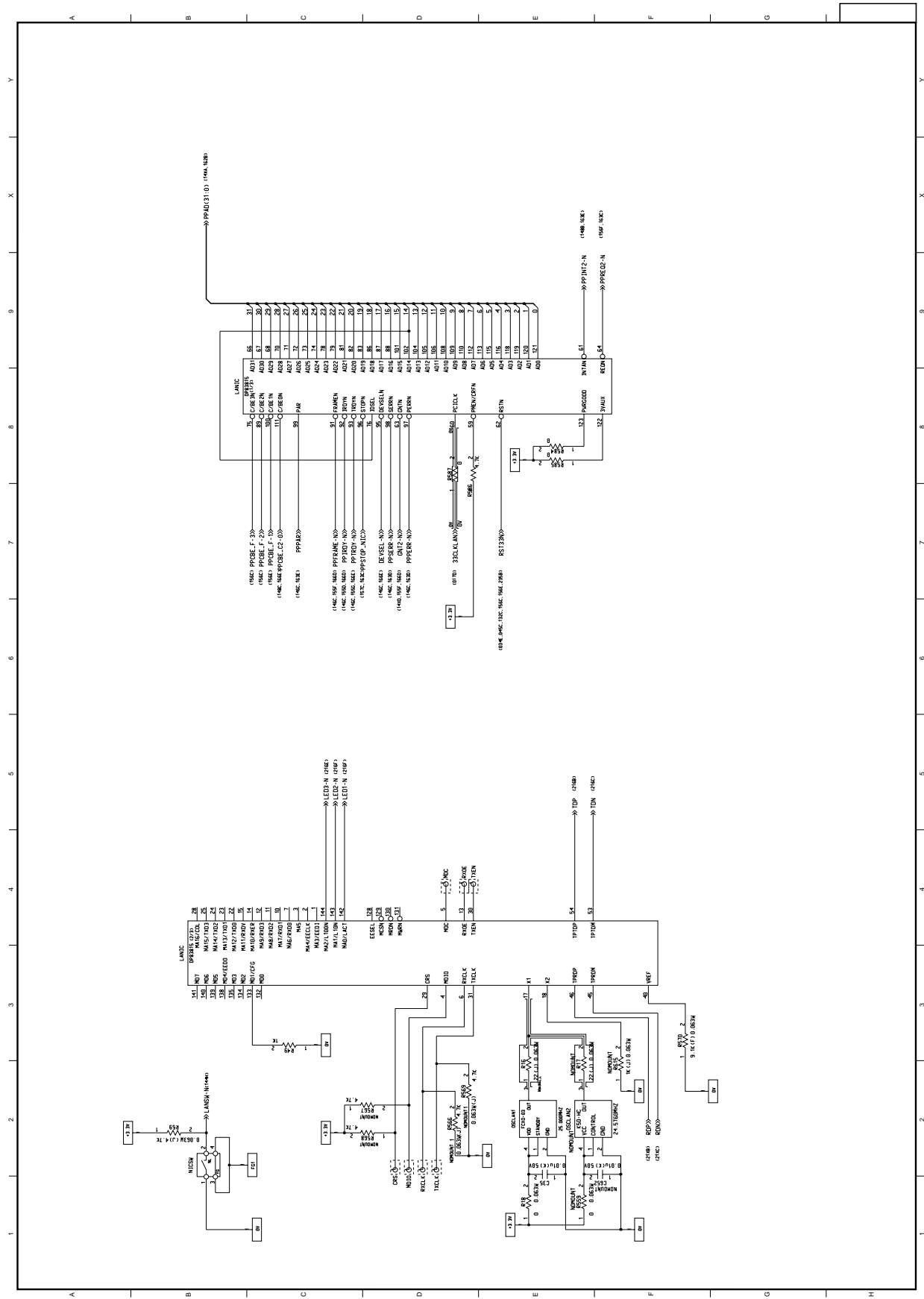


Figure 1-9 Main Controller PWB (OWL Rev.1) (20/25)

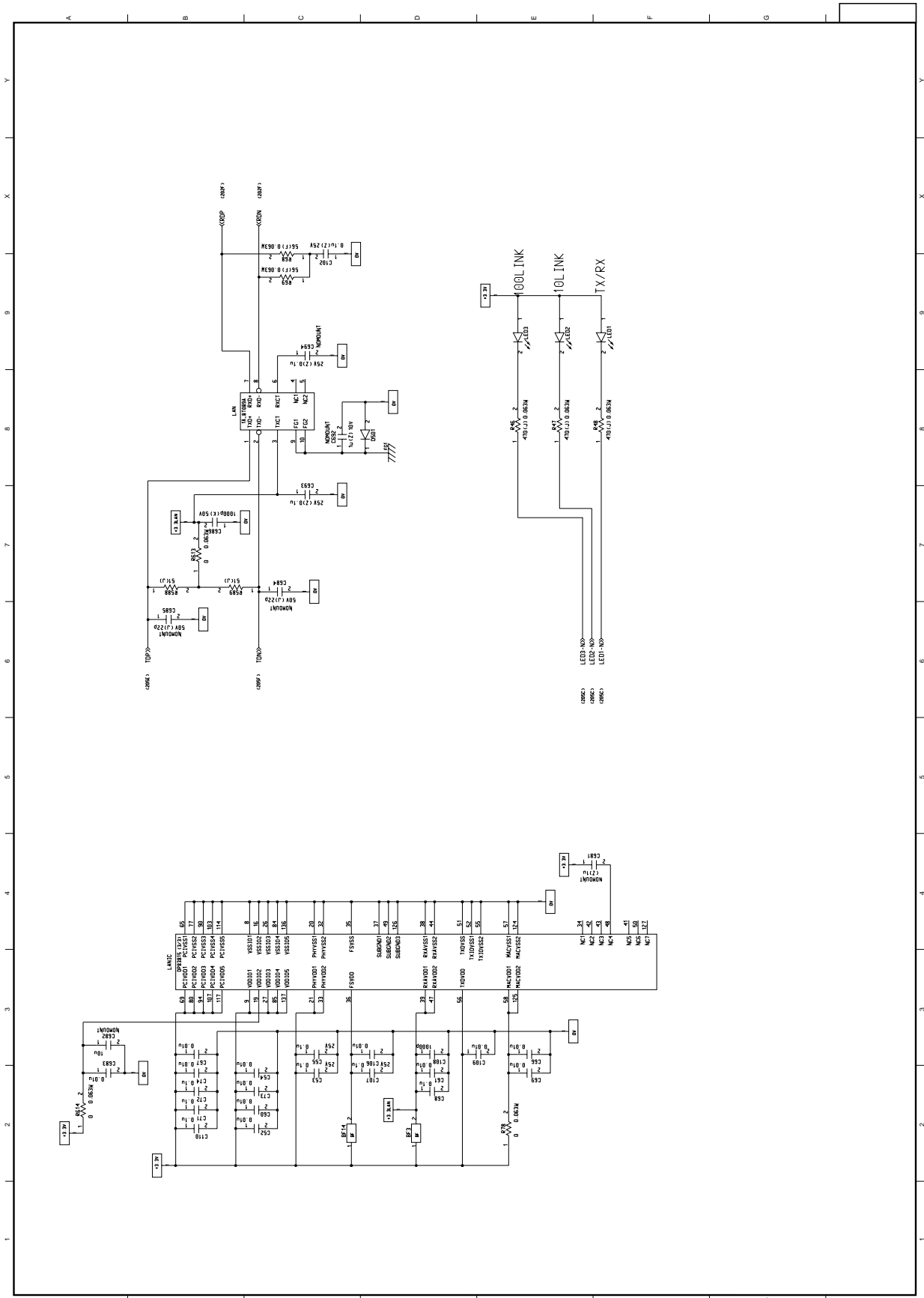


Figure 1-9 Main Controller PWB (OWL Rev.1) (21/25)

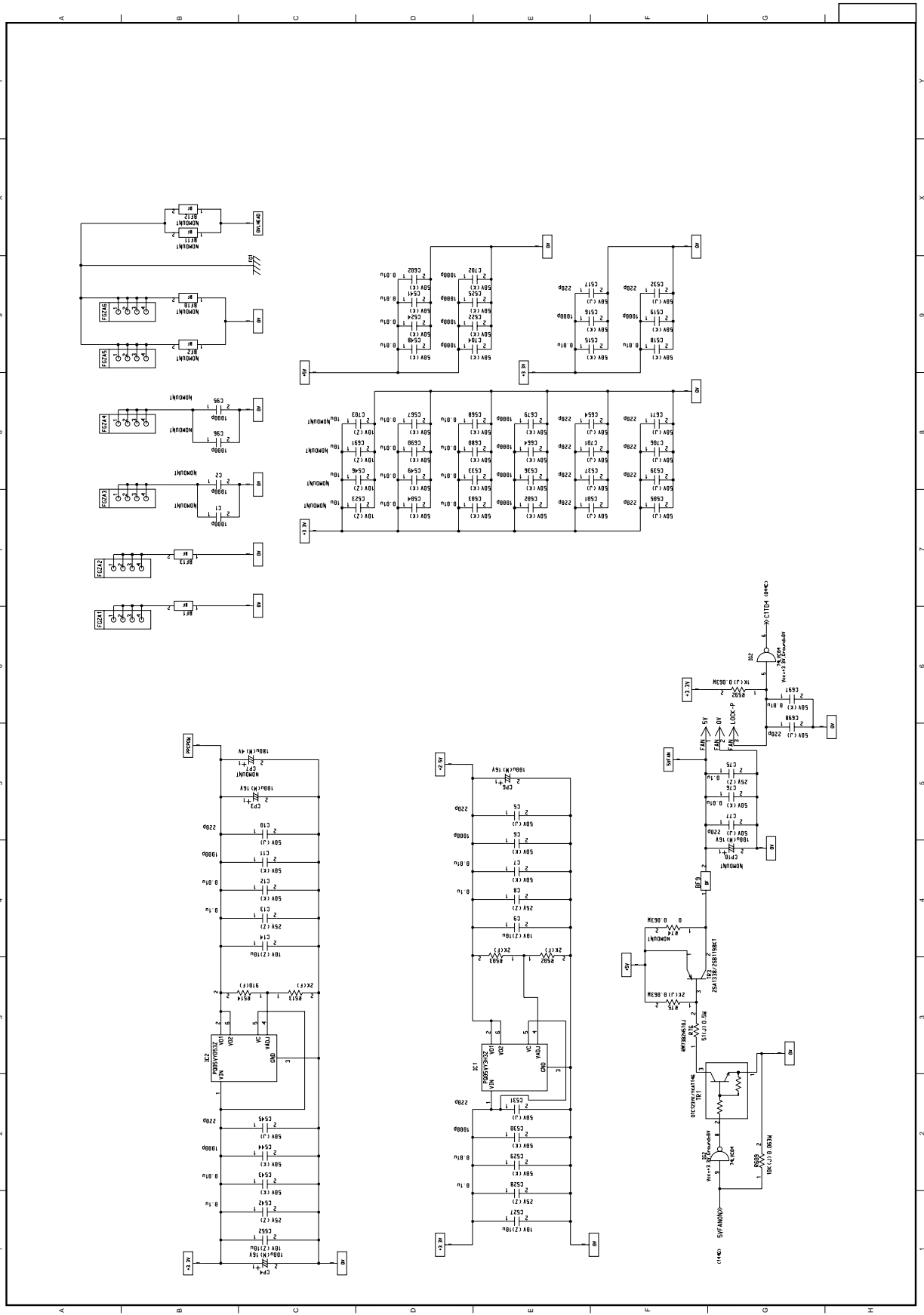


Figure 1-9 Main Controller PWB (OWL Rev.1) (22/25)

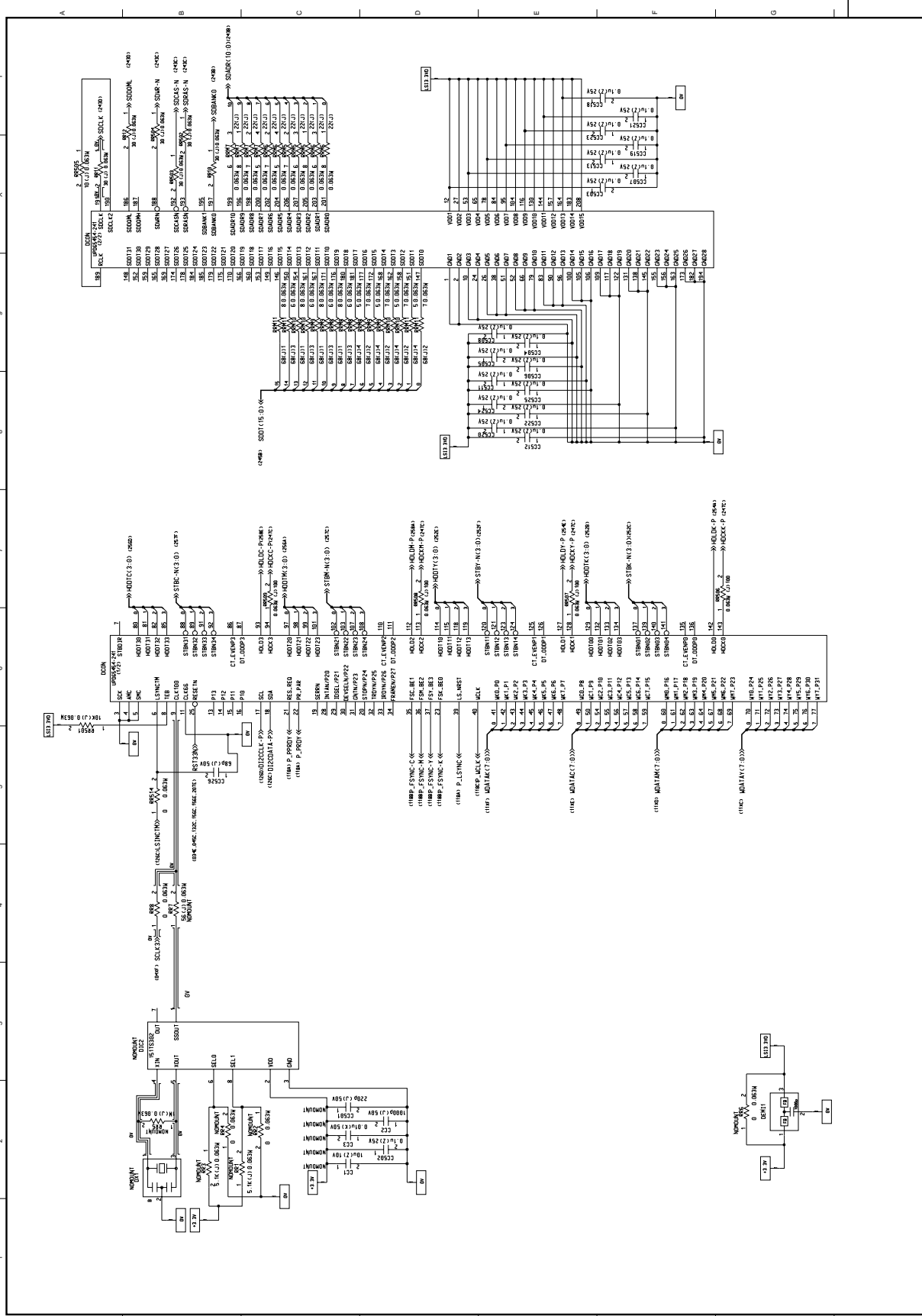


Figure 1-9 Main Controller PWB (OWL Rev.1) (23/25)

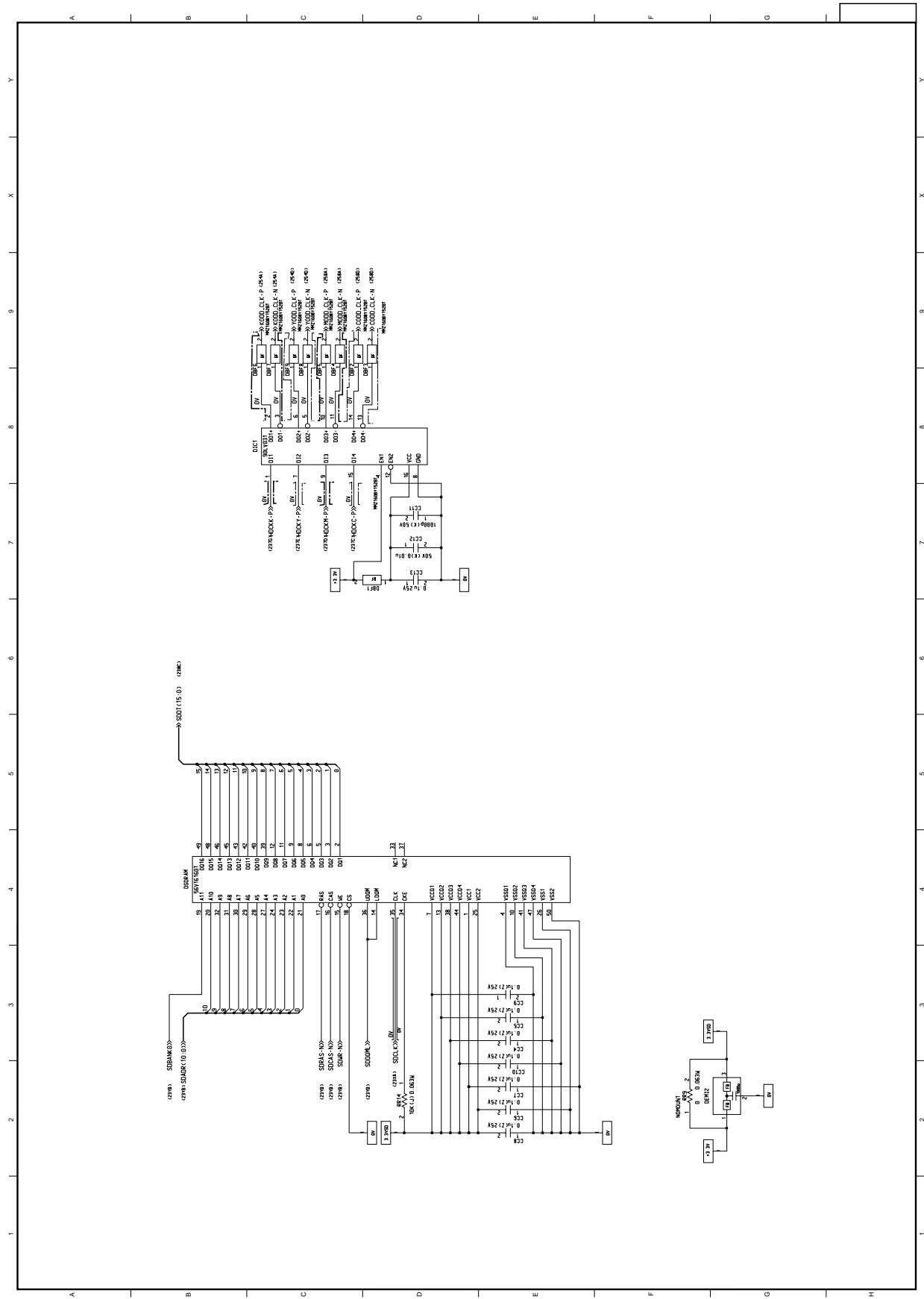


Figure 1-9 Main Controller PWB (OWL Rev.1) (24/25)

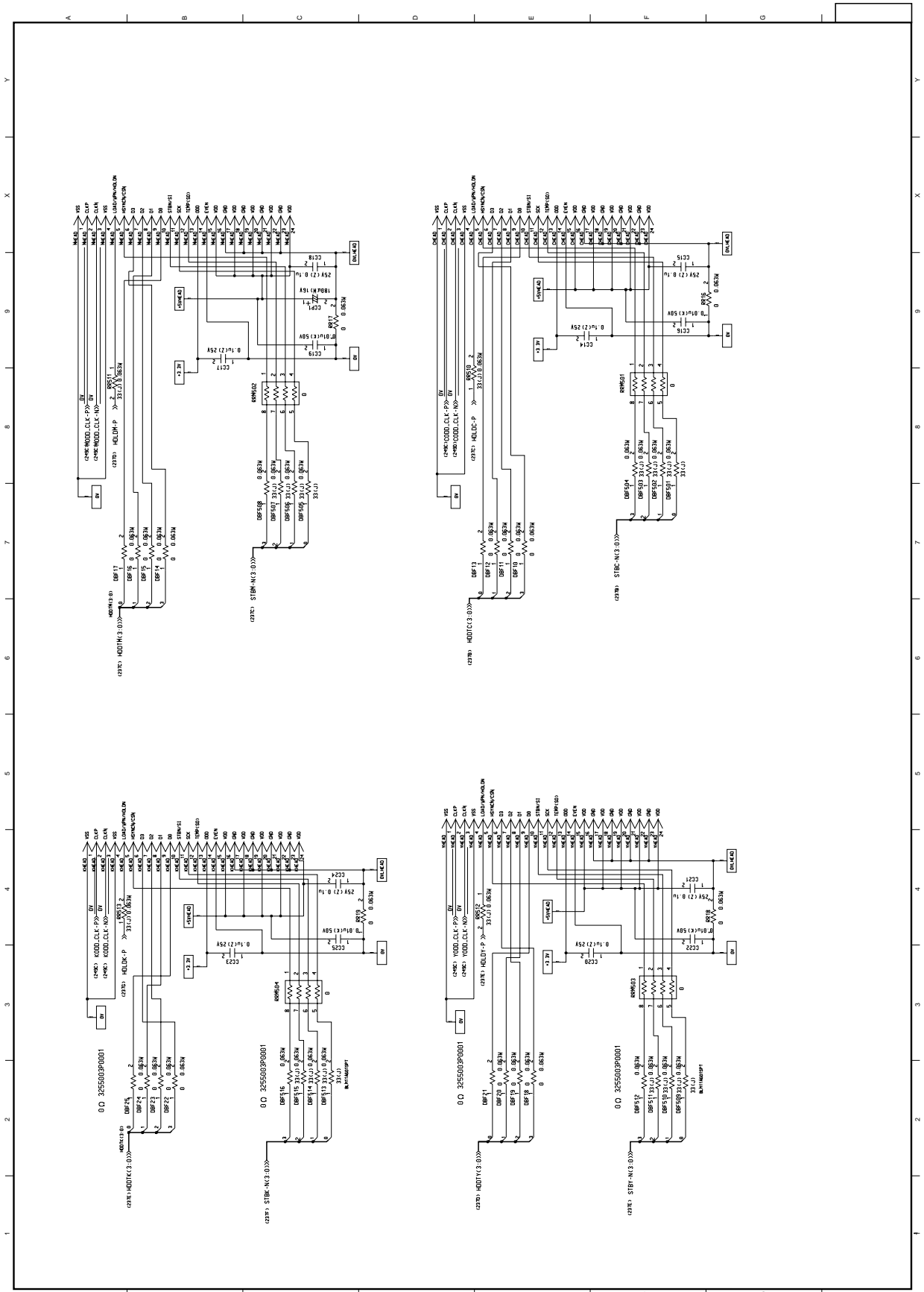


Figure 1-9 Main Controller PWB (OWL Rev.1) (25/25)

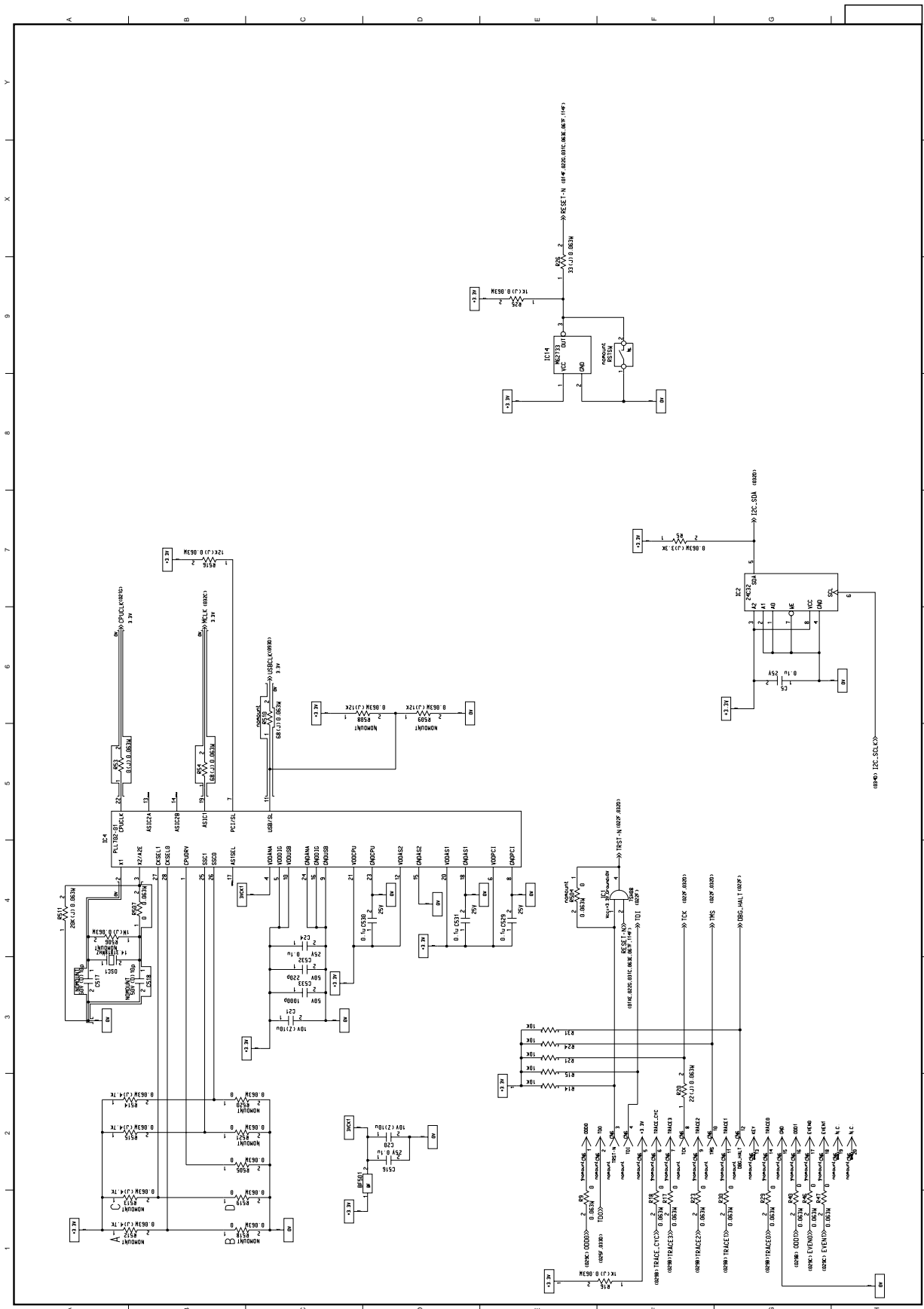


Figure 1-10 Main Controller PWB (ARC Rev.1) (1/15)

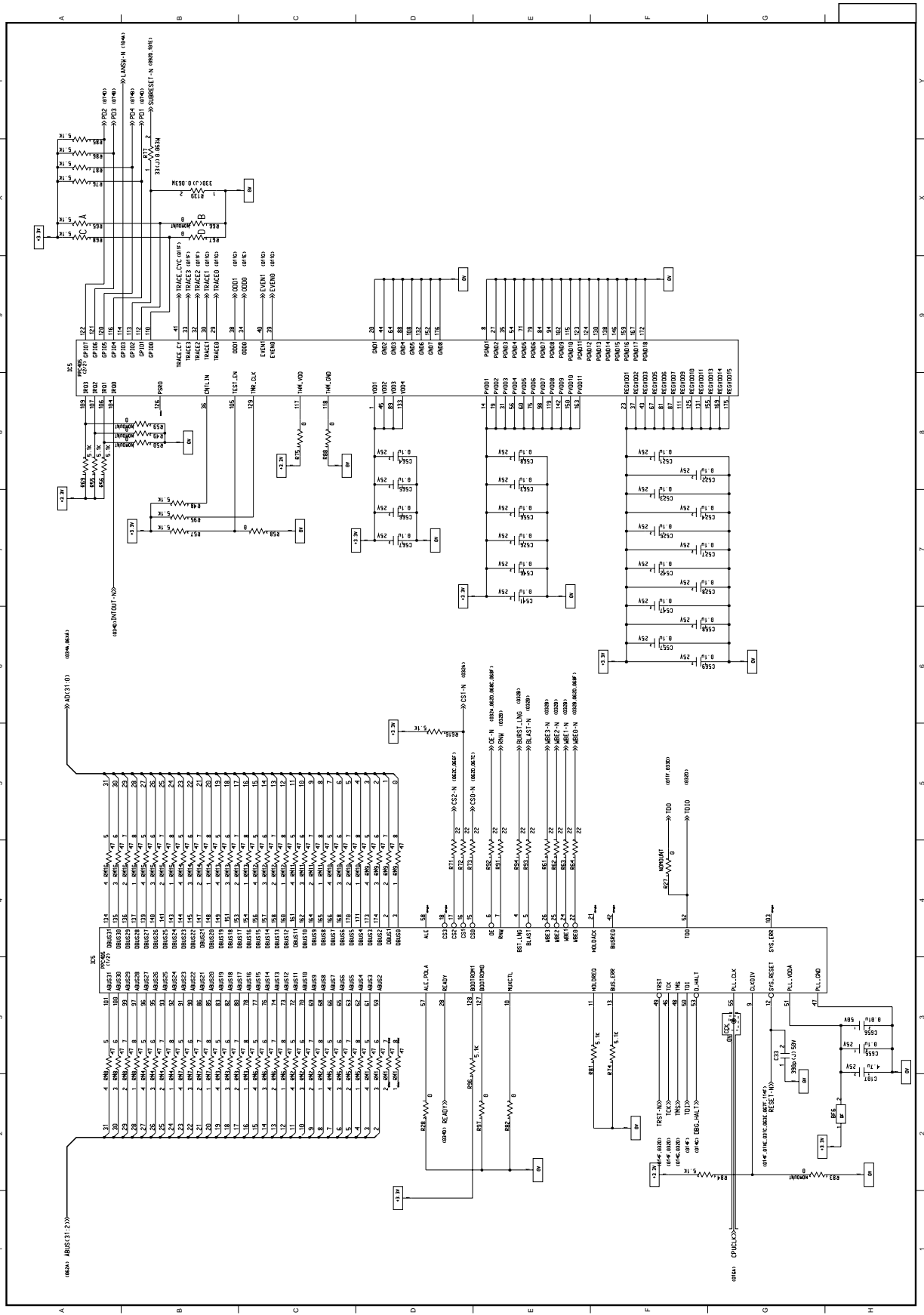


Figure 1-10 Main Controller PWB (ARC Rev.1) (2/15)

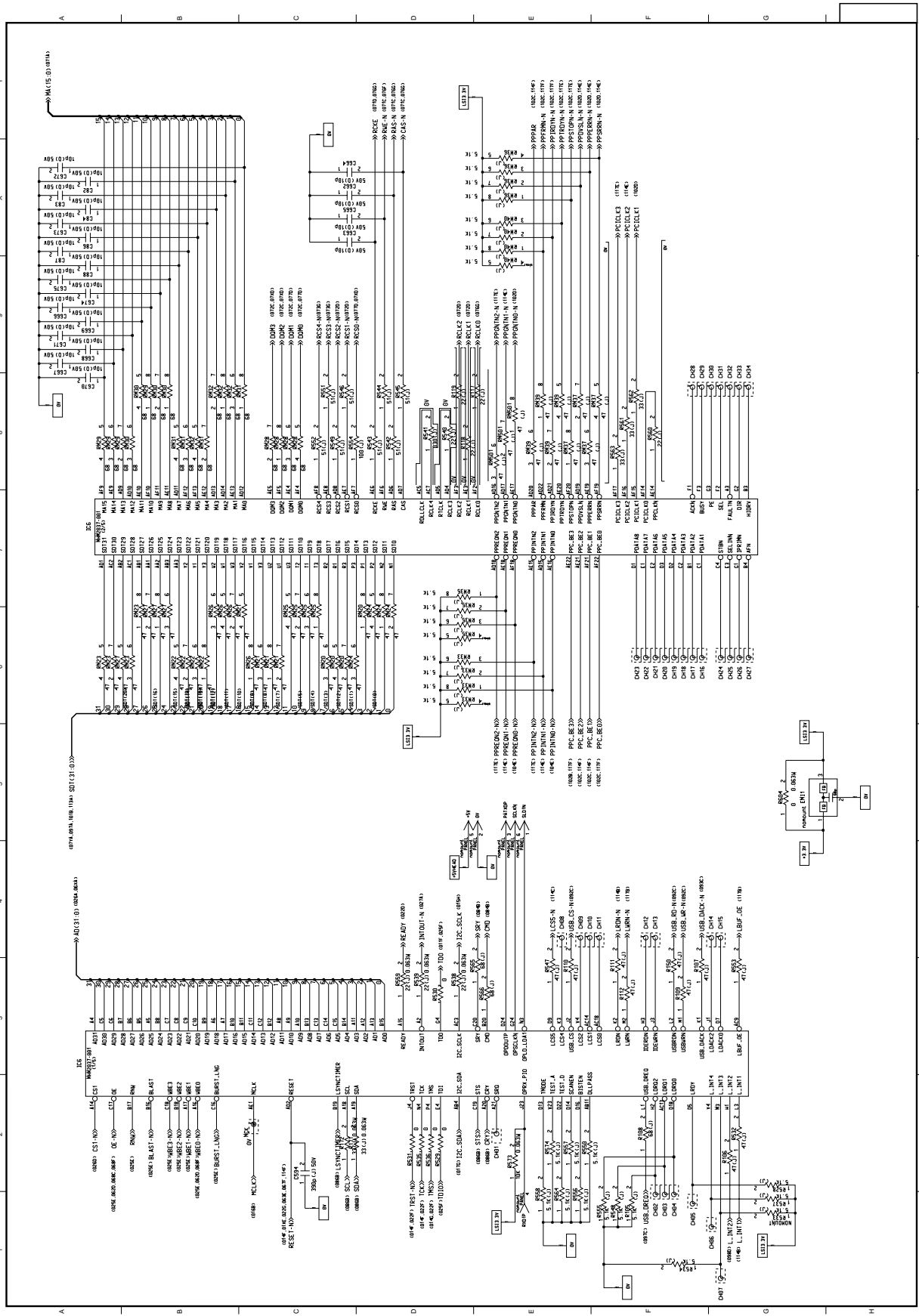


Figure 1-10 Main Controller PWB (ARC Rev.1) (3/15)

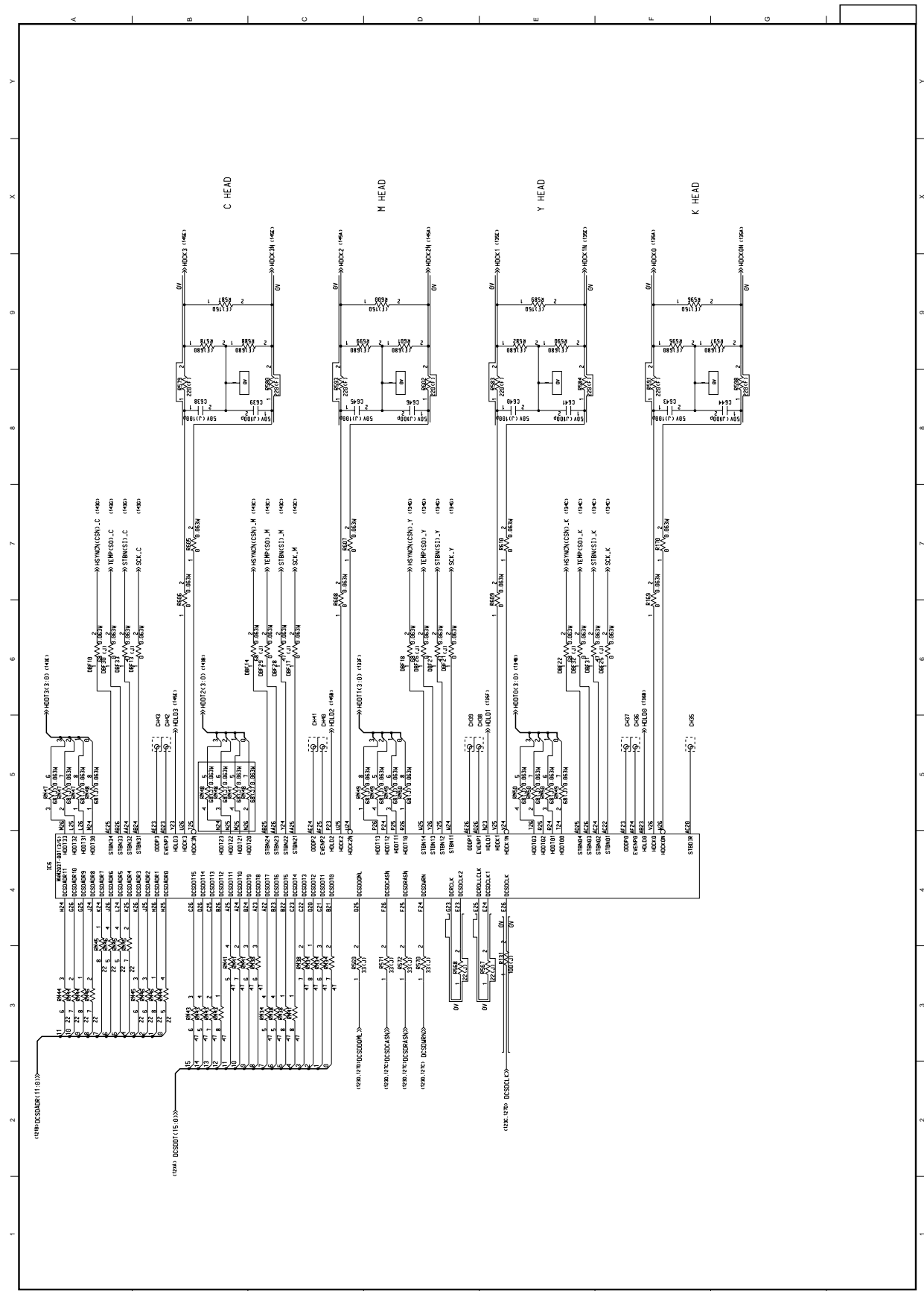


Figure 1-10 Main Controller PWB (ARC Rev.1) (4/15)

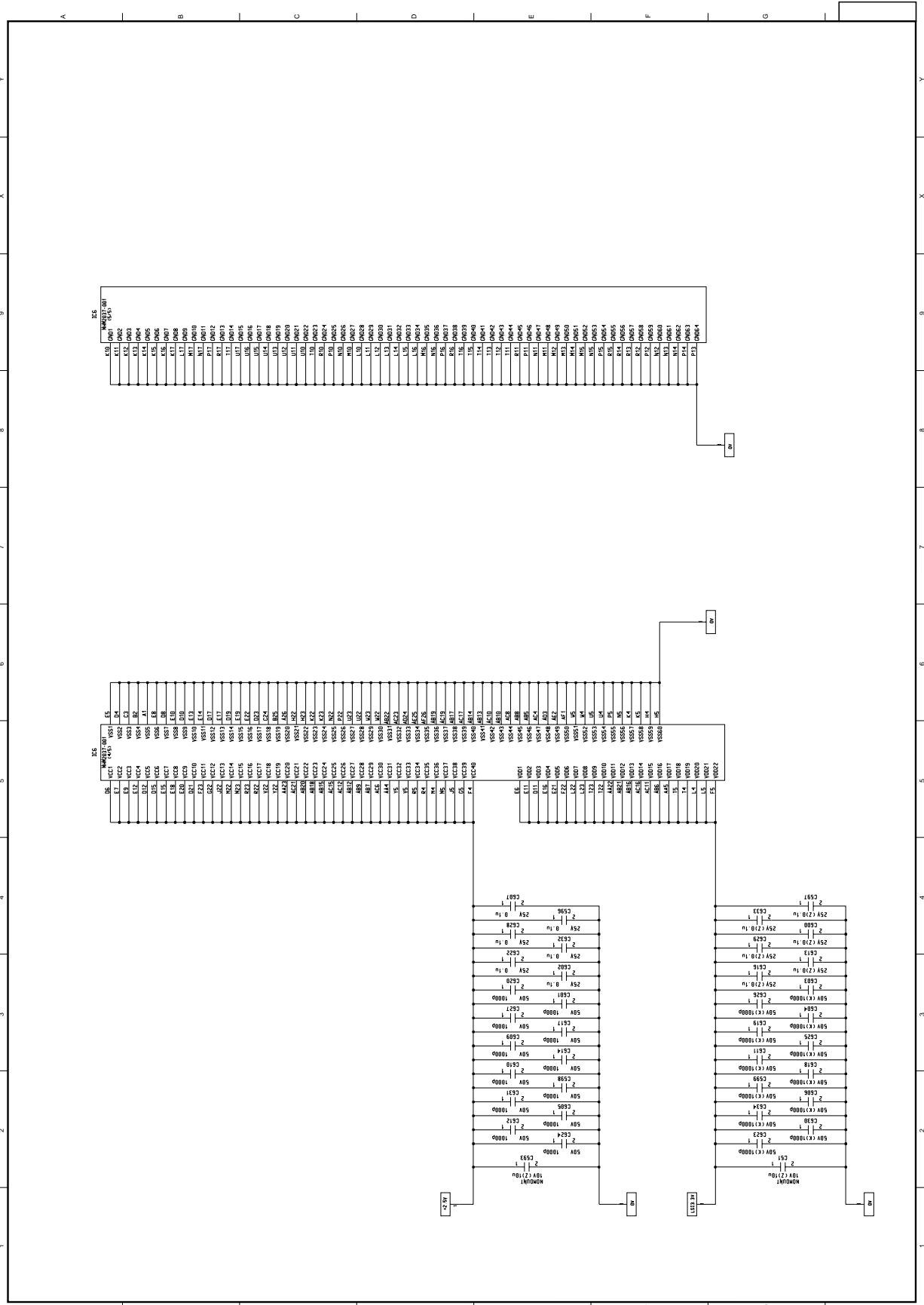


Figure 1-10 Main Controller PWB (ARC Rev.1) (5/15)

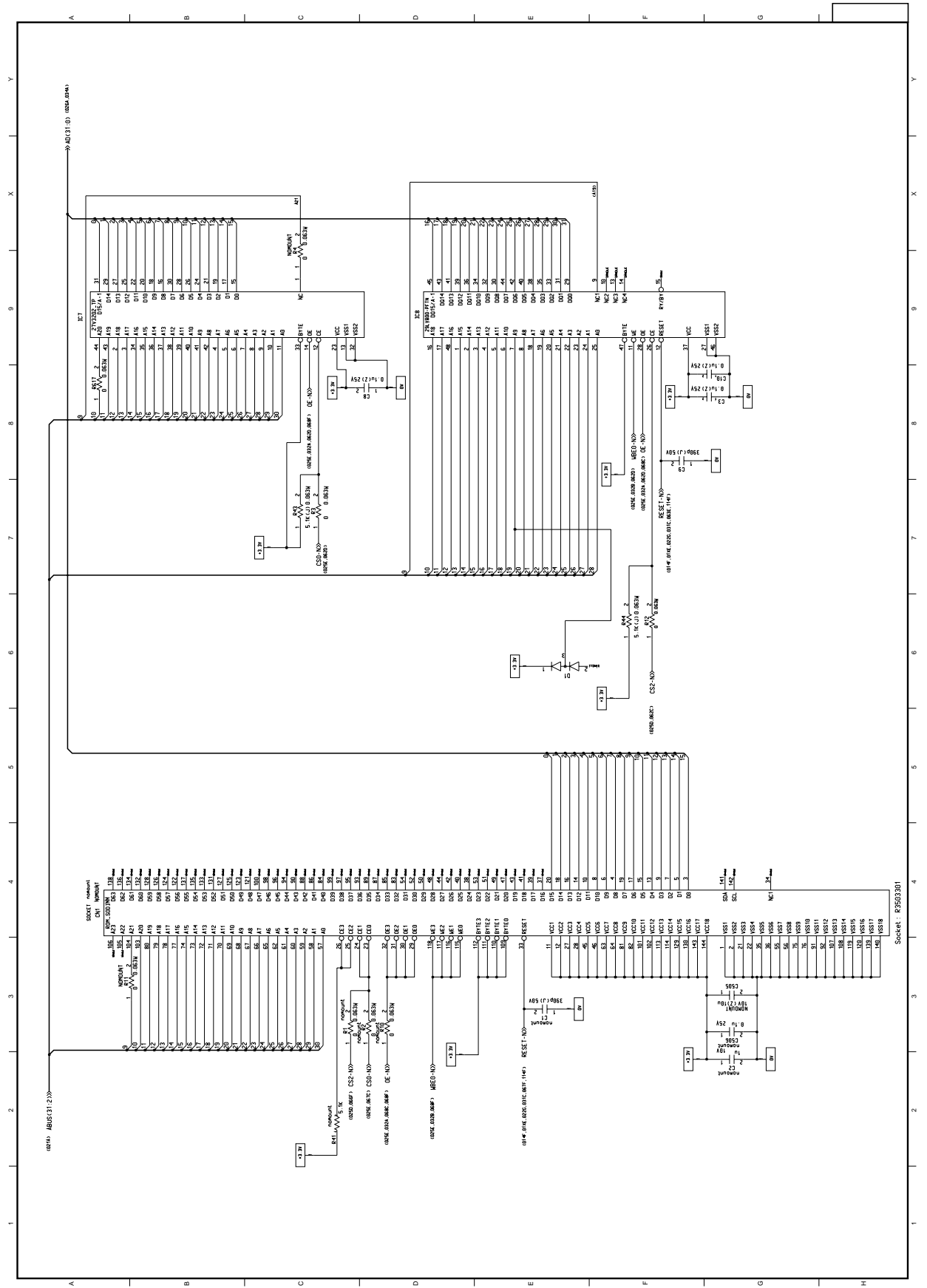


Figure 1-10 Main Controller PWB (ARC Rev.1) (6/15)

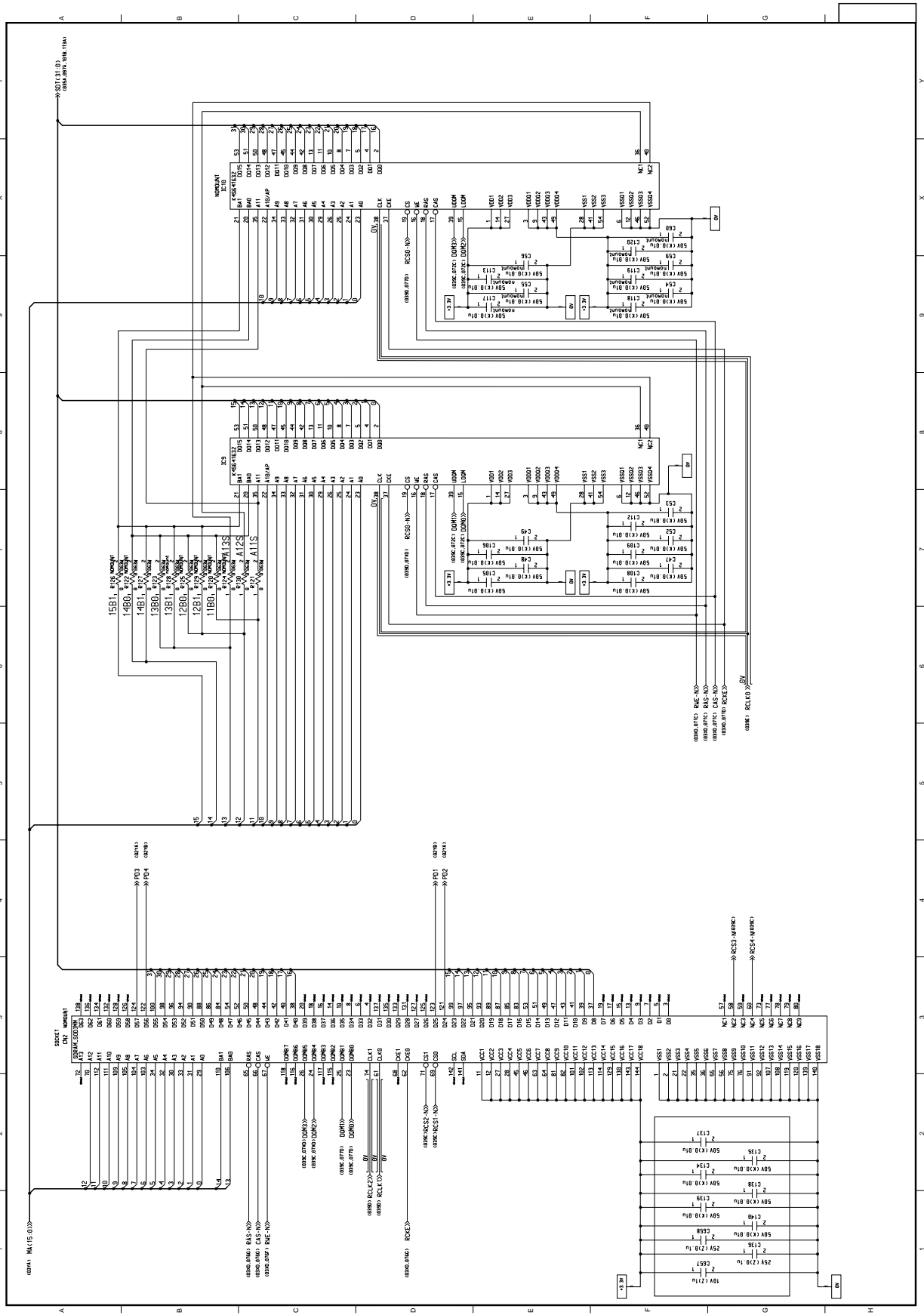


Figure 1-10 Main Controller PWB (ARC Rev.1) (7/15)

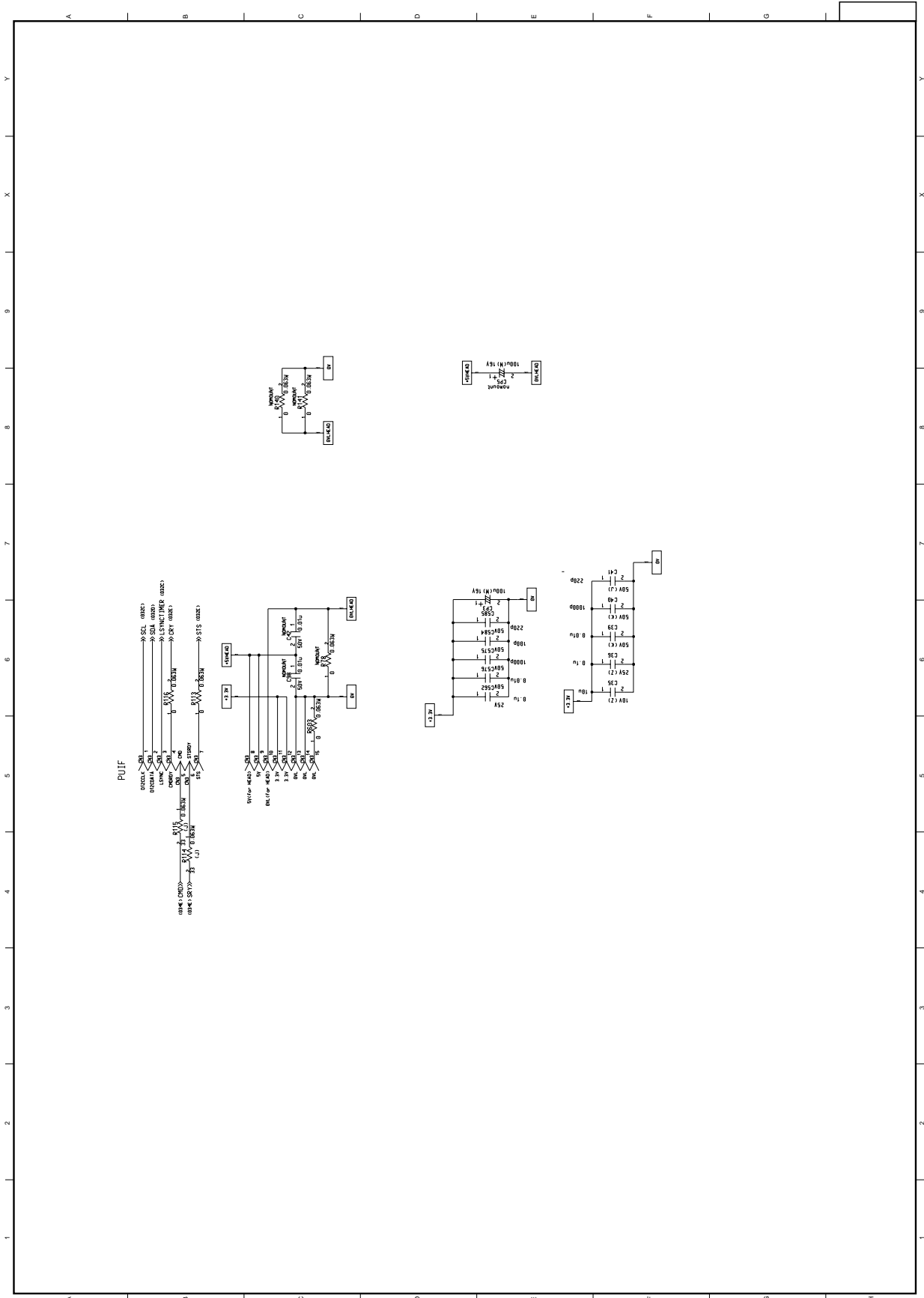


Figure 1-10 Main Controller PWB (ARC Rev.1) (8/15)

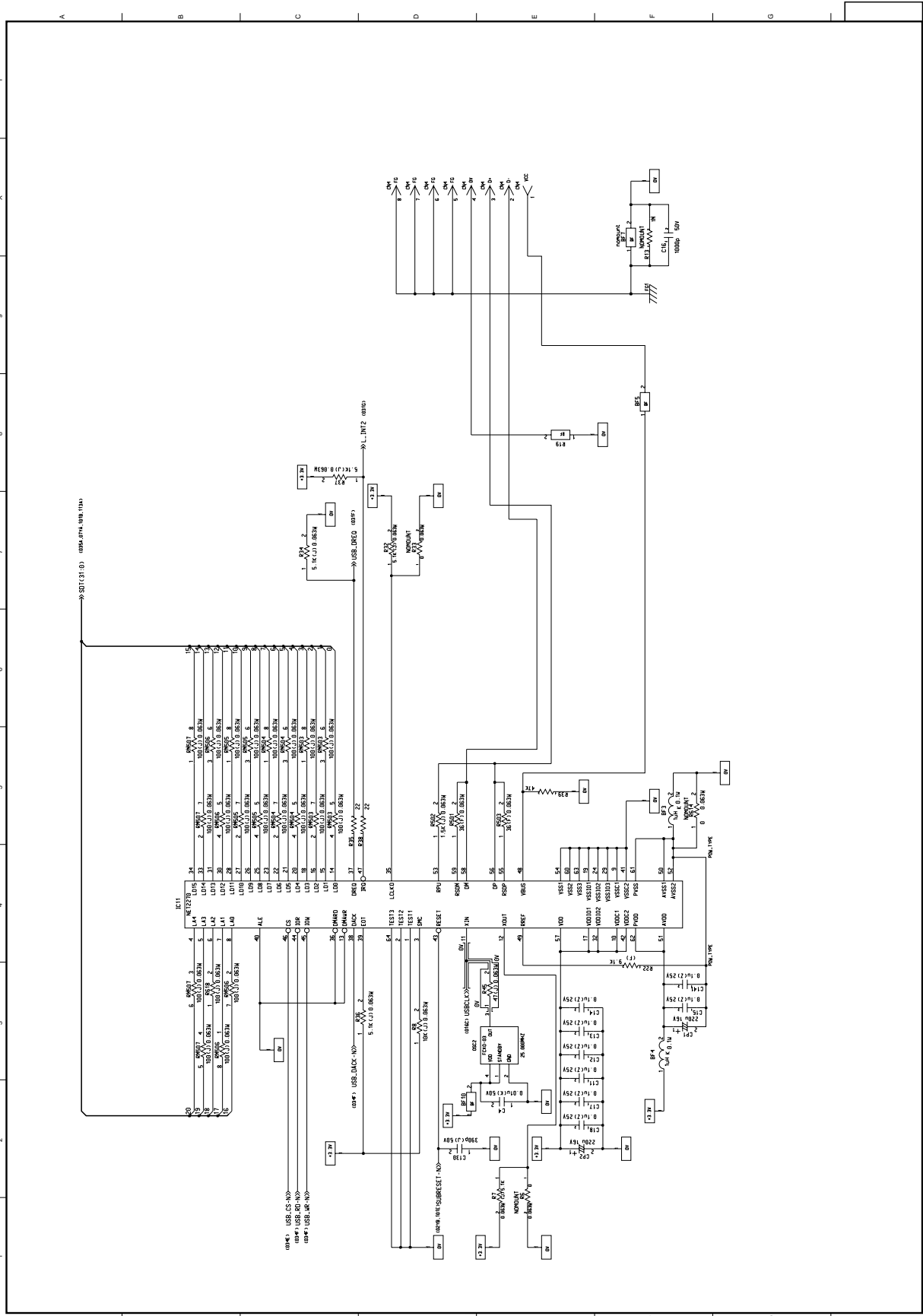


Figure 1-10 Main Controller PWB (ARC Rev.1) (9/15)

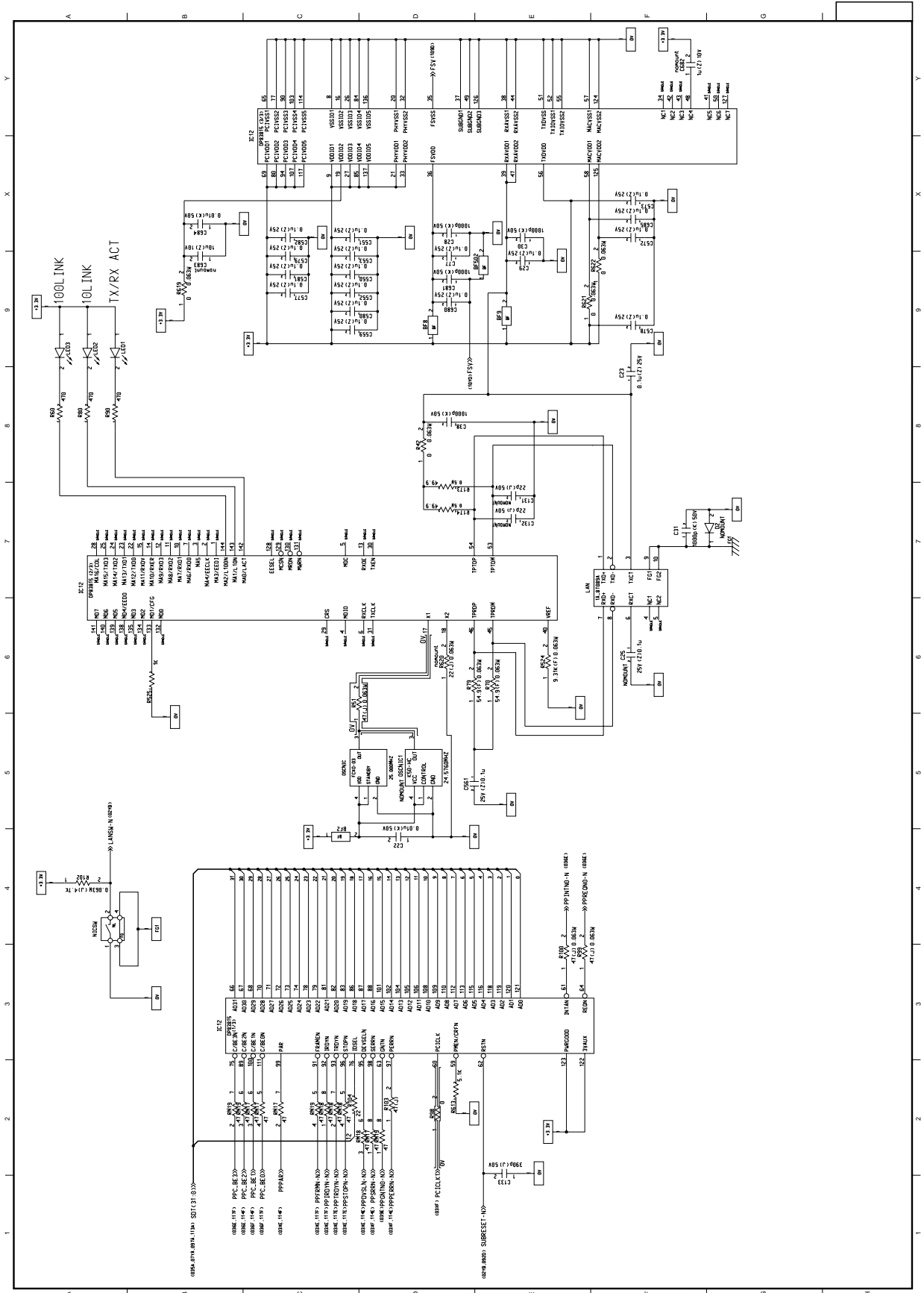


Figure 1-10 Main Controller PWB (ARC Rev.1) (10/15)

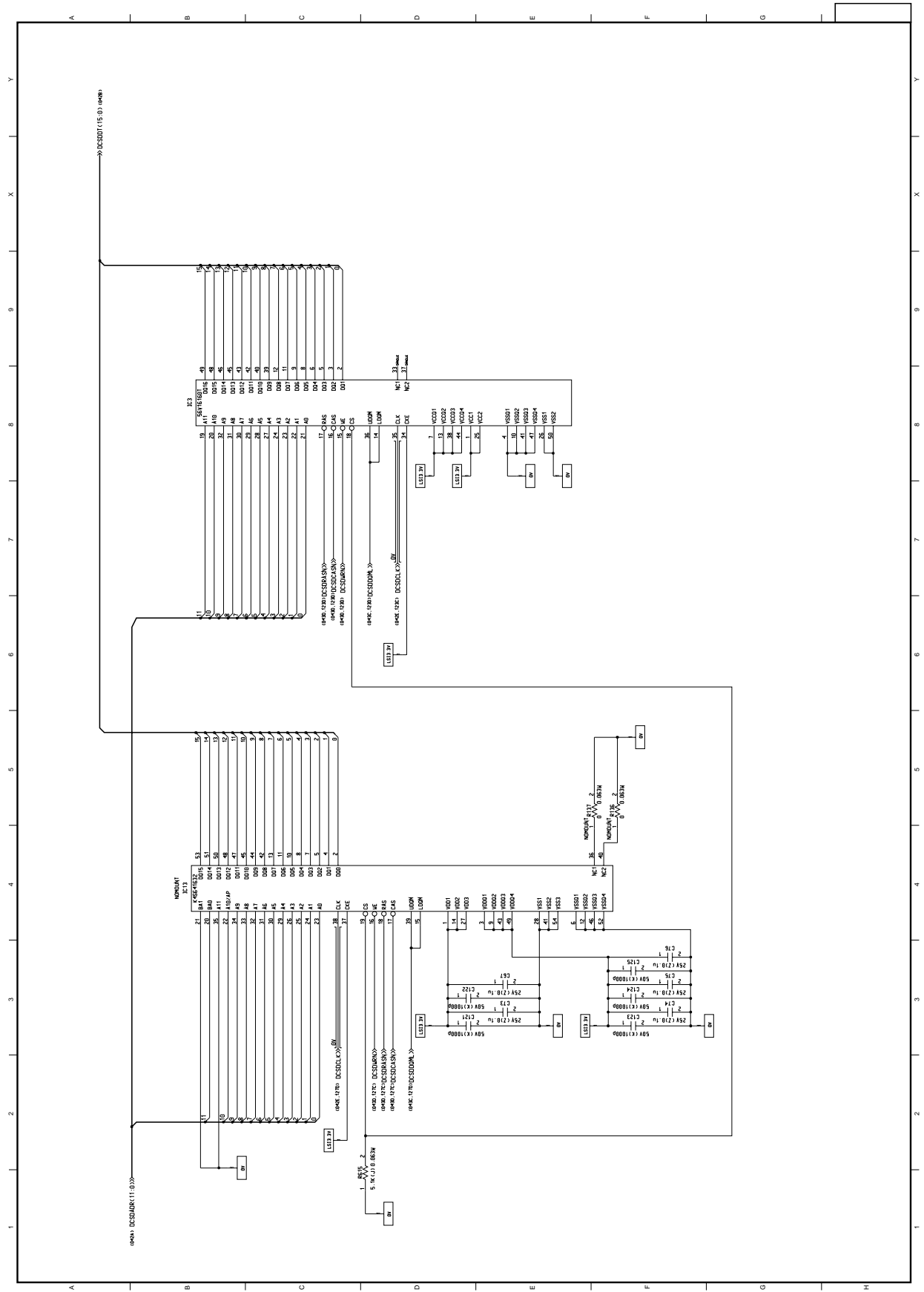


Figure 1-10 Main Controller PWB (ARC Rev.1) (12/15)

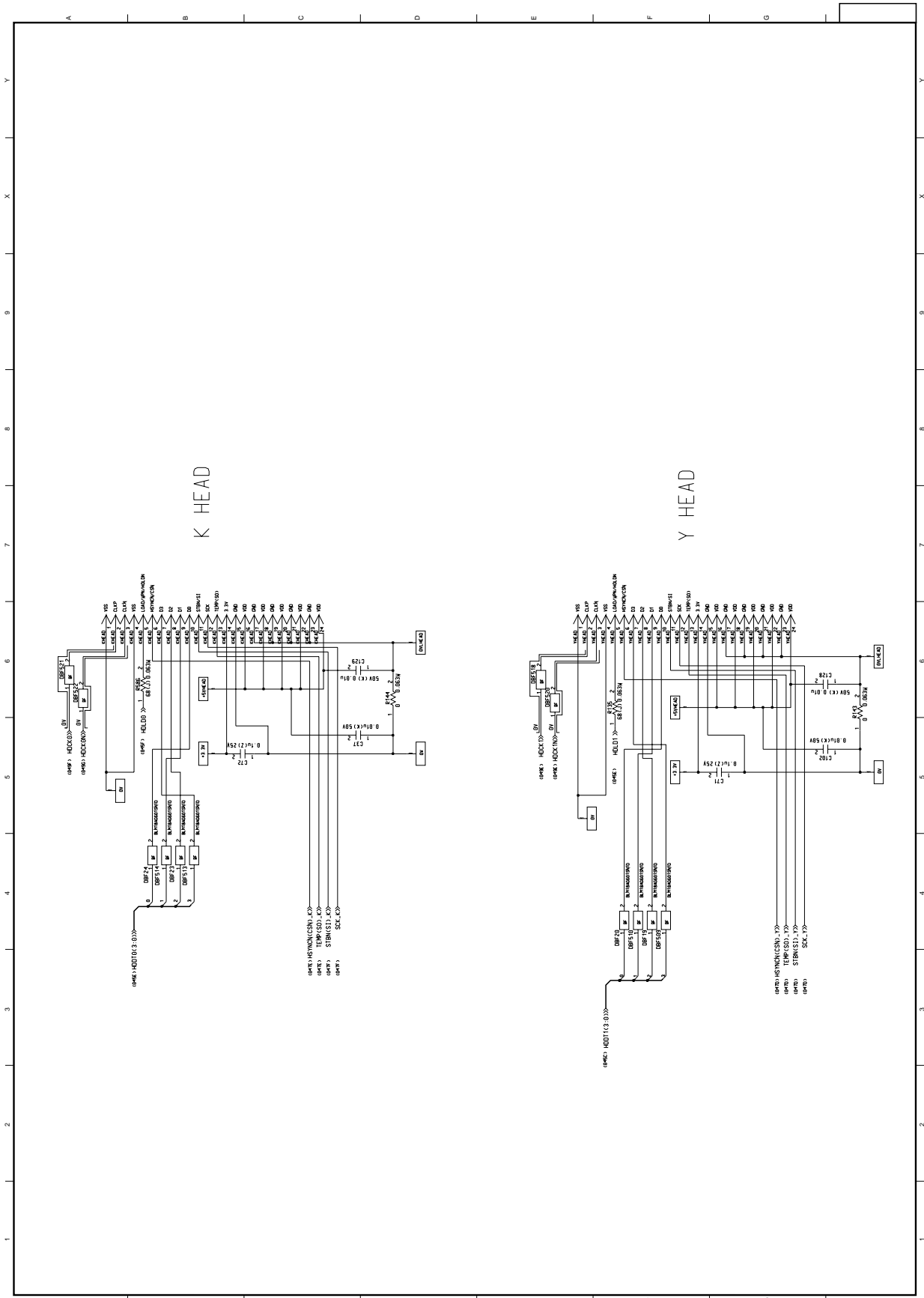


Figure 1-10 Main Controller PWB (ARC Rev.1) (13/15)

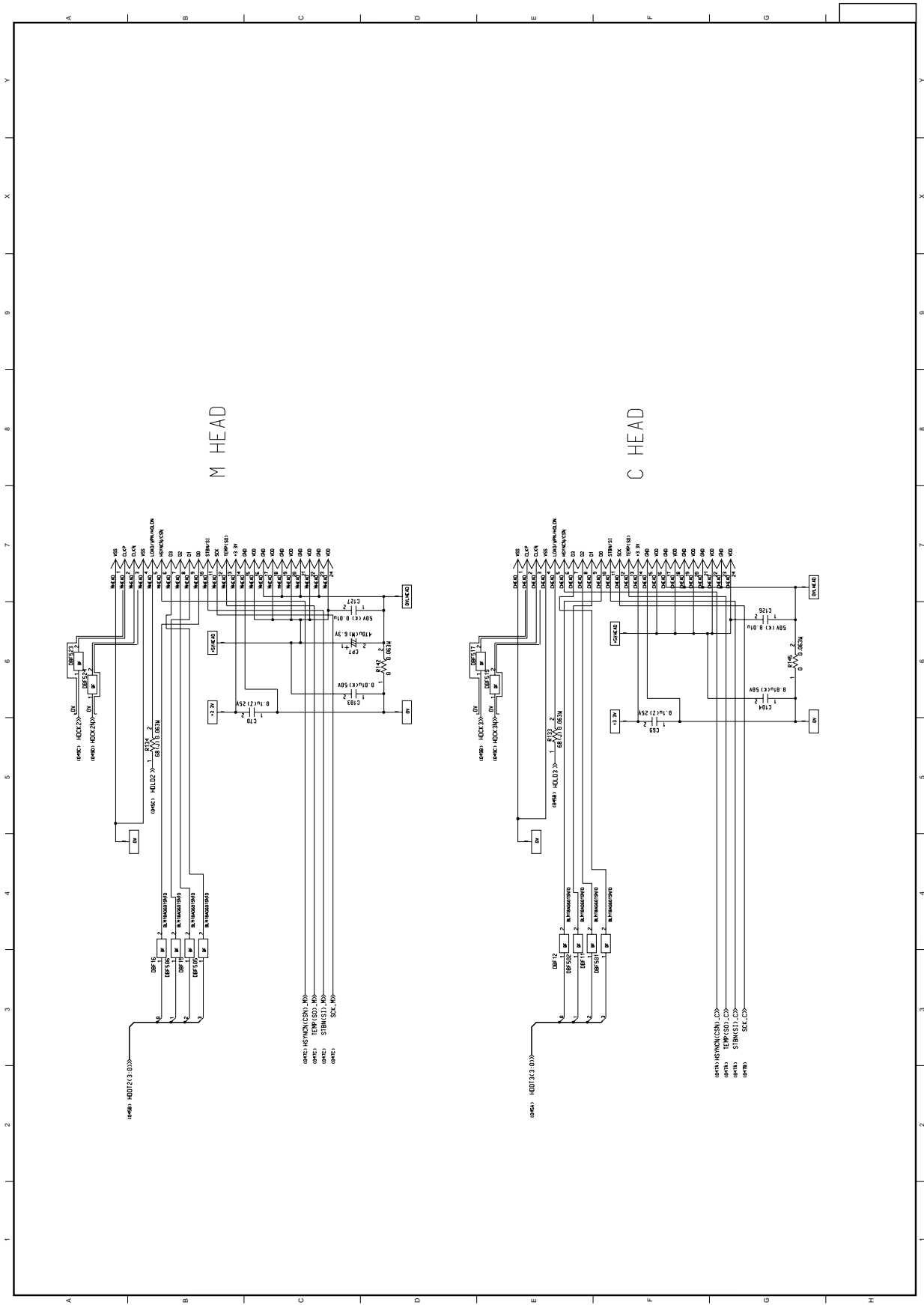
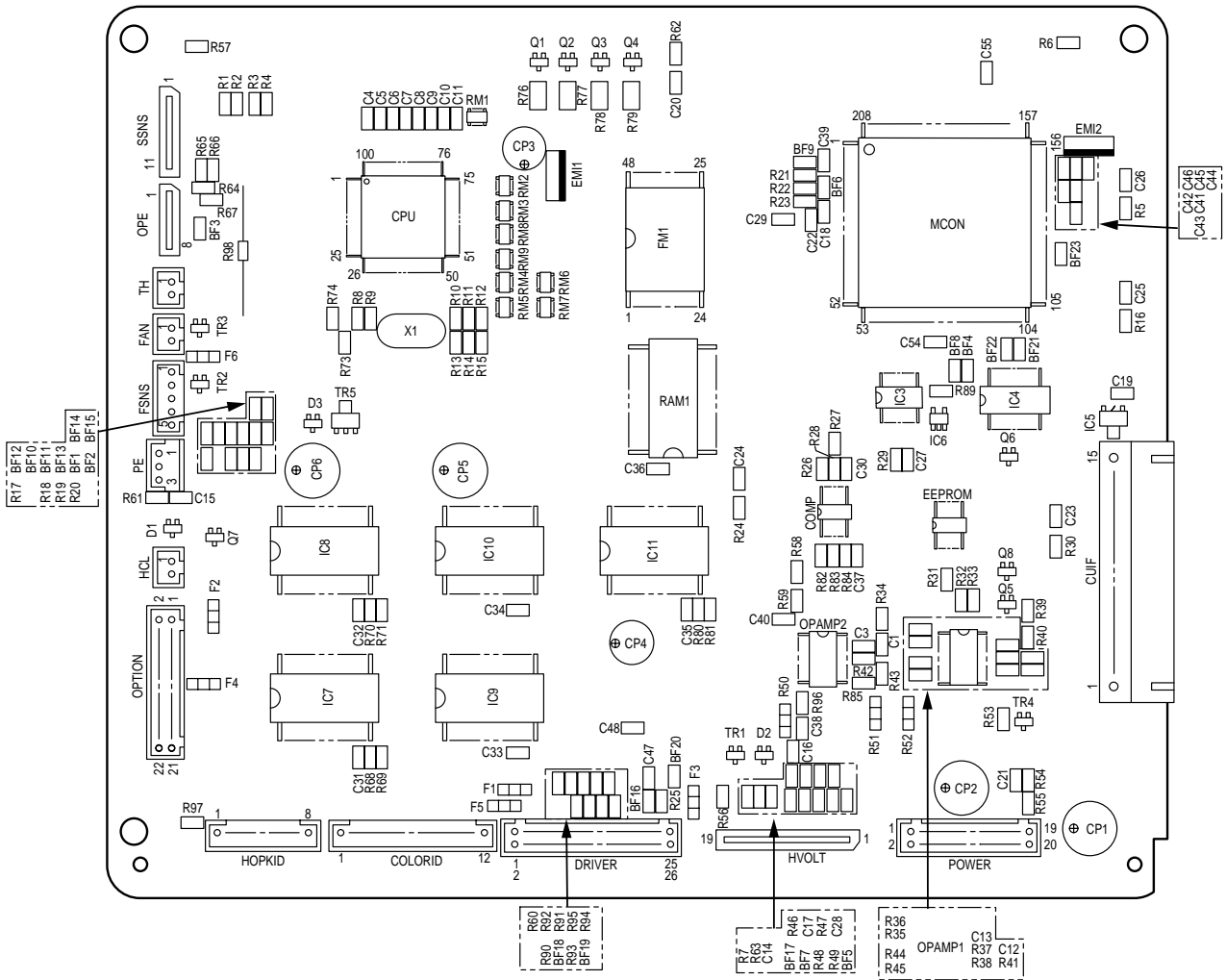


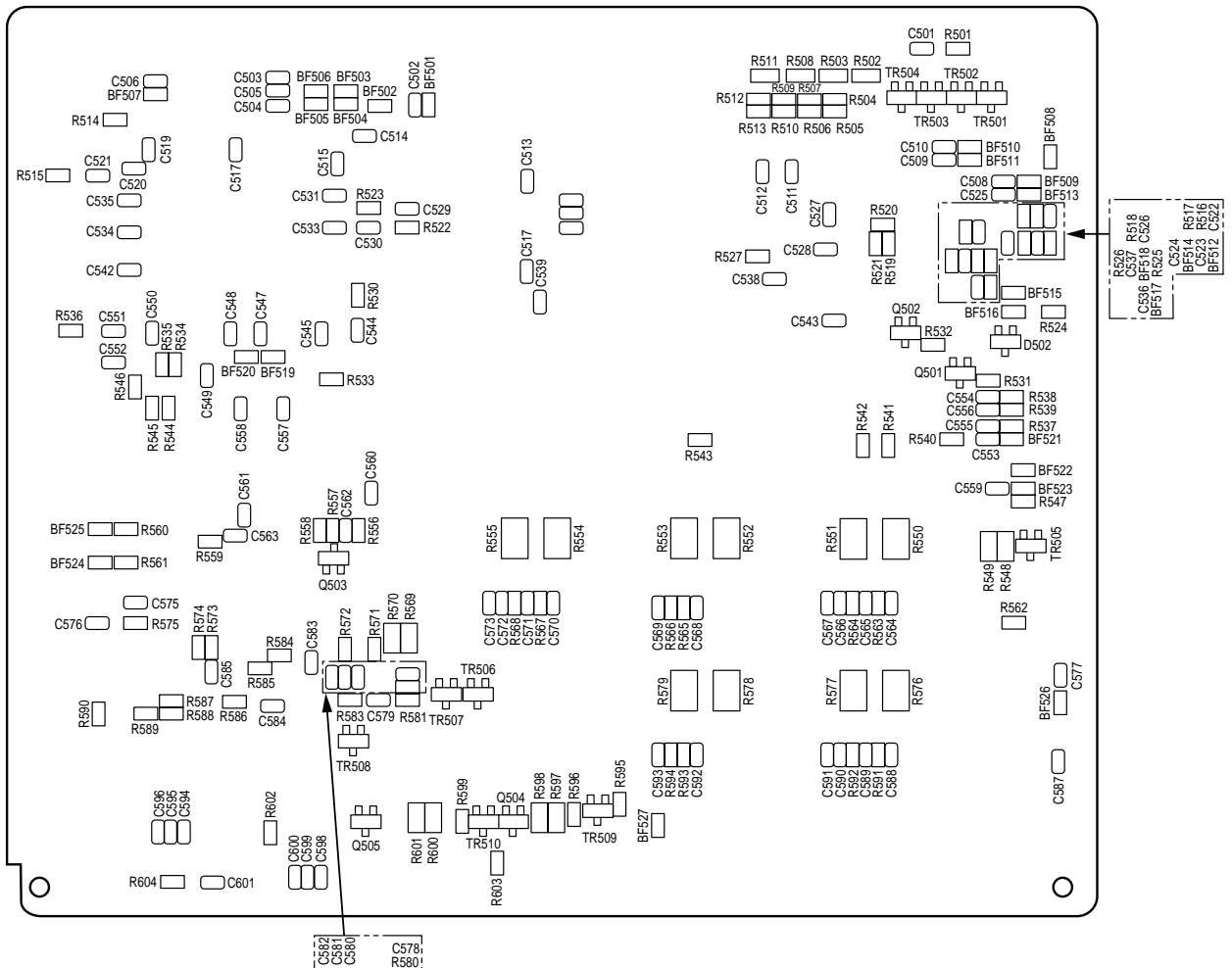
Figure 1-10 Main Controller PWB (ARC Rev.1) (14/15)

2. COMPONENT PARTS LIST

Print Engine Controller PWB	(RSN C5300/C5100)	41903401
Driver PWB	(RSM C5300/C5100)	41938801
Option Control PWB	(V7X C5300/C5100)	41768408
Duplex Control PWB	(V7X C5300/C5100)	41768409
Control Panel PWB	(RSP C5300/C5100)	41938501
Toner Low Sensor PWB	(PRD C5300/C5100)	41903701
Entrance Sensor PWB	(RSF C5300/C5100)	41938601
Color Registration Sensor PWB	(Z71 C5300/C5100)	41206401
Main Controller PWB	(OWL C5300)	41964401
Main Controller PWB	(ARC C5100)	41939101



**RSN-PCB (Print Engine Controller PWB) C5300/C5100
(41903401-1/8)**



**RSN-PCB (Print Engine Controller PWB) C5300/C5100
(41903401-2/8)**

**RSN-PCB (Print Engine Controller PWB) C5300/C5100
(41903401-3/8)**

REF. NO.	SYMBOL	TYPE/NAME	PART NO.	Q'TY	REMARKS
1	D1~D3, D502	SS100MA80VKCP D-Signal (CP)	611A0000N0002	4	
2					
3	R27, R32, R41, R68, R70, R80, R84	CR/RK73H/ERJ/MCRF102 RES-MET RN -C	3235003F0102	7	
4	R1~R4, R596, R599	CR/RK73H/ERJ/MCRF134 RES-MET RN -C	3235003F0134	6	
5	R38, R39, R69, R71, R81	CR/RK73H/ERJ/MCRF153 RES-MET RN -C	3235003F0153	5	
6	R83, R541, R556	CR/RK73H/ERJ/MCRF202 RES-MET RN -C	3235003F0202	3	
7	R504, R505, R509, R510, R558, R595, R603	CR/RK73H/ERJ/MCRF204 RES-MET RN -C	3235003F0204	7	
8	R557, R573, R589	CR/RK73H/ERJ/MCRF302 RES-MET RN -C	3235003F0302	3	
9	R28	CR/RK73H/ERJ/MCRF432 RES-MET RN -C	3235003F0432	1	
10	R26	CR/RK73H/ERJ/MCRF472 RES-MET RN -C	3235003F0472	1	
11	R524	CR/RK73H/ERJ/MCRF512 RES-MET RN -C	3235003F0512	1	
12	R60, R506, R507, R512, R513, R517, R590	CR/RK73H/ERJ/MCRF513 RES-MET RN -C	3235003F0513	7	
13	R5, R16, R24, R30, R61, R62, R501, R515, R522, R523, R530, R536, R540, R575, R584, R604	CR/RK73K/ERJ/MCRJ100 RES-MET RN -C	3235003J0100	16	
14	R46, R47, R49, BF519, BF520	CR/RK73K/ERJ/MCRJ101 RES-MET RN -C	3235003J0101	5	
15	R21~R23, R54, R63, R90~R96, R514, R516, R518, R526, R533~ R535, R542, R543, R545	CR/RK73K/ERJ/MCRJ102 RES-MET RN -C	3235003J0102	22	

**RSN-PCB (Print Engine Controller PWB) C5300/C5100
(41903401-4/8)**

REF. NO.	SYMBOL	TYPE/NAME	PART NO.	Q'TY	REMARKS
16	R8, R13~R15, R35, R44, R45, R48, R53, R520, R546, R559~R561, R571, R572, R585	CR/RK73K/ERJ/MCRJ103 RES-MET RN -C	3235003J0103	17	
17	R9, R519, R521	CR/RK73K/ERJ/MCRJ104 RES-MET RN -C	3235003J0104	3	
18	R563~R568, R591~R594	CR/RK73K/ERJ/MCRJ203 RES-MET RN -C	3235003J0203	10	
19	R527	CR/RK73K/ERJ/MCRJ300 RES-MET RN -C	3235003J0300	1	
20	R7, R17~R20, R29, R33, R36, R43, R58, R59, R89, R586, R587	CR/RK73K/ERJ/MCRJ332 RES-MET RN -C	3235003J0332	14	
21	R25, R73, R525, R537~R539, R547	CR/RK73K/ERJ/MCRJ473 RES-MET RN -C	3235003J0473	7	
22	R31, R55, R56, R82, R544	CR/RK73K/ERJ/MCRJ512 RES-MET RN -C	3235003J0512	5	
23	R531, R532	CR/RK73K/ERJ/MCRJ621 RES-MET RN -C	3235003J0621	2	
24	R34, R37, R40, R42, R580, R583	CR/RK73K/ERJ/MCRJ682 RES-MET RN -C	3235003J0682	6	
25	R10~R12	CR/RK73K/ERJ/MCRJ750 RES-MET RN -C	3235003J0750	3	
26	R64~R67	CR/RK73K/ERJ/MCRJ823 RES-MET RN -C	3235003J0823	4	
27	R50~R52	CR1/8 750 JV RES-MET RN -C	3235015J0750	3	
28	R550~R555, R576~R579	CR1/4 1R0 JV RES-MET RN -C	3235020J0109	10	
29	R76~R79, R502, R503, R508, R511, R548, R549, R569, R570, R597, R598, R600, R601	RM73B2A202J RES RN (CP)	323A5003J0202	16	
30	R98	RSS2YVTP-75ohmJ RES-MET OX -Q	3241024J0750	1	

**RSN-PCB (Print Engine Controller PWB) C5300/C5100
(41903401-5/8)**

REF. NO.	SYMBOL	TYPE/NAME	PART NO.	Q'TY	REMARKS
31	R6, R57, R74, R85, R97, R562, R574, R581, R588, R602	CR/RK73Z/ERJ/MCRJ-0V RES-Zero ohm -C	3255003P0001	10	
32	RM1~RM5, RM8, RM9	CN1J/EXB/BCN100ohmJ RES-Block -C	3345003J0101	7	
33	RM6, RM7	CN1J/EXB/BCN5.1KohmJ RES-Block -C	3345003J0512	2	
34					
35	C14, C16~C18, C28, C29, C38, C41~C46, C55, C502~C506, C520, C523, C524, C536, C552, C563, C575, C587	GRM/UMK/MCH/391CH CAP-Ceramic -C	3033003C0391	27	
36	C21, C22, C27, C39, C54, C508~C510, C525, C537, C549, C559	GRM/UMK/MCH/680CH CAP-Ceramic -C	3033003C0680	12	
37	C15, C20, C23~C26, C30, C501, C521, C529, C530, C544, C551, C553, C562, C564, C565, C568~ C571, C576, C583, C588, C589, C592, C593, C601	GRM/UMK/MCH/102B 50V CAP-Ceramic -C	3036003K0102	28	
38	C4, C5, C514, C543	GRM/UMK/MCH/103B 50V CAP-Ceramic -C	3036003K0103	4	
39	C3, C578	GRM/ TMK/ MCH/223B 25V CAP-Ceramic -C	3036003K0223	2	
40	C1, C40, C47, C48, C554~C556, C566, C567, C572, C573, C579, C584, C590, C591	GRM/TMK/MCH/473B 25V CAP-Ceramic -C	3036003K0473	15	
41	C6~C11, C19, C31~C37, C511~C513, C515, C517, C519, C522, C526~C528, C531, C533~C535, C538, C539, C542, C545, C547, C548, C550, C557, C558, C560, C561, C577, C580~C582, C585, C594, C598~C600	GRM/ TMK/ MCH/ 104Z 25V CAP-Ceramic -C	3036003Z0104	48	

**RSN-PCB (Print Engine Controller PWB) C5300/C5100
(41903401-6/8)**

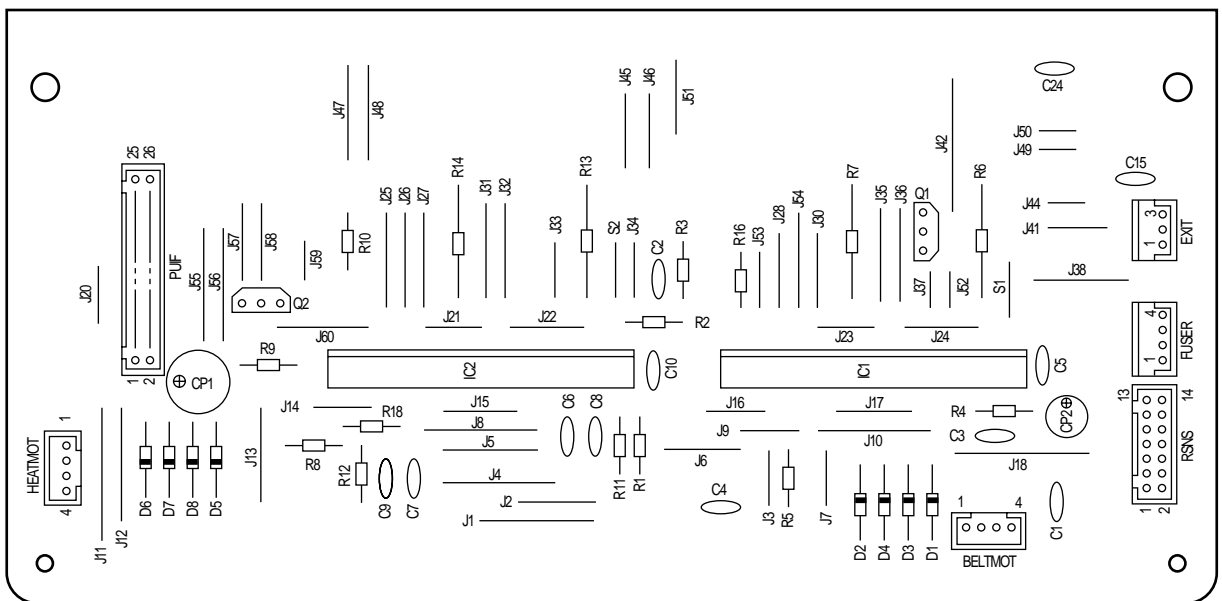
REF. NO.	SYMBOL	TYPE/NAME	PART NO.	Q'TY	REMARKS	
42	C12, C13, C595, C596	GRM/LMK/MCH/105Z CAP-Ceramic	10V -C	3036003Z0105	4	
43	CP1, CP2	KMG10VB-470M-FC CAP-CE	10V 470 μ F	304A1180A1471	2	
44	CP3	KMG25VB-100M-FC CAP-CE	25V 100 μ F	304A1180E1101	1	
45	CP5, CP6	KMG50VB-100M-FC CAP-CE	50V 100 μ F	304A1180H1101	2	
46	CP4	KMG50VB-47M-FC CAP-CE	50V 47 μ F	304A1180H1470	1	
47						
48						
49	IC4	74LS07FP Digital IC-BIP	(SO)	700A0503N0007	1	
50	IC3	74AHCT245PW/PWR Digital IC-MOS	-B	7022903N3245	1	
51	MCON	UPD65946GD-137-LML Digital IC-MOS	-F	7024923N1173	1	
52	OPAMP1, OPAMP2	LMV324IDR Analog-BIPLIN	-B	7200050N0001	2	
53	IC7-IC11	TA84002F(EL) Analog-BIPLIN	-B	7201825N0001	5	
54	IC6	M62782GP-C60J Analog-BIPLIN	-C	7204022N0001	1	
55	IC5	M62733ML-600C Analog-BIPLIN	-C	7204022N0002	1	
56	COMP	UPC393G2 BIPLIN-IC	(SO)	720A0523N0011	1	
57	RAM1	52256CN-70LL MemoryIC-MOSSRAM	-S	8040003N8303	1	
58	EEPROM	M93C66-WMN6T MemoryIC-MOSEEPR	-S	8162335N0000	1	

**RSN-PCB (Print Engine Controller PWB) C5300/C5100
(41903401-7/8)**

REF. NO.	SYMBOL	TYPE/NAME	PART NO.	Q'TY	REMARKS
59	CPU	MSM66577-019TB CPU-MOS(ROM) -F	8530351N0005	1	
60	FM1	PX714/715 PU FLASH	42136001	1	
61					
62	TR1~TR3, TR501~ TR505, TR509, TR510	2SA1338/2SB1198KT TR-PNP/H -C	6001003N0002	10	
63	Q8	2SA1520/RN2427 TR-PNP/H -C	6001103N0001	1	
64	Q1~Q5, Q7, Q502~Q505	DTC123YK/YKAT146 TR-NPN/H -C	6021003N0004	10	
65	Q6, Q501	DTC124EKAT146 TR-NPN/H -C	6021035N0004	2	
66	TR4, TR506~TR508	2SC3361/2SC2412KVL NPN-HF-TR (CP)	602A1003N0002	4	
67	TR5	2SD1472 NPN-LF-TR (CP)	603A1121N0007	1	
68					
69	POWER	B20B-PHDSS Connector-PCB -	2243004P0200	1	
70	OPTION	B22B-PHDSS Connector-PCB -	2243004P0220	1	
71	DRIVER	B26B-PHDSS Connector-PCB -	2243004P0260	1	
72	CUIF	S15B-XH-A Connector-PCB -	2243014P0150	1	
73	OPE	04 6232 108 008 800 Connector-PCB -B	2243105P0080	1	
74	SSNS	04 6232 111 008 800 Connector-PCB -B	2243105P0110	1	
75	HVOLT	04 6232 119 008 800 Connector-PCB -B	2243105P0190	1	

**RSN-PCB (Print Engine Controller PWB) C5300/C5100
(41903401-8/8)**

REF. NO.	SYMBOL	TYPE/NAME	PART NO.	Q'TY	REMARKS
76	TH	B2B-PH-K-R Connector-PCB -B	2243500P0021	1	
77	FAN	B2B-PH-K-Y Connector-PCB -B	2243500P0022	1	
78	PE	175487-3 Connector-PCB -B	2244005P0030	1	
79	HCL	B2B-PH-K-S Connector-PC	224A3529P0020	1	
80	FSNS	B5B-PH-K-S Connector-PC	224A3529P0050	1	
81	HOPKID	B8B-PH-K-S Connector-PC	224A3529P0080	1	
82	COLORID	B12B-PH-K-S Connector-PC	224A3529P0120	1	
83					
84	X1	CSTLA28M0X51-A0 OSC-Ceramic -P	3811004B0004	1	
85					
86	BF508, BF515, BF521, BF522, BF526, BF527	BLM18PG300SN1D Core -C	1055001C0001	6	
87	BF1~BF23, BF501~ BF507, BF509~ BF514, BF516~BF518, BF523~ BF525	BLM18BD182SN1D Core -C	1055001C0002	42	
88	EMI1, EMI2	ZJSC-R47-181 EMI Filter	324A1012P1181	2	
89					
90	F1~F6	429-002WR FUSE -C	5402205S7202	6	



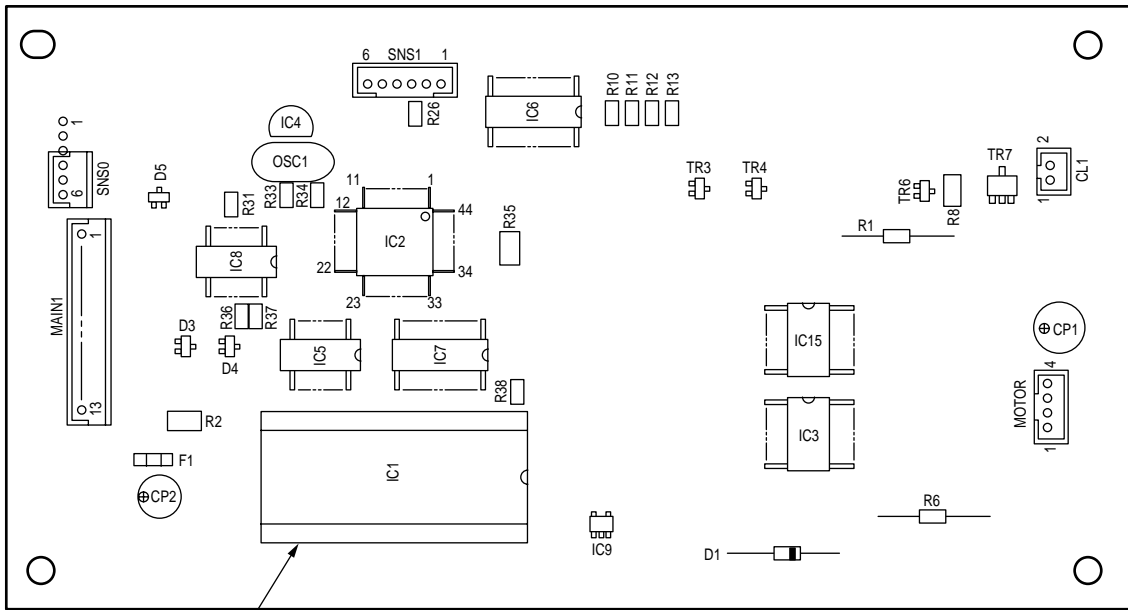
RSM-PWB (Driver PWB)
(41938801-1/3)

**RSM-PWB (Driver PWB)
(41938801-2/3)**

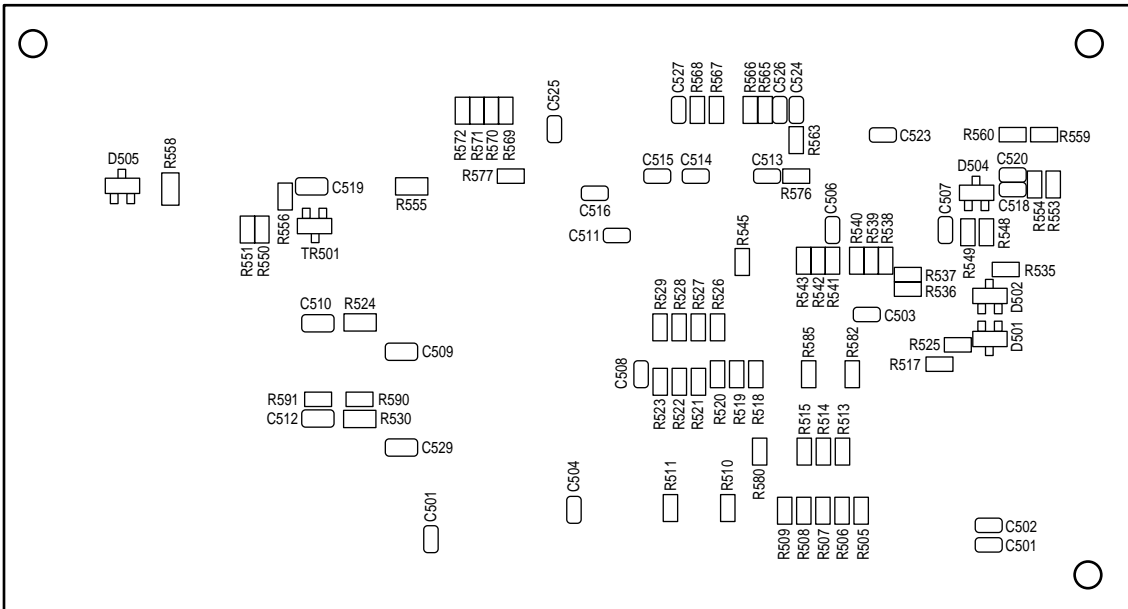
REF. NO.	SYMBOL	TYPE/NAME	PART NO.	Q'TY	REMARKS
1	D1-D8	D1NS4-4060 D-Rectifying	6100327M0001	8	
2					
3	R1, R8	SN14K/RNM1/4-912 RES-MET RN	3231203F0912	2	
4	R2, R9	SN14KRN1/4-102F RES-MET RN	3231203F0102	2	
5	R3, R10	SN14KRN1/4-153F RES-MET RN	3231203F0153	2	
6	R16, R18	NAT1/4/RD166S-103J RES-MET RN	3211003J0103	2	
7	R4, R5, R11, R12	NAT1/4/RD166S-5103J RES-MET RN	3211003J0513	4	
8	R6, R7, R13, R14	RNS1-0.51ΩJ RES RS	324A1012J0518	4	
9					
10	C3, C4, C8, C9	RD16XR/CK92C1H681 CAP-Ceramic	3034003M3681	4	
11	C2, C5, C7, C10, C15	CK92C1H104MS CAP-CK	303A4115M3104	5	
12	C1, C6	CK92C1H473MS CAP-CK	303A4115M3473	2	
13	CP2	UVX/SME-16V-47μF CAP-Alum	3041003C1470	1	
14	CP1	KMG50VB-100M-FC CAP-CE	304A1180H1101	1	
15					
16	Q1, Q2	DTC114ESA NPN-HF-TR	602A1035M0007	2	
17	IC1, IC2	MTD2123 Analog-BIPLIN	7201816M0002	2	

**RSM-PWB (Driver PWB)
(41938801-3/3)**

REF. NO.	SYMBOL	TYPE/NAME	PART NO.	Q'TY	REMARKS
18					
19	RSNS	B14B-PHDSS Connector-PCB	2243004P0140	1	
20	PUIF	B26B-PHDSS Connector-PCB	2243004P0260	1	
21	EXIT	175487-3 Connector-PCB	2244005P0030	1	
22	FUSER	175487-4 Connector-PCB	2244005P0040	1	
23	BELTMOT, HEATMOT	B4B-PH-K-S PC Connector	224A3529P0040	2	
24					
25	J37, J44, J49, J50, J52, J59, C24	SHORT WIRE	TA-0.6	7	L=55mm P=5.0mm
26	J3, J7, J9, J14, J16, J20, J21, J23, J33, J34, J41, J53, S1, S2	SHORT WIRE	TA-0.6	14	L=55mm P=7.5mm
27	J2, J6, J15, J17, J22, J24, J28, J30, J45, J46, J51, J57, J58	SHORT WIRE	TA-0.6	13	L=55mm P=10.0mm
28	J5, J13, J25~J27, J31, J32, J35, J36, J38, J47, J48, J54, J60	SHORT WIRE	TA-0.6	14	L=55mm P=12.5mm
29	J1, J4, J8, J10, J12, J55, J56	SHORT WIRE	TA-0.6	7	L=55mm P=15.0mm
30	J11, J18, J42	SHORT WIRE	TA-0.6	3	L=55mm P=17.5mm



53



**V7X-PWB (Option Control PWB) C5300/C5100
(41768408-1/5)**

**V7X-PWB (Option Control PWB) C5300/C5100
(41768408-2/5)**

REF. NO.	SYMBOL	TYPE/NAME	PART NO.	Q'TY	REMARKS
1	D4, D501, D504	SS100MA80VACP D-Signal (CP)	611A0000N0001	3	
2	D3, D5, D502, D505	SS100MA80VKCP D-Signal (CP)	611A0000N0002	4	
3	D1	SHORT WIRE	TA-0.6	1	L=55mm P=15.0mm
4					
5	R551	CR/RK73H/ERJ/MCRF123 RES-MET RN -C	3235003F0123	1	
6	R550,R556	CR/RK73H/ERJ/MCRF162 RES-MET RN -C	3235003F0162	2	
7	R10~R13, R517, R525, R535, R548, R549, R554, R559, R565, R568	CR/RK73K/ERJ/MCRJ102 RES-MET RN -C	3235003J0102	13	
8	R38, R511, R519~R523, R526~R529, R536~R543, R569~R572	CR/RK73K/ERJ/MCRJ103 RES-MET RN -C	3235003J0103	23	
9	R591	CR/RK73K/ERJ/MCRJ203 RES-MET RN -C	3235003J0203	1	
10	R31	CR/RK73K/ERJ/MCRJ222 RES-MET RN -C	3235003J0222	1	
11	R505~R510, R513~R515, R518	CR/RK73K/ERJ/MCRJ330 RES-MET RN -C	3235003J0330	10	
12	R553, R560, R566, R567	CR/RK73K/ERJ/MCRJ473 RES-MET RN -C	3235003J0473	4	
13	R36, R37, R563, R590	CR/RK73K/ERJ/MCRJ512 RES-MET RN -C	3235003J0512	4	
14	R555	RM73B2A272J RES RN (CP)	323A5003J0272	1	
15	R524, R530	RM73B2A333J RES RN (CP)	323A5003J0333	2	
16	R8, R558	RM73B2A392J RES RN (CP)	323A5003J0392	2	
17	R2, R35, R501	2125JPW RN RESISTOR (CP)	323A5003P0001	3	

**V7X-PWB (Option Control PWB) C5300/C5100
(41768408-3/5)**

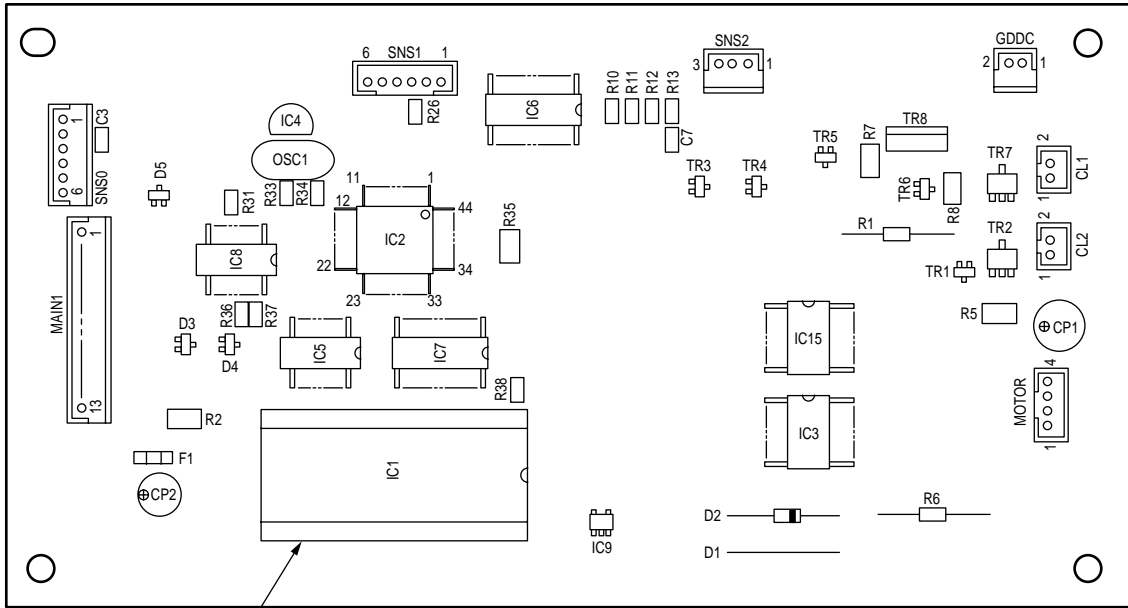
REF. NO.	SYMBOL	TYPE/NAME	PART NO.	Q'TY	REMARKS
18	R1, R6	RNS1-0.51ohmJ RES RS	324A1012J0518	2	
19	R26, R33, R34, R545, R576, R577, R580, R581, R585	CR/RK73Z/ERJ/MCRJ-0V RES-Zero ohm -C	3255003P0001	9	
20					
21	C506, C507, C513~C516, C518, C526, C527	GRM/UMK/MCH/680CH CAP-Ceramic -C	3033003C0680	9	
22	C503, C504, C508, C511, C520, C523~C525	GRM/ TMK/ MCH/ 104Z 25V CAP-Ceramic -C	3036003Z0104	8	
23	C501, C502	GRM/ TMK/ MCH/ 105Z 10V CAP-Ceramic -C	3036003Z0105	2	
24	C519	CC2012SL1H101J 50V CAP-CC (CP)	303A3007K0101	1	
25	C510, C512	CC2012SL1H102J 50V CAP-CC (CP)	303A3007K0102	2	
26	C509, C529	CK2012F1H104Z 50V CAP-CK (CP)	303A6008Z3104	2	
27					
28	CP2	UVX/SME-16VB-10-0A CAP-Alum -P	3041103C1100	1	
29	CP1	KMG50VB-47M 50V CAP-CE 47 μ F	304A1164H1470	1	
30					
31	IC8	SN74LS38NS Digital IC-BIP (SO)	700A0550N0038	1	
32	IC5	74HC00FP Digital IC-MOS (SO)	702A1703N0000	1	
33	IC6	74HC244FP Digital IC-MOS (SO)	702A1703N0244	1	
34	IC7	74HC373FP Digital IC-MOS (SO)	702A1703N0373	1	

**V7X-PWB (Option Control PWB) C5300/C5100
(41768408-4/5)**

REF. NO.	SYMBOL	TYPE/NAME	PART NO.	Q'TY	REMARKS
35	IC9	TC7S02F Digital IC-MOS (CP)	702A3225N0006	1	
36	IC3, IC15	A3955SLBTR Analog-BIPLIN -B	7201826M0002	2	
37	IC4	PST592D-2 BIPLIN-IC	720A4037M0015	1	
38	IC2	MSM65X512A-GS-2K CPU-MOS (ROM) -F	8530195N0001	1	
39					
40	TR4	2SA1338/2SB1198KT TR-PNP/H -C	6001003N0002	1	
41	TR7	2SB1123 PNP-LF-TR (CP)	601A1032N0002	1	
42	TR6, TR501	DTC124EKAT146 TR-NPN/H -C	6021035N0004	2	
43	TR3	DTC114EKA NPN-HF-TR (CP)	602A1035N0005	1	
44					
45	MOTOR	B4B-PH-K-S Connector-PC	224A3529P0040	1	
46	SNS0	175487-3 Connector-PCB -	2244005P0030	1	
47	MAIN1	1-175487-3 Connector-PCB -	2244005P0130	1	
48	CL1	B2B-PH-K-S Connector-PC	224A3529P0020	1	
49	SNS1	B6B-PH-K-S Connector-PC	224A3529P0060	1	
50					
51	OSC1	CSTLA10M0T55 OSC-Ceramic	381A1045B0014	1	

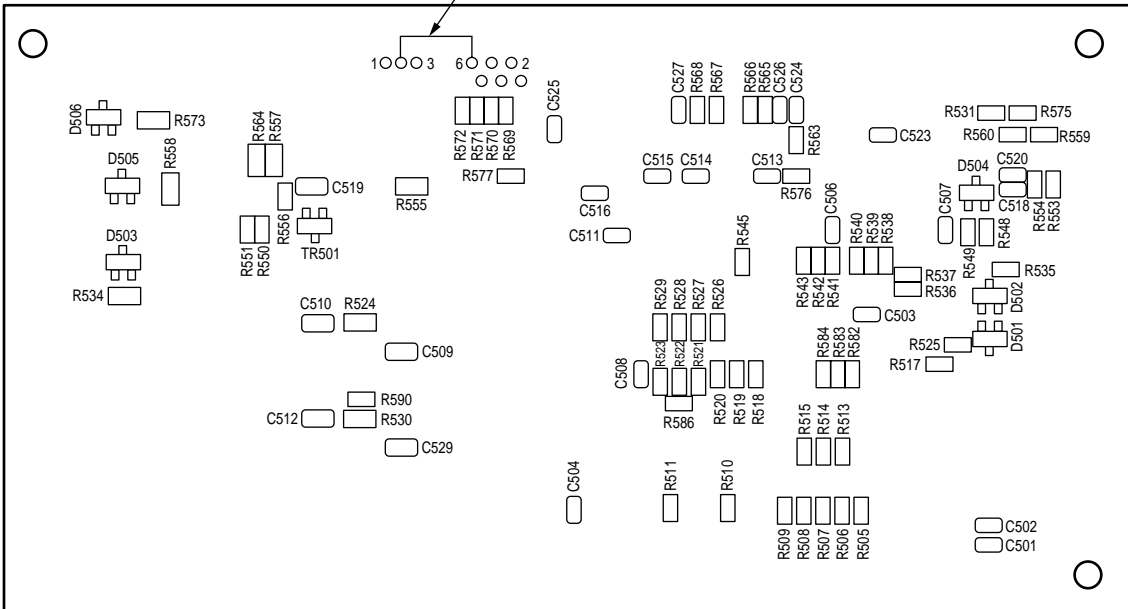
**V7X-PWB (Option Control PWB) C5300/C5100
(41768408-5/5)**

REF. NO.	SYMBOL	TYPE/NAME	PART NO.	Q'TY	REMARKS
52					
53		DICF-28CS-E Socket-IC	245A1221P0280	1	
54					
55	F1	429-002WR Fuse -C	5402205S7202	1	



60

61



V7X-PWB (Duplex Control PWB) C5300/C5100
(41768409-1/5)

**V7X-PWB (Duplex Control PWB) C5300/C5100
(41768409-2/5)**

REF. NO.	SYMBOL	TYPE/NAME	PART NO.	Q'TY	REMARKS
1	D4, D501, D504	SS100MA80VACP D-Signal (CP)	611A0000N0001	3	
2	D3, D5, D502, D503, D505, D506	SS100MA80VKCP D-Signal (CP)	611A0000N0002	6	
3	D1	SHORT WIRE	TA-0.6	1	L=55mm P=15.0mm
4	D2	OR-Rectifying DI -Q	40401401	1	
5					
6	R551	CR/RK73H/ERJ/MCRF133 RES-MET RN -C	3235003F0133	1	
7	R556	CR/RK73H/ERJ/MCRF681 RES-MET RN -C	3235003F0681	1	
8	R550	CR/RK73H/ERJ/MCRF392 RES-MET RN -C	3235003F0392	1	
9	R10~R13, R517, R525, R531, R535, R548, R549, R554, R559, R565, R568	CR/RK73K/ERJ/MCRJ102 RES-MET RN -C	3235003J0102	14	
10	R38, R511, R519~R523, R526~R529, R536~R543, R569~R571	CR/RK73K/ERJ/MCRJ103 RES-MET RN -C	3235003J0103	22	
11	R31	CR/RK73K/ERJ/MCRJ222 RES-MET RN -C	3235003J0222	1	
12	R505~R510, R513~R515, R518	CR/RK73K/ERJ/MCRJ330 RES-MET RN -C	3235003J0330	10	
13	R553, R560, R566, R567, R572	CR/RK73K/ERJ/MCRJ473 RES-MET RN -C	3235003J0473	5	
14	R36, R37, R563, R590	CR/RK73K/ERJ/MCRJ512 RES-MET RN -C	3235003J0512	4	
15	R5, R7, R534, R557, R564	RM73B2A202J RES RN (CP)	323A5003J0202	5	
16	R555	RM73B2A272J RES RN (CP)	323A5003J0272	1	
17	R524, R530	RM73B2A333J RES RN (CP)	323A5003J0333	2	

**V7X-PWB (Duplex Control PWB) C5300/C5100
(41768409-3/5)**

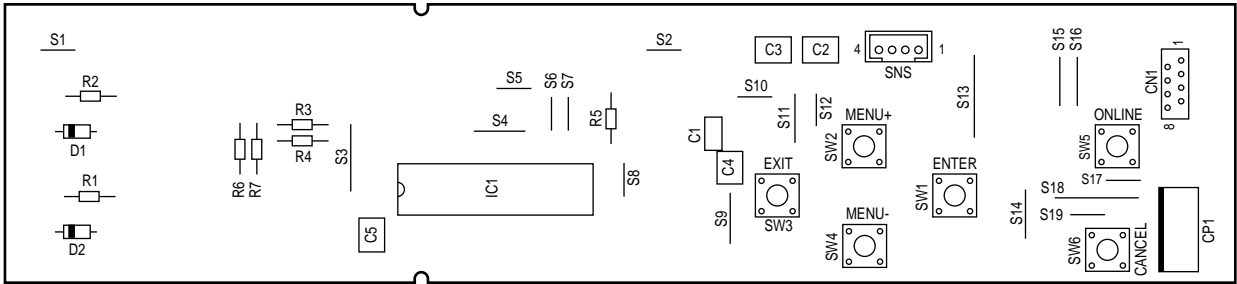
REF. NO.	SYMBOL	TYPE/NAME	PART NO.	Q'TY	REMARKS
18	R8, R558	RM73B2A392J RES RN (CP)	323A5003J0392	2	
19	R2, R35, R573	2125JPW RN RESISTOR (CP)	323A5003P0001	3	
20	R1, R6	RNS1-0.51ohmJ RES RS	324A1012J0518	2	
21	R26, R33, R34, R545, R575-R577, R582-R584, R586	CR/RK73Z/ERJ/MCRJ-0V RES-Zero ohm -C	3255003P0001	11	
22					
23	C3, C7, C506, C507, C513-C516, C518, C526, C527	GRM/UMK/MCH/680CH CAP-Ceramic -C	3033003C0680	11	
24	C503, C504, C508, C511, C520, C523-C525	GRM/ TMK/ MCH/ 104Z 25V CAP-Ceramic -C	3036003Z0104	8	
25	C501, C502	GRM/ TMK/ MCH/ 105Z 10V CAP-Ceramic -C	3036003Z0105	2	
26	C519	CC2012SL1H101J 50V CAP-CC (CP)	303A3007K0101	1	
27	C510, C512	CC2012SL1H102J 50V CAP-CC (CP)	303A3007K0102	2	
28	C509, C529	CK2012F1H104Z 50V CAP-CK (CP)	303A6008Z3104	2	
29					
30	CP2	UVX/SME-16VB-10-0A CAP-Alum -P	3041103C1100	1	
31	CP1	KMG50VB-47M 50V CAP-CE 47μF	304A1164H1470	1	
32					
33	IC8	SN74LS38NS Digital IC-BIP (SO)	700A0550N0038	1	
34	IC5	74HC00FP Digital IC-MOS (SO)	702A1703N0000	1	

**V7X-PWB (Duplex Control PWB) C5300/C5100
(41768409-4/5)**

REF. NO.	SYMBOL	TYPE/NAME	PART NO.	Q'TY	REMARKS
35	IC6	74HC244FP Digital IC-MOS (SO)	702A1703N0244	1	
36	IC7	74HC373FP Digital IC-MOS (SO)	702A1703N0373	1	
37	IC9	TC7S02F Digital IC-MOS (CP)	702A3225N0006	1	
38	IC3, IC15	A3955SLBTR Analog-BIPLIN -B	7201826M0002	2	
39	IC4	PST592D-2 BIPLIN-IC	720A4037M0015	1	
40	IC2	MSM65X512A-GS-2K CPU-MOS (ROM) -F	8530195N0001	1	
41					
42	TR4	2SA1338/2SB1198KT TR-PNP/H -C	6001003N0002	1	
43	TR8	2SA1248 PNP-HF-TR	600A1132M0001	1	
44	TR2, TR7	2SB1123 PNP-LF-TR (CP)	601A1032N0002	2	
45	TR1, TR5, TR6, TR501	DTC124EKAT146 TR-NPN/H -C	6021035N0004	4	
46	TR3	DTC114EKA NPN-HF-TR (CP)	602A1035N0005	1	
47					
48	GDDC	175487-2 Connector-PCB	2244005P0020	1	
49	SNS2	175487-3 Connector-PCB	2244005P0030	1	
50	MOTOR	B4B-PH-K-S Connector-PC	224A3529P0040	1	
51	SNS0	175487-6 Connector-PCB -	2244005P0060	1	

**V7X-PWB (Duplex Control PWB) C5300/C5100
(41768409-5/5)**

REF. NO.	SYMBOL	TYPE/NAME	PART NO.	Q'TY	REMARKS
52	MAIN1	1-175487-3 Connector-PCB -	2244005P0130	1	
53	CL1	B2B-PH-K-Y Connector-PCB	224A3529P0022	1	
54	CL2	B2B-PH-K-S Connector-PC	224A3529P0020	1	
55	SNS1	B6B-PH-K-S Connector-PC	224A3529P0060	1	
56					
57	OSC1	CSTLA10M0T55 OSC-Ceramic	381A1045B0014	1	
58	F1	429-002WR Fuse -C	5402205S7202	1	
59					
60		DICF-28CS-E Socket-IC	245A1221P0280	1	
61		WIRE	LY-6507-1-GN	1	L=12.0mm



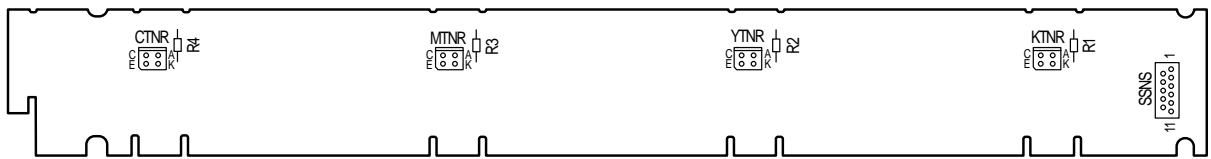
**RSP-PWB (Control Panel PWB) C5300/C5100
(41938501-1/3)**

**RSP-PWB (Control Panel PWB) C5300/C5100
(41938501-2/3)**

REF. NO.	SYMBOL	TYPE/NAME	PART NO.	Q'TY	REMARKS
1	R7	NAT1/4/RD16S-104J RES -Q	3211003J0104	1	
2	R2~R5	NAT1/4/RD16S-201J RES -Q	3211003J0201	4	
3	R1	NAT1/4/RD16S-301J RES -Q	3211003J0301	1	
4	R6	NAT1/4/RD16S-182J RES -Q	3211003J0182	1	
5					
6	C2~C5	DD104B101K 50V CAP-CK 100pF	302A4011K3101	4	
7	C1	MLRD/FK18/RPEF-104Z CAP-Ceramic -N	3034003Z3104	1	
8	CP1	KME10VB-100 10V CAP-CE 100μF	304A1115A1101	1	
9					
10	IC1	BU6152S Digital IC-MOS	702A4733M0002	1	
11					
12	SW1~SW6	SOR-113HS SW-Pushbutton	205A1165P1000	6	
13					
14	SNS	B4B-PH-K-S Connector-PC	224A3529P0040	1	
15	CN1	08FMN-STK-A Connector-PCB -	2243040P0080	1	
16					
17	D1	SEL6410G Optical source -	6500004M0001	1	

**RSP-PWB (Control Panel PWB) C5300/C5100
(41938501-3/3)**

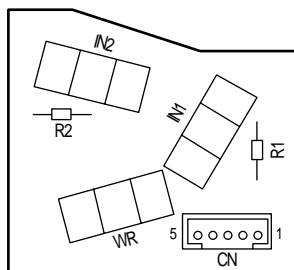
REF. NO.	SYMBOL	TYPE/NAME	PART NO.	Q'TY	REMARKS
18	D2	SEL6810A Optical source	6500229M0001	1	
19					
20	S1, S2, S5-S8, S10, S12, S17, S19	SHORT WIRE	TA-06	10	L=55mm P=5.0mm
21	S4, S9, S11, S14-S16	SHORT WIRE	TA-06	6	L=55mm P=7.5mm
22	S3	SHORT WIRE	TA-06	1	L=55mm P=10.0mm
23	S13, S18	SHORT WIRE	TA-06	2	L=55mm P=12.5mm



**PRD PWB (Toner Low Sensor PWB) C5300/C5100
(41903701-1/2)**

**PRD PWB (Toner Low Sensor PWB) C5300/C5100
(41903701-2/2)**

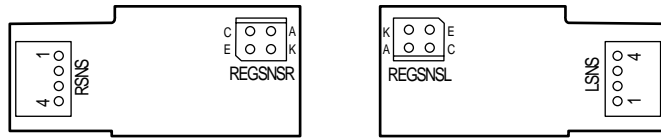
REF. NO.	SYMBOL	TYPE/NAME	PART NO.	Q'TY	REMARKS
1	R1~R4	NAT1/4/RD16S-751J RES-Carbon flm -Q	3211003J0751	4	
2					
3	CTNR, KTNR, MTNR, YTNR	RPR-220 Sensor-optical -	5631001P0002	4	
4					
5	SSNS	11FMN-STK-A Connector-PCB -	2243040P0110	1	



**RSF PWB (Entrance Sensor PWB) C5300/C5100
(41938601-1/2)**

**RSF PWB (Entrance Sensor PWB) C5300/C5100
(41938601-2/2)**

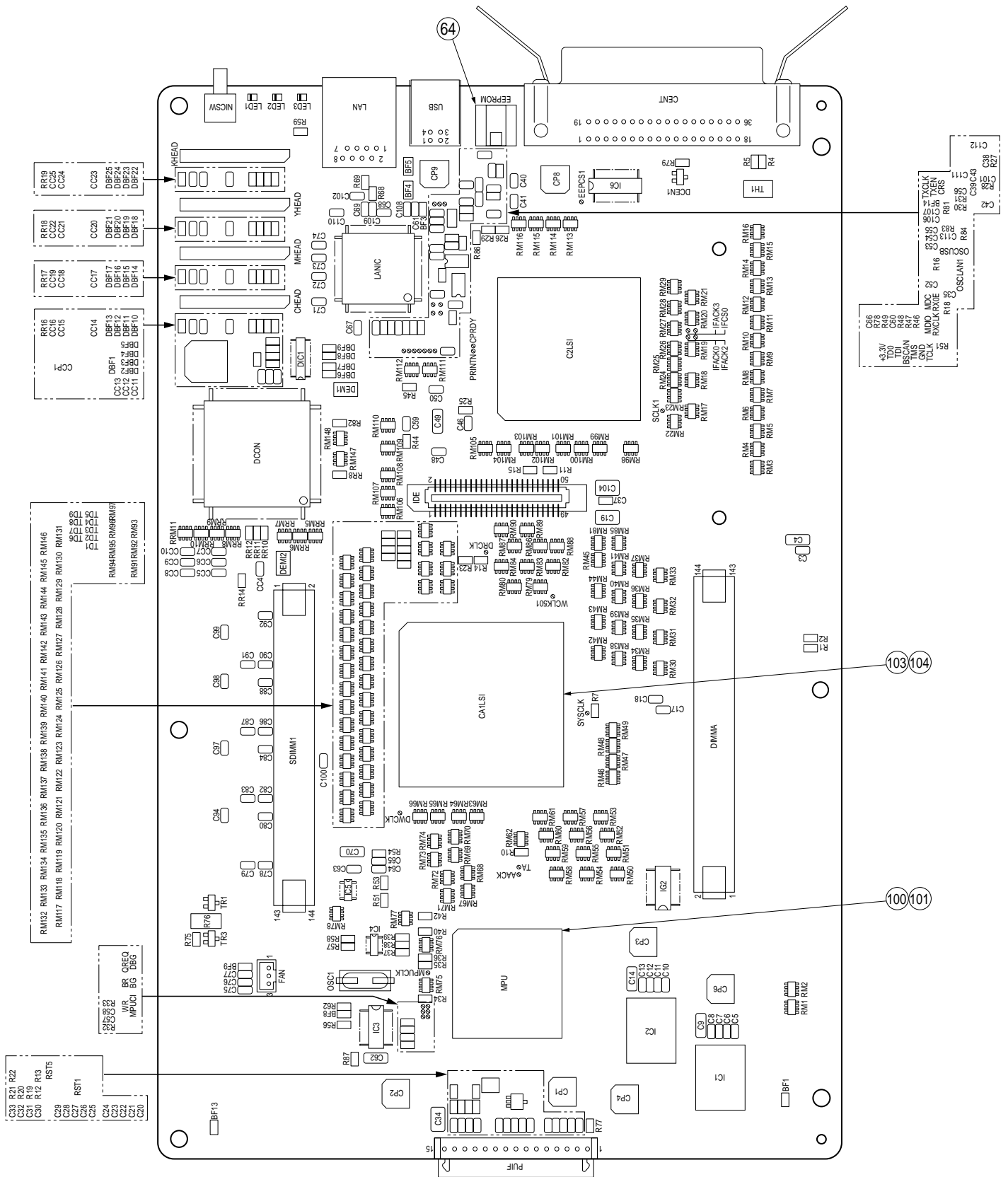
REF. NO.	SYMBOL	TYPE/NAME	PART NO.	Q'TY	REMARKS
1	R1	NAT1/4/RD16S-181J RES-Carbon film -Q	3211003J0181	1	
2	R2	NAT1/4/RD16S-121J RES-Carbon film -Q	3211003J0121	1	
3					
4	CN	B5B-PH-K-S Connector-PCB -	224A3529P0050	1	
5					
6	WR, IN1, IN2	RPI-574/SG-206 Photo-Coupler -	652A0103M0002	3	



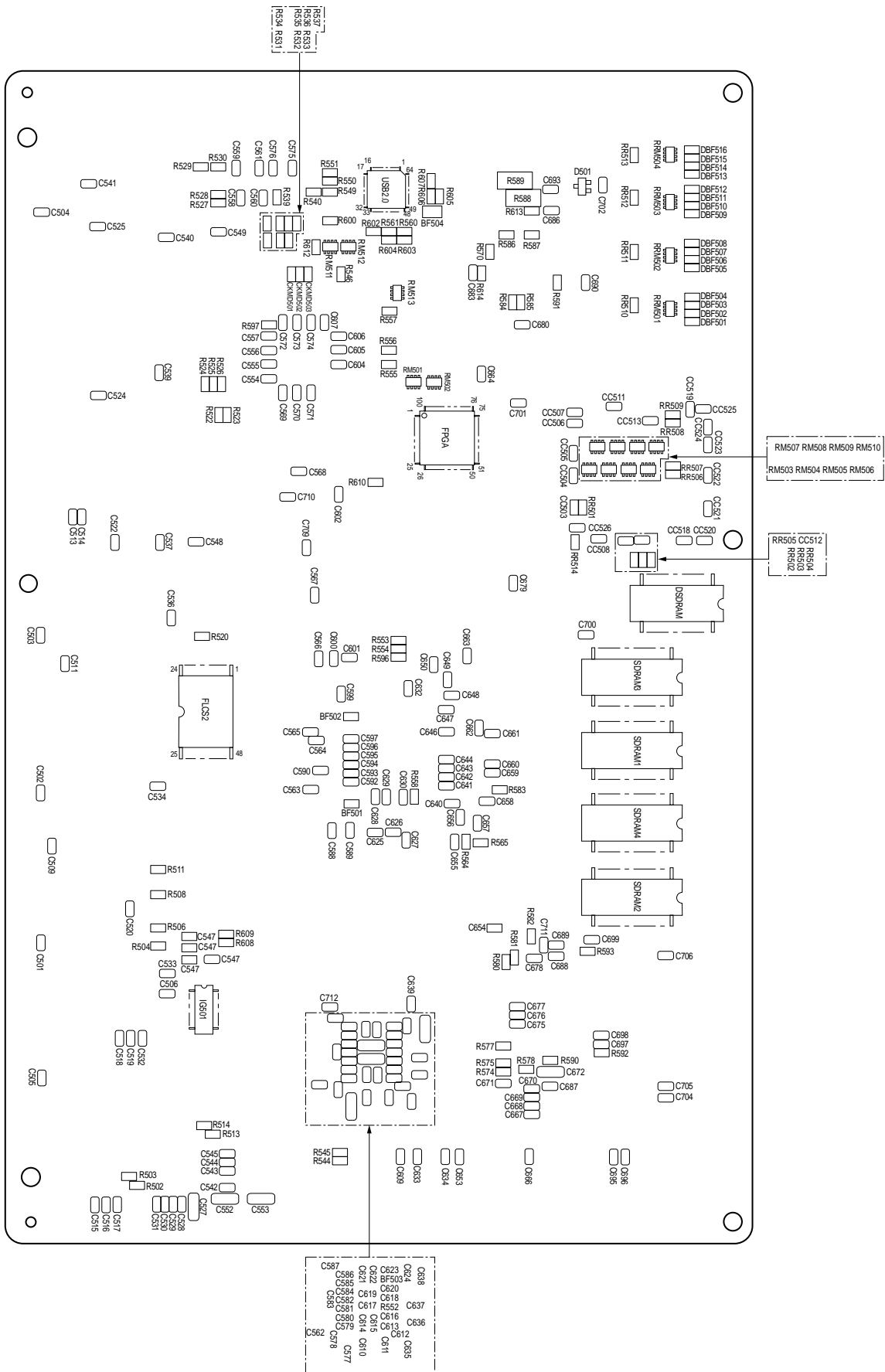
**Z71 PCB (Color Registration Sensor PWB)
(41206401-1/2)**

**Z71 PCB (Color Registration Sensor PWB)
(41206401-2/2)**

REF. NO.	SYMBOL	TYPE/NAME	PART NO.	Q'TY	REMARKS
1	REGSNSL, REGSNSR	RPR-220 Sensor-optical	5631001P0001	2	
2					
3	LSNS, RSNS	S4B-PH-K-S PC Connector	224A3531P0040	2	



OWL-PWB (Main Controller PWB) C5300 (41964401-1/10)



OWL-PWB (Main Controller PWB) C5300 (41964401-2/10)

**OWL-PWB (Main Controller PWB) C5300
(41964401-3/10)**

REF. NO.	SYMBOL	TYPE/NAME	PART NO.	Q'TY	REMARKS
1	D501, DCEN1	SB05-05CP D-Rectifying -C	610A0332N0001	2	
2	R502, R503, R513	CR/RK73H/ERJ/MCRF202 RES-MET RN -C	3235003F0202	3	
3	R606, R607	CR/RK73H/ERJ/MCRF360 RES-MET RN -C	3235003F0360	2	
4	R68, R69	CR/RK73H/MCR/F54R9 RES-MET RN -C	3235003F5499	2	
5	R588, R589	RK73H/CR/MCR-49R9F RES-MET RN -C	3235103F4999	2	
6	R514	CR/RK73K/ERJ/MCRF911 RES-MET RN -C	3235003F0911	1	
7	R31	CR/RK73K/ERJ/MCRF912 RES-MET RN -C	3235003F0912	1	
8	R570	CR/RK73K/MCR/F9311 RES-MET RN -C	3235003F9311	1	
9	R552, R565, R583, RR505	CR/RK73K/ERJ/MCRJ100 RES-MET RN -C	3235003J0100	4	
10	RR506-RR509	CR/RK73K/ERJ/MCRJ101 RES-MET RN -C	3235003J0101	4	
11	R35, R49, R536, R592	CR/RK73K/ERJ/MCRJ102 RES-MET RN -C	3235003J0102	4	
12	R34, R537, R555, R558, R593, R597, R609, RR14, RR501, TD1~TD9	CR/RK73K/ERJ/MCRJ103 RES-MET RN -C	3235003J0103	18	
13	R45	CR/RK73K/ERJ/MCRJ151 RES-MET RN -C	3235003J0151	1	
14	R605	CR/RK73K/ERJ/MCRJ152 RES-MET RN -C	3235003J0152	1	
15	R75	CR/RK73K/ERJ/MCRJ202 RES-MET RN -C	3235003J0202	1	
16	R62	CR/RK73K/ERJ/MCRJ203 RES-MET RN -C	3235003J0203	1	
17	R16, R84, R560, R561	CR/RK73K/ERJ/MCRJ220 RES-MET RN -C	3235003J0220	4	

**OWL-PWB (Main Controller PWB) C5300
(41964401-4/10)**

REF. NO.	SYMBOL	TYPE/NAME	PART NO.	Q'TY	REMARKS
18	RR10~RR12, RR502~RR504	CR/RK73K/ERJ/MCRJ300 RES-MET RN -C	3235003J0300	6	
19	DBF501~DBF516, R7, R13, R19, R20, R37~R39, R44, R53, R56~R58, R517, R523, R527, R528, R531, R539, R545, R546, R553, R554, R564, R581, R582, R596, R612, RR510~RR513	CR/RK73K/ERJ/MCRJ330 RES-MET RN -C	3235003J0330	47	
20	R5, R79, R524, R591	CR/RK73K/ERJ/MCRJ332 RES-MET RN -C	3235003J0332	4	
21	R82, R608	CR/RK73K/ERJ/MCRJ470 RES-MET RN -C	3235003J0470	2	
22	R46~R48	CR/RK73K/ERJ/MCRJ471 RES-MET RN -C	3235003J0471	3	
23	R59, R515, R516, R520, R544, R574, R586	CR/RK73K/ERJ/MCRJ472 RES-MET RN -C	3235003J0472	7	
24	R30	CR/RK73K/ERJ/MCRJ473 RES-MET RN -C	3235003J0473	1	
25	R11, R15, R525, R526	CR/RK73K/ERJ/MCRJ510 RES-MET RN -C	3235003J0510	4	
26	R25, R28, R540, R600, R602~R604	CR/RK73K/ERJ/MCRJ512 RES-MET RN -C	3235003J0512	7	
27	R22, R556, R557	CR/RK73K/ERJ/MCRJ680 RES-MET RN -C	3235003J0680	3	
28	R76	RM73B2H510J RES-MET RN -C	323A5030J0510	1	
29	CKMD501~CKMD503, R1, R2, R4, R10, R12, R14, R18, R21, R23, R26, R27, R29, R32, R33, R36, R40, R42, R51, R54, R77, R78, R83, R86, R87, R504, R506, R508, R511, R522, R529, R530, R532~R535, R549~R551, R575, R577, R578, R580, R584, R585, R587, R590, R610, R613, R614, RR8, RR16~RR19, RR514	CR/RK73Z/ERJ/MCRJ-0V RES-Zero ohm -C	3255003P0001	58	

**OWL-PWB (Main Controller PWB) C5300
(41964401-5/10)**

REF. NO.	SYMBOL	TYPE/NAME	PART NO.	Q'TY	REMARKS
30	RM30~RM45, RM62, RM65, RM66, RM85, RM108~RM110, RM132, RM501	MNR14E0ABJ330 RES-Block -C	3345000J0330	25	
31	RM118~RM123, RM134~RM138, RM147, RM148	CN1J/EXB/BCN10ohmJ RES-Block -C	3345003J0100	13	
32	RM1, RM2, RM18, RM19, RM63, RM64, RM67~RM74, RM76, RM77, RM79, RM80, RM82~RM84, RM91, RM93, RM94, RM96, RM102, RM103, RM106, RM107, RM113	CN1J/EXB/BCN10KohmJ RES-Block -C	3345003J0103	30	
33	RM503~RM510	CN1J/EXB/BCN150ohmJ RES-Block -C	3345003J0151	8	
34	RM78, RM117, RM133, RRM5~RRM7	CN1J/EXB/BCN22ohmJ RES-Block -C	3345003J0220	6	
35	RM511~RM513	CN1J/EXB/BCN33ohmJ RES-Block -C	3345003J0330	3	
36	RM4, RM6, RM7, RM9, RM11, RM12, RM17, RM20~RM24, RM26~RM29, RM46~RM61, RM81, RM99, RM124~RM131, RM139~RM146	CN1J/EXB/BCN47ohmJ RES-Block -C	3345003J0470	50	
37	RM25, RM75, RM98, RM100, RM101, RM104, RM111, RM112, RM114~RM116	CN1J/EXB/BCN5.1KohmJ RES-Block -C	3345003J0512	11	
38	RM3, RM5, RM8, RM10, RM13~RM16, RM86~RM90, RM92, RM95, RM97, RM105, RM502, RRM8~RRM11	CN1J/EXB/BCN68ohmJ RES-Block -C	3345003J0680	22	
39	RRM501~RRM504	CN1J/EXB/BCN0ohm RES-Block -C	3345003P0001	4	
40	C23, C28, C506, C569, C574, C609	GRM/UMK/MCH/101CH CAP-Ceramic -C	3033003C0101	6	

**OWL-PWB (Main Controller PWB) C5300
(41964401-6/10)**

REF. NO.	SYMBOL	TYPE/NAME	PART NO.	Q'TY	REMARKS
41	C3, C5, C10, C24, C29, C33, C37, C77, C501, C505, C517, C531, C532, C537, C539, C545, C564, C565, C570, C572, C581, C588, C590, C592, C597, C614, C627, C628, C630, C633, C634, C647, C650, C654, C655, C657, C661, C668, C671, C698, C701, C706	GRM/UMK/MCH/221CH CAP-Ceramic -C	3033003C0221	42	
42	C101, C576	GRM/UMK/MCH/391CH CAP-Ceramic -C	3033003C0391	2	
43	CC526	GRM/UMK/MCH/680CH CAP-Ceramic -C	3033003C0680	1	
44	C6, C11, C22, C27, C32, C59, C108, C502, C516, C519, C522, C525, C530, C536, C544, C554, C559, C560, C582, C599, C600, C607, C616, C641, C659, C664, C666, C669, C679, C686, C695, C702, C704, CC11	GRM/UMK/MCH/102B 50V CAP-Ceramic -C	3036003K0102	34	
45	C7, C12, C21, C26, C31, C35, C48, C52, C54, C60, C61, C63-C67, C69, C73, C74, C76, C79, C83, C87, C91, C100, C106, C109, C113, C503, C504, C514, C515, C518, C524, C529, C533, C541, C543, C548, C549, C556, C563, C566-C568, C578, C580, C585, C589, C594, C595, C601, C602, C606, C615, C618, C622, C624, C626, C639, C646, C658, C662, C675, C676, C678, C680, C683, C688-C690, C696, C697, C705, C709, C711, CC12, CC16, CC19, CC22, CC25	GRM/UMK/MCH/103B 50V CAP-Ceramic -C	3036003K0103	81	

**OWL-PWB (Main Controller PWB) C5300
(41964401-7/10)**

REF. NO.	SYMBOL	TYPE/NAME	PART NO.	Q'TY	REMARKS
46	C8, C13, C18, C20, C25, C30, C38-C43, C46, C50, C51, C53, C55-C58, C68, C71, C72, C75, C80, C84, C88, C92, C94, C97-C99, C102, C107, C110-C112, C511, C513, C520, C528, C540, C542, C547, C555, C558, C561, C562, C571, C573, C575, C579, C583, C584, C586, C587, C593, C596, C605, C610-C613, C620, C621, C623, C625, C629, C632, C635-C637, C640, C642-C644, C648, C649, C653, C656, C660, C663, C667, C670, C677, C687, C693, C700, C710, CC4-CC10, CC13-CC15, CC17, CC18, CC20, CC21, CC23, CC24, CC503-CC508, CC511-CC513, CC518-CC525	GRM/TMK/MCH/104Z 25V CAP-Ceramic -C	3036003Z0104	122	
47	C17, C78, C82, C86, C90, C509, C534, C557, C604, C699, C712	GRM/LMK/MCH/105Z 10V CAP-Ceramic -C	3036003Z0105	11	
48	C4, C9, C14, C49, C62, C70, C527, C552, C553, C577, C617, C619, C638, C672	GRM31/CM316-106 10V CAP-Ceramic -B	3036203Z0106	14	
49	C19, C34, C104	CM32Y5V475Z25AT 25V CAP-Ceramic -C	3038001Z2475	3	
50	CP1, CP2, CP4, CP6	MVY16VC/CECBT-101M CAP-Alum (CE) -C	3047003C1101	4	
51	CP3, CP8, CP9	PXA4VC150MF60 4V CAP-Alum (CE) -B	3047001G0151	3	
52	IG2	74LVC04NST/FP Digital IC-MOS -S	7022203N3004	1	
53	IC6	SN74LVC161284DGGR Digital IC-MOS -S	7022350N1284	1	
54	IG501	SN74LV08ANSR Digital IC-MOS -S	7022450N3008	1	

**OWL-PWB (Main Controller PWB) C5300
(41964401-8/10)**

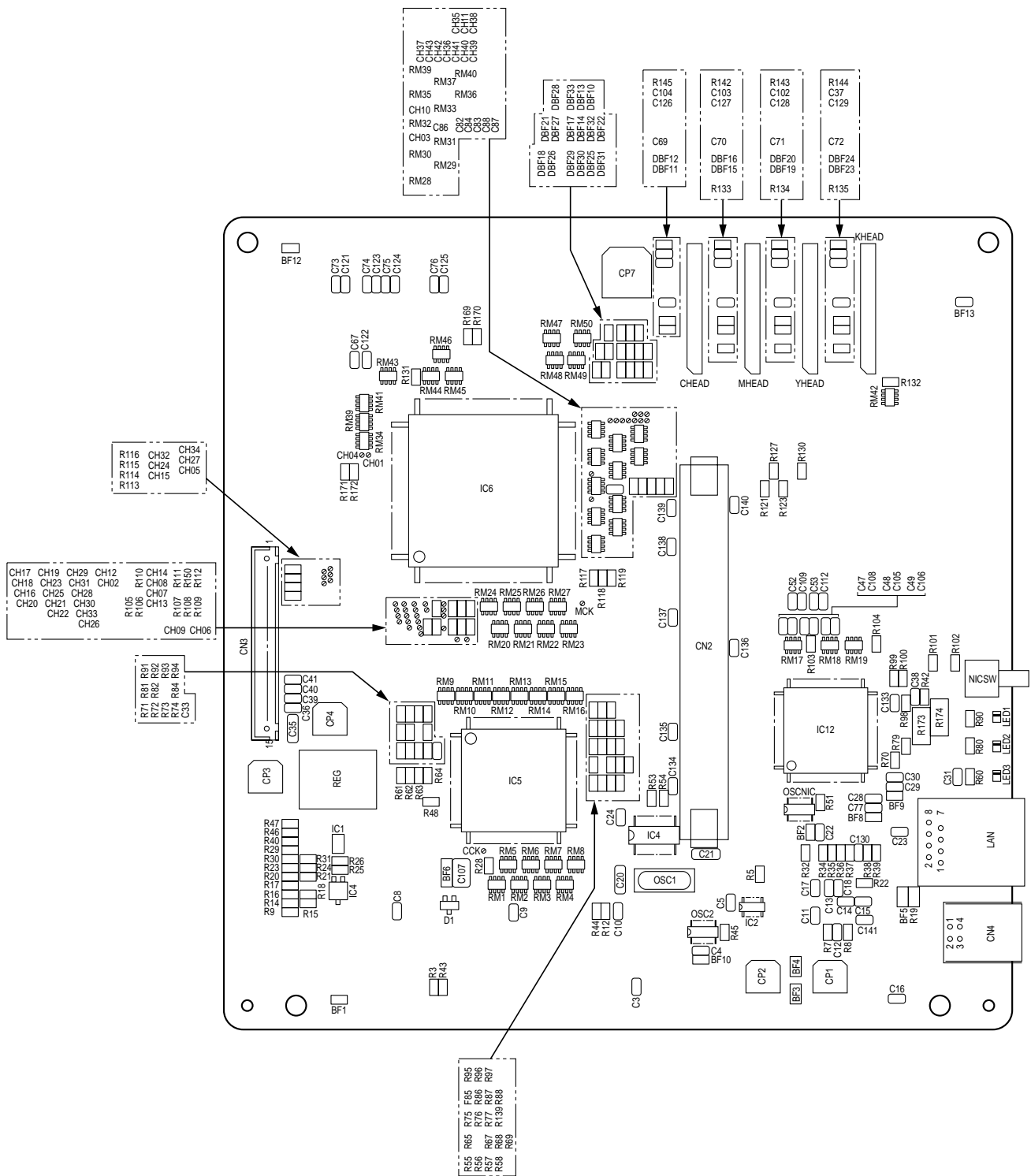
REF. NO.	SYMBOL	TYPE/NAME	PART NO.	Q'TY	REMARKS
55	CA1LSI	UPD85611N7-011-H9 Digital IC-MOS -F	7024923N1171	1	
56	DCON	UPD65454GD-241-LML Digital IC-MOS -F	7024923N1175	1	
57	C2LSI	TC220G64TB-7002 Digital IC-MOS -F	7024925N0013	1	
58	DIC1	DS90LV031ATMX I/F IC-MOS -S	7123053N0004	1	
59	IC1	PQ05VY3H3ZP Analog-BIPLIN -B	7201035N0002	1	
60	IC2	PQ05VY053ZP Analog-BIPLIN -B	7201035N0003	1	
61	RST1	M62733ML-600C Analog-BIPLIN -C	7204022N0002	1	
62	RST5	PST596CNR Analog-BIPLIN -C	7204037N0003	1	
63	DSDRAM	56V16160-10 Memory-MOSDRAM -S	8020003N4616	1	
64		M93C86-WBN6 Memory-MOSEEPR -	8164323M0000	1	
65	FLCS2	PROM-Control-PX714/715	42330501	1	
66	FPGA	LSI2064VE-200LT100 Memory-PLA -F	8181300N0001	1	
67	MPU	IBM25PPC750CXEJP2013 CPU-MOS -F	8510542N0009	1	
68	LANIC	DP83815DVNG CPU-Interface -F	8550053N0002	1	
69	IC5	PI6C2504AQX CPU-Interface -B	8550079N0001	1	
70	IC3	PLL702-01XC-R CPU-Interface -B	8550090N0001	1	
71	IC4	PLL102-05SC-R CPU-Interface -B	8550090N0002	1	

**OWL-PWB (Main Controller PWB) C5300
(41964401-9/10)**

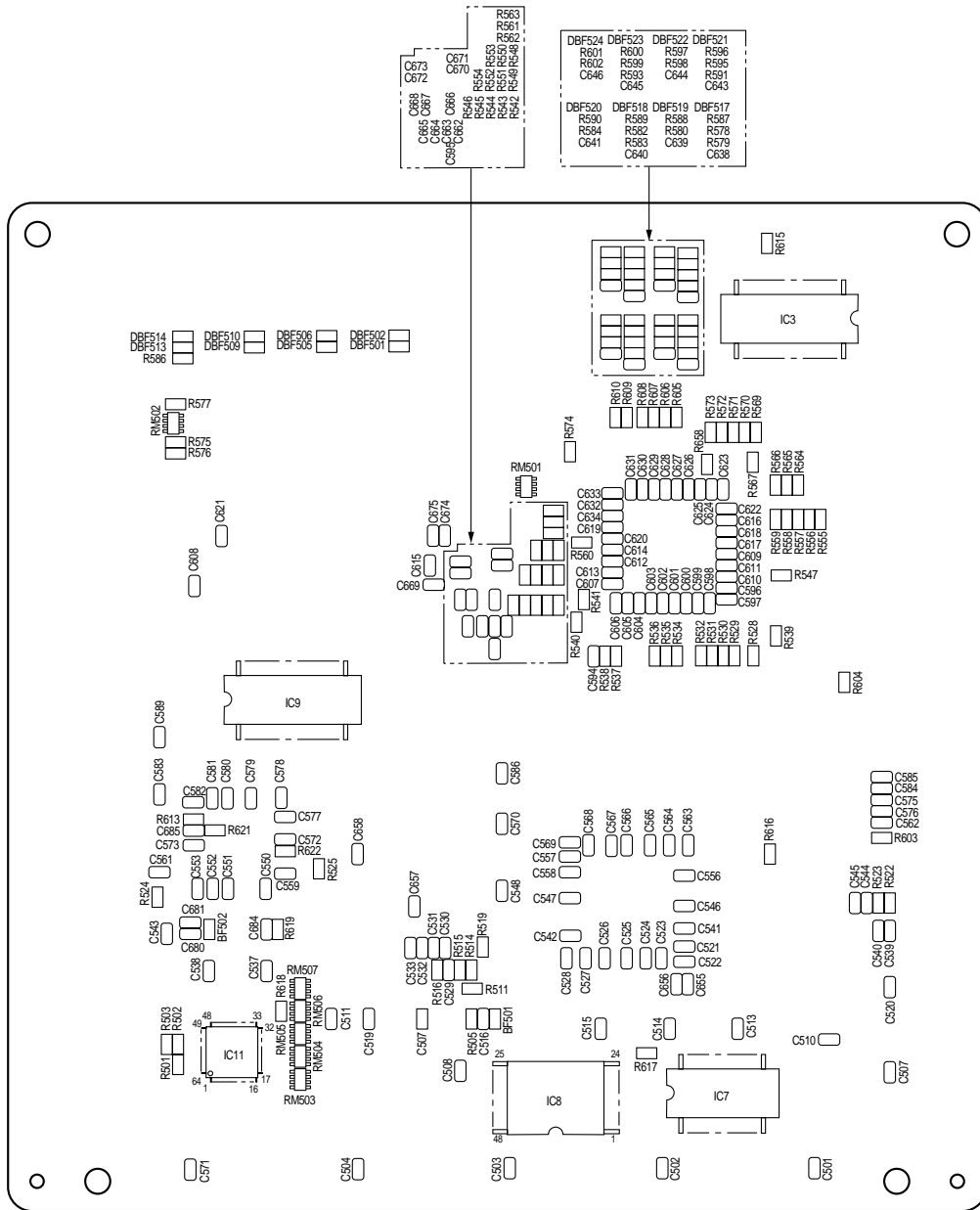
REF. NO.	SYMBOL	TYPE/NAME	PART NO.	Q'TY	REMARKS
72	USB2.0	NET2270 CPU-Interface -F	8550097N0001	1	
73	BF4, BF5	LK21251ROK-T Coil-HF -C	3534101K0109	2	
74	DBF10~DBF25	BLM18AG601SN1D Core- -C	1055002C0001	16	
75	TR3	2SA1338/2SB1198KT TR-PNP/H FREQ -C	6001003N0002	1	
76	TR1	DTC123YK/YKAT146 TR-NPN/H FREQ -C	6021003N0004	1	
77	EEROM	DICF-8CS-E Socket-SEMICON -	245A1221P0080	1	
78	NICSW	SOB-241VS Switch-Push -	2051007P1000	1	
79	CENT	57RE-40360-830B-D29 Connector-SQR -	2201001P0360	1	
80	LAN	RJS1A8T089A Connector-Plug -	2233007P0002	1	
81	USB	DUSB-BRA42-T11 (D2) Connector-PCB -	2243041P0040	1	
82	CHEAD, KHEAD, MHEAD, YHEAD	04 6232 124 008 800 Connector-PCB -B	2243105P0240	4	
83	IDE	8930E-050-178MS-29 Connector-PCB -S	2243106P0500	1	
84	PUIF	15JQ-ST Connector-PCB -	2244100P0150	1	
85	FAN	B3B-PH-K-S Connector-PCB -	224A3529P0030	1	
86	OSC1	HC-49/U03C-14.318MHz OSC-Crystal -C	3801001B0006	1	
87	BF1, BF3, BF8, BF9, BF13, BF14, BF501~BF503	BLM18PG300SN1D Core -C	1055001C0001	9	
88	DEMI1, DEMI2	ACH3218-102-T Core -C	1055013C0001	2	

**OWL-PWB (Main Controller PWB) C5300
(41964401-10/10)**

REF. NO.	SYMBOL	TYPE/NAME	PART NO.	Q'TY	REMARKS
89	BF504, R81	FB-MJ2125HS420-T Core -C	1055020C0001	2	
90	DBF1-DBF9	MMZ1608Y152BT Filter-PW line -C	3775004P0011	9	
91	TH1	miniSMDC100-02 FUSE -C	5400500L0102	1	
92	LED2, LED3	SEL6410G/ PHOTO-LED -	6500003M0003	2	
93	LED1	SEL6910D/ PHOTO-LED -	6500003M0006	1	
94	SDRAM1-SDRAM4	K4S281632D-TC75 Memory-MOSDRAM -S	8020073N7601	4	
95	DIMMA, SDIMM1	29-6403-144-121-856 Socket-SEMICON -S	2451006P0144	2	
96	CCP1	PXA6.3VC470MJ80 CAP-Alum (CE) 6.3V -B	3047001J0471	1	
97	OSCLAN1	K30-3C0-SE25.0000MR OSC-Crystal -C	3846001B0001	1	
98	OSCUSB	FCXO/K30-30.0000MHZ OSC-Crystal -C	3846003C0001	1	
99					
100		16PC26/OSH-1627 Heat sink -	1611003P0001	1	
101		Plate-Tension (A)	41744901	1	
102					
103		OSH-2043-L43.2-T Heat sink -	1611006P0002	1	
104		Plate-Tension (B)	42212401	1	



ARC-PWB (Main Controller PWB) C5100
(41939101-1/8)



**ARC-PWB (Main Controller PWB) C5100
(41939101-2/8)**

**ARC-PWB (Main Controller PWB) C5100
(41939101-3/8)**

REF. NO.	SYMBOL	TYPE/NAME	PART NO.	Q'TY	REMARKS
1	D1	SS100MA80VSCP D-Signal -C	611A0000N0003	1	
2	R587, R589, R596, R600	CR/RK73H/ERJ/MCRF151 RES-MET RN -C	3235003F0151	4	
3	R522, R523	CR/RK73H/ERJ/MCRF202 RES-MET RN -C	3235003F0202	2	
4	R579, R580, R583, R584, R591, R593, R598, R602	CR/RK73H/ERJ/MCRF221 RES-MET RN -C	3235003F0221	8	
5	R501, R503	CR/RK73H/ERJ/MCRF360 RES-MET RN -C	3235003F0360	2	
6	R70, R79	CR/RK73H/MCR/F54R9 RES-MET RN -C	3235003F5499	2	
7	R578, R582, R588, R590, R595, R597, R599, R601	CR/RK73H/ERJ/MCRF681 RES-MET RN -C	3235003F0681	8	
8	R22	CR/RK73H/ERJ/MCRF912 RES-MET RN -C	3235003F0912	1	
9	R131, R554, R618	CR/RK73K/ERJ/MCRJ101 RES-MET RN -C	3235003J0101	3	
10	R16, R25, R525	CR/RK73K/ERJ/MCRJ102 RES-MET RN -C	3235003J0102	3	
11	R8, R14, R15, R21, R24, R31, R573	CR/RK73K/ERJ/MCRJ103 RES-MET RN -C	3235003J0103	7	
12	R516	CR/RK73K/ERJ/MCRJ123 RES-MET RN -C	3235003J0123	1	
13	R105, R502, R534, R548, R555	CR/RK73K/ERJ/MCRJ152 RES-MET RN -C	3235003J0152	5	
14	R511	CR/RK73K/ERJ/MCRJ203 RES-MET RN -C	3235003J0203	1	
15	R20, R35, R38, R61~R64, R71~R73, R91~R94, R104, R117~R119, R538~ R540, R559, R560, R567, R568	CR/RK73K/ERJ/MCRJ220 RES-MET RN -C	3235003J0220	25	
16	R524	CR/RK73H/MCR/F9311 RES-MET RN -C	3235003F9311	1	

**ARC-PWB (Main Controller PWB) C5100
(41939101-4/8)**

REF. NO.	SYMBOL	TYPE/NAME	PART NO.	Q'TY	REMARKS
17	R26, R77, R114, R115, R171, R172, R561~R563, R569~R572	CR/RK73K/ERJ/MCRJ330 RES-MET RN -C	3235003J0330	13	
18	R139, R541	CR/RK73K/ERJ/MCRJ331 RES-MET RN -C	3235003J0331	2	
19	R5	CR/RK73K/ERJ/MCRJ332 RES-MET RN -C	3235003J0332	1	
20	DBF27, DBF28, DBF31, DBF33, R45, R51, R99, R100, R103, R106, R107, R109~R112, R132, R150, R532, R547, R553, R575~ R577	CR/RK73K/ERJ/MCRJ470 RES-MET RN -C	3235003J0470	23	
21	R60, R80, R90	CR/RK73K/ERJ/MCRJ471 RES-MET RN -C	3235003J0471	3	
22	R102, R514, R515	CR/RK73K/ERJ/MCRJ472 RES-MET RN -C	3235003J0472	3	
23	R39	CR/RK73K/ERJ/MCRJ473 RES-MET RN -C	3235003J0473	1	
24	R542~R546, R549, R551, R552	CR/RK73K/ERJ/MCRJ510 RES-MET RN -C	3235003J0510	8	
25	R7, R32, R34, R36, R37, R43, R44, R48, R55~R57, R65, R68, R69, R74, R76, R81, R84~R87, R95, R96, R101, R528, R537, R550, R556~R558, R564, R574, R613, R615, R616	CR/RK73K/ERJ/MCRJ512 RES-MET RN -C	3235003J0512	35	
26	DBF10, DBF14, DBF18, DBF22, R54, R108, R133~ R135, R565, R566, R586	CR/RK73K/ERJ/MCRJ680 RES-MET RN -C	3235003J0680	12	
27	R173, R174	RK73H/CR/MCR-49R9F RES-MET RN -C	3235103F4999	2	

**ARC-PWB (Main Controller PWB) C5100
(41939101-5/8)**

REF. NO.	SYMBOL	TYPE/NAME	PART NO.	Q'TY	REMARKS
28	DBF13, DBF17, DBF21, DBF25, DBF26, DBF29, DBF30, DBF32, R3, R9, R12, R17, R18, R23, R28~R30, R40, R42, R46, R47, R53, R58, R67, R75, R82, R88, R97, R98, R113, R116, R121, R123, R127, R130, R142~R145, R169, R170, R505, R507, R519, R529~R531, R535, R536, R603~R610, R617, R619, R621, R622	CR/RK73Z/ERJ/MCRJ-0V RES-Zero ohm -C	3255003P0001	61	
29	RM503~RM507	CN1J/EXB/BCN100ohmJ RES-Block -C	3345003J0101	5	
30	RM44~RM46	CN1J/EXB/BCN22ohmJ RES-Block -C	3345003J0220	3	
31	RM1~RM27, RM34, RM37~RM39, RM41~RM43, RM501, RM502	CN1J/EXB/BCN47ohmJ RES-Block -C	3345003J0470	36	
32	RM33, RM35, RM36, RM40	CN1J/EXB/BCN5.1KohmJ RES-Block -C	3345003J0512	4	
33	RM28~RM32, RM47~RM50	CN1J/EXB/BCN68ohmJ RES-Block -C	3345003J0680	9	
34					
35	C82~C84, C86~C88, C662~C675	GRM/UMK/MCH/100CH CAP-Ceramic -C	3033003C0100	20	
36	C584, C638~C641, C643~C646	GRM/UMK/MCH/101CH CAP-Ceramic -C	3033003C0101	9	
37	C41, C502, C507, C508, C510, C519, C532, C538, C543, C548, C571, C585, C608	GRM/UMK/MCH/221CH CAP-Ceramic -C	3033003C0221	13	
38	C9, C33, C130, C133, C594	GRM/UMK/MCH/391CH CAP-Ceramic -C	3033003C0391	5	

**ARC-PWB (Main Controller PWB) C5100
(41939101-6/8)**

REF. NO.	SYMBOL	TYPE/NAME	PART NO.	Q'TY	REMARKS
39	BF13, C16, C28, C30, C31, C38, C40, C121~C125, C503, C511, C514, C533, C570, C575, C583, C595, C598, C599, C601, C603~C606, C609~C612, C614, C617~C620, C623~C627, C630, C631, C634, C681	GRM/UMK/MCH/102B 50V CAP-Ceramic -C	3036003K0102	45	
40	C4, C22, C37, C39, C47~C49, C52, C53, C102~C106, C108, C109, C112, C126~C129, C134, C135, C137~C140, C501, C504, C513, C515, C520, C537, C576, C586, C589, C615, C621, C656, C684	GRM/UMK/MCH/103B 50V CAP-Ceramic -C	3036003K0103	40	
41	C3, C5, C8, C10~C15, C17, C18, C23, C24, C29, C36, C67, C69~C77, C136, C141, C516, C521~C531, C539~C542, C544~C547, C550~C553, C556~C559, C561~C569, C572, C573, C577~C582, C596, C597, C600, C602, C607, C613, C616, C622, C628, C629, C632, C633, C655, C658, C680, C685	GRM/TMK/MCH/104Z 25V CAP-Ceramic -C	3036003Z0104	88	
42	C657	GRM/LMK/MCH/105Z 10V CAP-Ceramic -C	3036003Z0105	1	
43	C20, C21, C35	GRM31/CM316-106 10V CAP-Ceramic -B	3036203Z0106	3	
44	C107	CM32Y5V475Z25AT 25V CAP-Ceramic -C	3038001Z2475	1	
45	CP1, CP2	MVY16VC220MF80 16V CAP-Alum (CE) -B	3047000C1221	2	
46	CP7	PXA6.3VC470MJ80 6.3V CAP-Alum (CE) -B	3047001J0471	1	
47	CP3, CP4	MVY16VC/CECBT-101M 16V CAP-Alum (CE) -C	3047003C1101	2	
48	REG	PQ05VY3H3ZP Analog-BIPLIN -B	7201035N0002	1	

**ARC-PWB (Main Controller PWB) C5100
(41939101-7/8)**

REF. NO.	SYMBOL	TYPE/NAME	PART NO.	Q'TY	REMARKS
49	IC14	M62733ML-600C Analog-BIPLIN -C	7204022N0002	1	
50	IC3	56V16160-10 Memory-MOSDRAM -S	8020003N4616	1	
51	IC7	MR27V1602F-1C8TP Memory-MOSEPRO -S	8154628N0001	1	
52	IC8	PROM-Control-PX714	42330502	1	
53	IC12	DP83815DVNG CPU-Interface -F	8550053N0002	1	
54	IC4	PLL702-01XC-R CPU-Interface -B	8550090N0001	1	
55	IC11	NET2270 CPU-Interface -F	8550097N0001	1	
56	BF3, BF4	LK21251ROK-T Coil-HF -C	3534101K0109	2	
57	NICSW	SOB-241VS Switch-Push -	2051007P1000	1	
58	LAN	RJS1A8T089A Connector-Plug -	2233007P0002	1	
59	CN4	DUSB-BRA42-T11 (D2) Connector-PCB -	2243041P0040	1	
60	CHEAD, KHEAD, MHEAD, YHEAD	04 6232 124 008 800 Connector-PCB -B	2243105P0240	4	
61	CN3	B15B-XH-A Connector-PCB -	2243501P0150	1	
62	OSCNIC	K30-3C0-SE25.0000MR OSC-Crystal -C	3846001B0001	1	
63	OSC1	HC-49/U03C-14.318MHz OSC-Crystal -C	3801001B0006	1	
64	BF1, BF2, BF8-BF10, BF12, BF501, BF502, DBF517-DBF524	BLM18PG300SN1D Core- -C	1055001C0001	16	

**ARC-PWB (Main Controller PWB) C5100
(41939101-8/8)**

REF. NO.	SYMBOL	TYPE/NAME	PART NO.	Q'TY	REMARKS
65	DBF11, DBF12, DBF15, DBF16, DBF19, DBF20, DBF23, DBF24, DBF501, DBF502, DBF505, DBF506, DBF509, DBF510, DBF513, DBF514	BLM18AG601SN1D Core- -C	1055002C0001	16	
66	BF6	BLM31AF700SN1L Core- -C	1055004C0002	1	
67	BF5, R19	FB-MJ2125HS420-T Core- -C	1055020C0001	2	
68	LED2, LED3	SEL6410G/ PHOTO-LED -	6500003M0003	2	
69	LED1	SEL6910D/ PHOTO-LED -	6500003M0006	1	
70	IC5	PowerPC405PS-200MHz CPU-MOS -F	8510442N0001	1	
71	IC9	OR-Memory-MOSDRAM-S	42392101	1	
72	SDIMMS	29-6403-144-121-856 Socket-SEMICON-S	2451006P0144	1	
73	IC6	MHM2037-001 (ARBOKS) Digital IC-MOS-F	7024975N0001	1	
74	IC2	M24C32-WMN6T Memory-MOSEEPR-B	8165322N0000	1	
75	IC1	TC7SH08FU Digital IC-MOS-C	702A3225N0042	1	
76	OSC2	FCX0/K30-30.0000MHZ OSC-Crystal -C	3846003C0001	1	